

[Skip to content](#)

Manuals+

User Manuals Simplified.



PULSAR Helion 2 XP50 Pro Thermal Imaging Scopes User Guide

April 20, 2022 April 20, 2022 [Leave a comment on PULSAR Helion 2 XP50 Pro Thermal Imaging Scopes User Guide](#)

[Home](#) » [Pulsar](#) » PULSAR Helion 2 XP50 Pro Thermal Imaging Scopes User Guide

Contents [hide](#)

[1 PULSAR Helion 2 XP50 Pro Thermal Imaging Scopes](#)

[2 Operation](#)

[3 Components and Controls](#)

[4 Buttons Operation](#)

[5 Battery pack charging](#)

[6 Installing Battery Pack](#)

[7 Specifications](#)

[8 Package Contents](#)

[9 Documents / Resources](#)

[9.1 Related Manuals / Resources](#)



PULSAR Helion 2 XP50 Pro Thermal Imaging Scopes

Attention

Helion thermal imaging monoculars require a license if exported outside your country. Electromagnetic compliance. This product complies with EU Standard EN 55032:2015, Class A.

Warning

The operation of this equipment in a residential environment could cause radio interference. Detailed product description and complete user manual are available for download on our official web page: www.pulsar-nv.com/glo/products/33/thermal-imaging-scopes/helion-version-2/

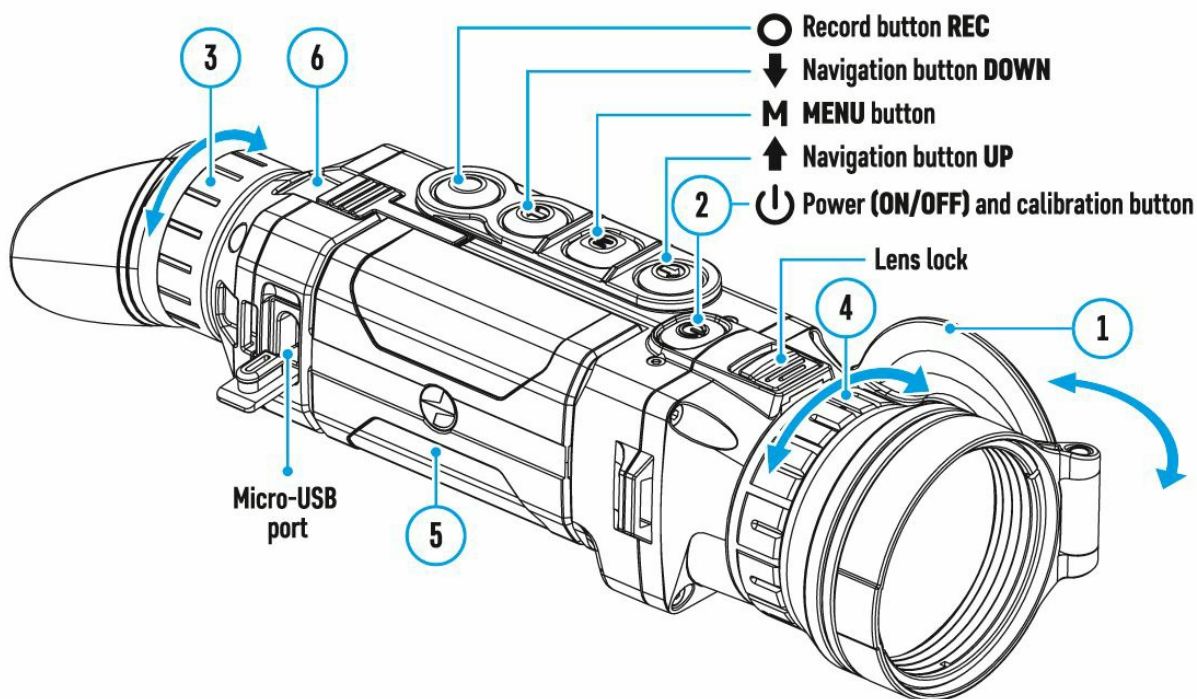
Operation

Powering on and image setup

- Open the lens cover (1).
- Press the ON/OFF button (2) briefly to power the device on.
- Adjust the sharp resolution of the symbols on the display by rotating the dioptre adjustment ring of the eyepiece (3).
- Rotate the lens focus ring (4) to focus on the visual target.
- Enter the main menu with a long press of the Menu button and select the desired calibration mode: manual (M), semi-automatic (SA) or automatic (A).

- Press the ON/OFF button (2) briefly (when the calibration mode is SA or M) to calibrate the image. Close the lens cover for manual calibration.
- Select the desired operating mode (Forest / Rocks / Identification / User mode) by briefly pressing the UP button. User mode allows to change and save user brightness and contrast settings.
- Select the appropriate color palette by long pressing the UP button.
- Adjust the brightness, display contrast, smooth digital zoom (see the "Quick menu functions" section of the full version of the manual.).
- To change the lens, slide the lens lock toward the power button, rotate the lens toward the power supply, and carefully remove the lens. Install the new lens by sliding the lock back, rotate the lens toward the control buttons until it clicks. Configure the image as described above. To display the magnified image properly, configure the lens type in the basic settings of the device(Lens selection menu item).
- Upon completion of operation turn the device off by long-pressing the ON/OFF button (2).

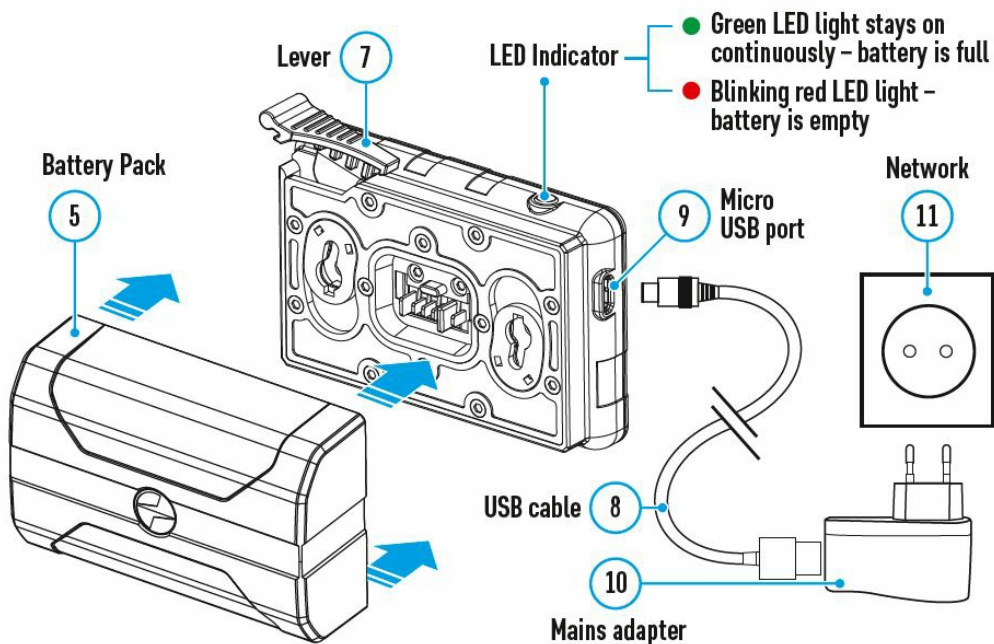
Components and Controls



Buttons Operation

Button Status	Device	First Next press	Long short press	short press
Button ON/OFF	Device switched off	Turning on device	Sensor calibration	Switch display off/ device off
	Display off	Turning on display	Sensor calibration	Switch device off
Navigation button UP	Device on	Sensor calibration		
	Normal (observation)	Toggle observation modes		Switching color palettes
	Main menu	Navigate upwards/ rightwards		—
MENU button	Quick Access menu	Parameter change		—
	Normal (observation)	Enter the quick access menu		Access main menu
	Main menu	Confirm selection		Exit submenu without confirming selection/ exit the menu (go to observation mode)
Navigation button DOWN	Quick Access menu	Switching between quick access menu items		
	Normal (observation)	Discrete zoom adjustment		Switch PiP on/ off
	Main menu	Navigation downwards/ leftwards		—
Record button REC	Quick Access menu	Parameter change		—
	Video	Start video recording	Pause/ resume video recording	Video recording off/Switch to video mode
	Photo	Photography		Switch to video mode

Battery pack charging



- Lift up the lever (7) of the charger.
- Install the Battery Pack (5) into the charger as far as it can go.

Obsah je uzamčen

Dokončete, prosím, proces objednávky.

Následně budete mít přístup k celému dokumentu.



Proč je dokument uzamčen? Nahněvat Vás rozhodně nechceme. Jsou k tomu dva hlavní důvody:

- 1) Vytvořit a udržovat obsáhlou databázi návodů stojí nejen spoustu úsilí a času, ale i finanční prostředky. Dělali byste to Vy zadarmo? Ne*. Zakoupením této služby obdržíte úplný návod a podpoříte provoz a rozvoj našich stránek. Třeba se Vám to bude ještě někdy hodit.

**) Možná zpočátku ano. Ale vězte, že dotovat to dlouhodobě nelze. A rozhodně na tom nezbohatneme.*

- 2) Pak jsou tady „roboti“, kteří se přiživují na naší práci a „vysávají“ výsledky našeho úsilí pro svůj prospěch. Tímto krokem se jim to snažíme překazit.

A pokud nemáte zájem, respektujeme to. Urgujte svého prodejce. A když neuspějete, rádi Vás uvidíme!