

**GB Mini Gas Stove**

**IMPORTANT:** Read these instructions carefully and familiarize yourself with the product before fitting the appliance to the gas cartridge. Review the instructions periodically to maintain awareness. Retain these instructions for future reference.

**USE OUTDOORS ONLY!**

NEVER cover the stove (gas cartridge) with wind shields, rocks or similar which may cause "over heating" and damage the stove and cartridge. Overheating a gas cartridge by this means high danger.

**INTRODUCTION**

- This appliance shall only be used with the Butane cartridges as defined in EN417.
- It may be hazardous to attempt to fit other types of gas containers.
- Gas consumption: 260 g/h approx. 3.5 kW of butane at a pressure of 1 bar.
- This gas appliance conforms to the provisions.
- This appliance maximal load 2 kgs with 160 mm diameter pot.

**SAFETY INFORMATION**

- Ensure the appliance seal (O-ring) (1) are in place and in good condition before connecting to the gas cartridge.
- Do not use the appliance if it has damaged or worn seals.
- The appliance should be used outdoors only.
- The appliance must be used in a well ventilated location for the supply of combustion air and to avoid the dangerous building up of un-burnt gases.
- The appliance must be operated on a horizontal surface.
- Make sure that no inflammable materials are near the gas appliance, section 5 and 6.
- Always change or fit the gas cartridge in a safe place, only outside, away from any source of ignition such as naked flames, pilot lights, electric fires and away from other people.
- If you have to check the gas soundness of the appliance, do this outdoors.
- Do not check for leaks with a naked flame. Use soapy water only, for example.
- Never use the appliance if it has damaged or worn seals.
- Never use an appliance which is leaking, damaged or which does not operate properly.
- Never leave the appliance unattended when lit.
- Do not allow pans to boil dry.

**HANDLING THE APPLIANCE**

- Be careful not to touch hot parts of the appliance during, or after use. Keep young children away from the appliance.
- Storage: Always unscrew the cartridge from the appliance when not in use. Store them in a safe dry place away from heat.
- Do not misuse the appliance, or use it for anything for which it has not been designed.
- Handle the appliance with care. Do not drop it.

**ASSEMBLING THE APPLIANCE**

- Ensure that the gas is shut off completely by turning control (2) clockwise as far as possible. (Fig. 3)
- Keep the cartridge (3) upright when fitting it to the valve.
- Place the valve (4) vertically on top of the cartridge.
- Gently screw the cartridge (3) into the valve (4) until it meets the O-ring (1) of the valve. (Fig. 3)
- Be careful not to fit the cartridge cross threaded. Screw hand tight only. Do not overtighten, you will damage the cartridge valve.
- Ensure that a complete gas seal has been made. If you have to check the gas soundness of the appliance, do this outdoors. Do not check for leaks with a naked flame. Use warm soapy water only, applied to the joints and connections of the appliance. Any leakage will show up as bubbles around the leakage area. If you are in doubt or you can hear or smell gas, do not attempt to light the appliance. Unscrew cartridge and contact your local dealer.
- Unfold the saucepan support arms (5) fully into position around the burner (6).
- Ensure that the burner is free of soot and dirt so that the support arms are free to move.

- Ensure that the burner is screwed home fully. The appliance is now ready for use.

**OPERATING THE APPLIANCE**

- Always operate the appliance on firm level of surface.
- Open the gas by turning the valve control knob anti-clockwise approximately 1/4 cycle or more. Press electronic ignition button (7) one or more times until the gas ignites. (Fig. 5)
- Adjust the size of the flame by turning the control.
- After lighting, operate the appliance upright and do not move it around. Flaring may occur if the appliance has not fully warmed, or if it is moved carelessly.
- After use, ensure that the valve is fully shut (control knob turned fully clockwise).
- Distance to inflammable materials must be ensured. Minimum distance to inflammable materials over the device is 500 mm and to a wall 250 mm. To avoid a fire hazard these minimum distances must be complied with.
- After use, ensure the appliance is cool down totally, fold the saucepan support arms (5) onto the burner (6) by carrying out the steps shown in the reverse order.

**CHANGING THE CARTRIDGE**

- Shut the valve fully. Be sure the flame is extinguished and no other flame is nearby. Take the unit outdoor away from other people. Ensure the appliance is cool down totally. Unscrew the cartridge from the valve. Avoid cross threading by putting the valve onto the cartridge screw thread squarely and screw on hand tight only, as described in section 4.
- Check if the cartridge is empty before changing it (shake to hear the noise made by the liquid).
- Check if burners are extinguished before disconnecting the gas container.
- Check the seals before connecting a new gas container to the appliance.
- Change the gas container outside and away from people.

**MAINTENANCE**

- If gas pressure drops or the gas will not light, check if there is gas left in the cartridge.

**ROUTINE SERVICE AND MAINTENANCE**

- Always ensure that the O-ring sealing is in place and in good condition.
- Always check this each time prior to fitting the appliance. Never use the appliance if it has the damaged or worn O-ring.

**SERVICE AND REPAIR**

- Never attempt any other maintenance or repair.
- Never modify the appliance. This may cause the appliance to become unsafe.

**SPARES AND ACCESSORIES**

- Be careful when fitting spare and accessories. Avoid touching hot parts.
- Replacement Cartridge: Use only Butane cartridges as defined in EN417 with this appliance.

**CZ Plynový vaříč****Návod k použití**

Před prvním použitím důkladně prostudujte tento návod k použití. Návod uschovejte pro případné další použití.

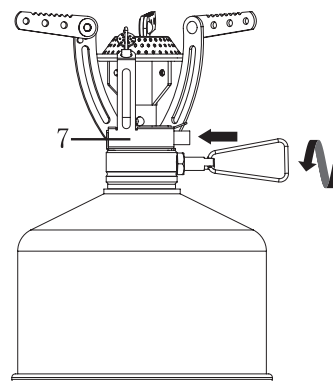
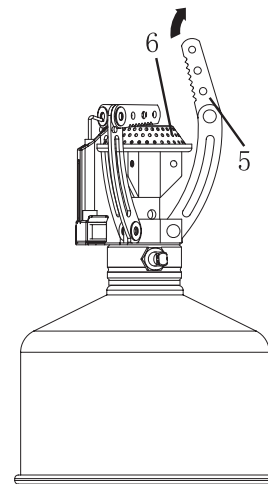
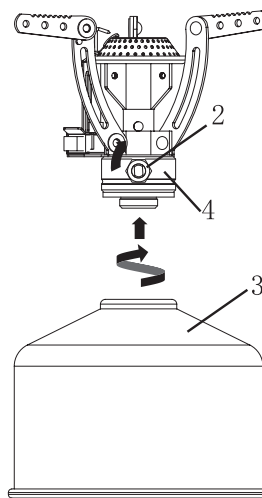
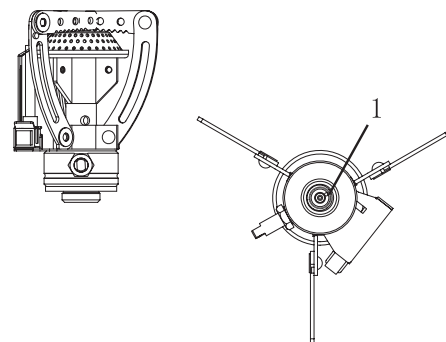
**Používat pouze venku!**

Nikdy nezakrývejte vaříč ani plynovou kartuš žádnou clonou proti větru, ani kameny ani ničím podobným. Mohlo by dojít k přehřátí vaříče a/nebo plynové kartuše – hrozí vysoké nebezpečí.

**Úvod**

- Plynový spotřebič určený na palivo propan-butan pro jednorázové kartuše s přímým přetlakem směsi propanu a butanu. Je určen pouze pro kartuše, které obsahují kapalný plyn propan-butan pod stálým tlakem v poměru 30:70 PB. Kartuše musí být vyrobena dle EN 417 a opatřena samotěsnícím ventilem s přípojovacím závitem 7/16". Kartuše jsou jednorázové, není dovoleno je znovu plnit.
- Připojovat tento plynový spotřebič jiným kartuším není dovoleno.
- Výkon 3500 W, max. spotřeba plynu: 260 g / h.

# Cattara



# Obsah je uzamčen

**Dokončete, prosím, proces objednávky.**

**Následně budete mít přístup k celému dokumentu.**



**Proč je dokument uzamčen? Nahněvat Vás rozhodně nechceme. Jsou k tomu dva hlavní důvody:**

- 1) Vytvořit a udržovat obsáhlou databázi návodů stojí nejen spoustu úsilí a času, ale i finanční prostředky. Dělali byste to Vy zadarmo? Ne\*. Zakoupením této služby obdržíte úplný návod a podpoříte provoz a rozvoj našich stránek. Třeba se Vám to bude ještě někdy hodit.

*\*) Možná zpočátku ano. Ale vězte, že dotovat to dlouhodobě nelze. A rozhodně na tom nezbohatneme.*

- 2) Pak jsou tady „roboti“, kteří se přiživují na naší práci a „vysávají“ výsledky našeho úsilí pro svůj prospěch. Tímto krokem se jim to snažíme překazit.

A pokud nemáte zájem, respektujeme to. Urgujte svého prodejce. A když neuspějete, rádi Vás uvidíme!