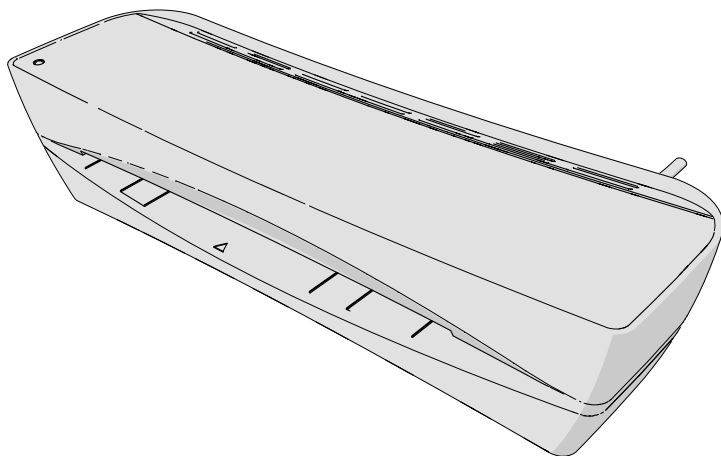




LEITZ iLAM

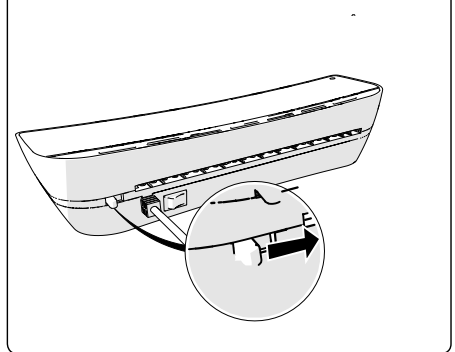
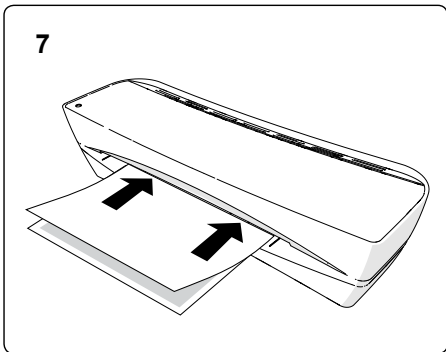
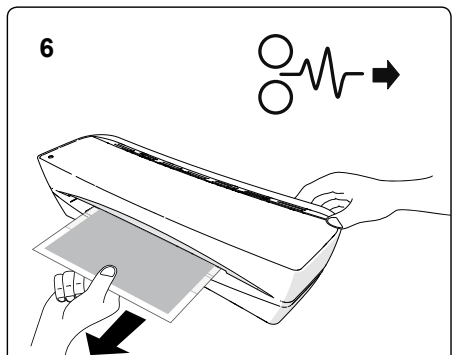
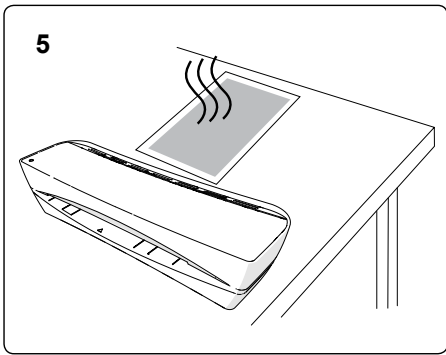
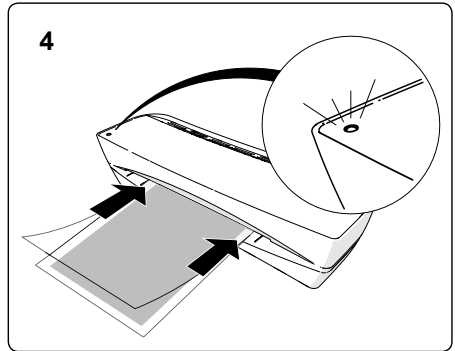
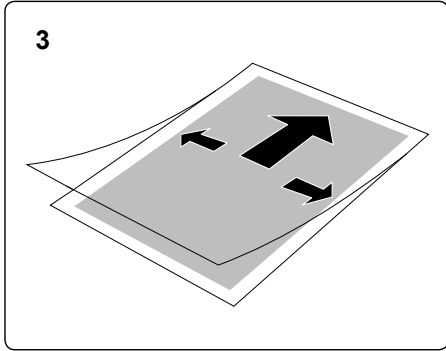
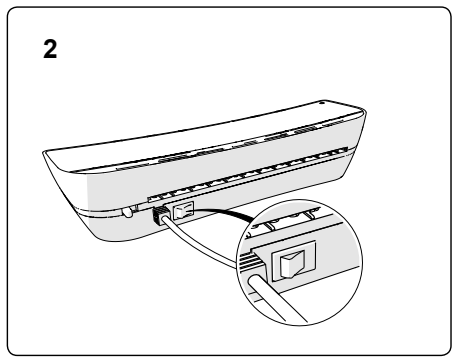
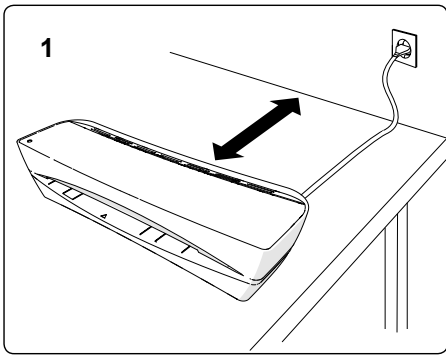
LAMINATOR

HOME A4



Instructions for use

EN 1	DE 3	FR 5	IT 7	ES 9
PT 11	NL 14	DA 16	NO 18	SV 20
FI 22	ET 24	LV 26	LT 28	PL 30
UK 32	RU 34	KK 37	CS 39	SK 41
HU 43	RO 45	GR 47	TR 49	AR 52



Introduction

This Leitz product is intended to be used for laminating paper or similar materials. The product should only be used in household or similar environments, such as in offices and shops. The product should not be used for commercial or industrial purposes, in locations with the presence of a corrosive or explosive atmosphere or for medical purposes. The product may only be used according to the instructions as described in this manual. All use other than described in this manual is seen as unintended use.

For your safety



WARNING! Read all safety warnings and all instructions.

- Please take the time and read the general safety instructions. You can find the general safety instructions in a separate booklet. This booklet is included.
- Always ensure good aeration while laminating (e. g. open a window).
- Always unplug the device when not in use.
- Do not place anything on top of the device and do not insert anything into the venting slots.
- Never laminate with only one side of a laminating pouch.
- Never attempt to pull out the pouch before the laminating process has finished.
- Always unplug and let the device cool down before cleaning, moving or storing it. When carrying the laminator, always hold it by the recessed grips on both sides.

Setting up and switching on the laminator (① and ②)

- Set the laminator up on a stable surface (e.g. table) close to a mains outlet ①.
Ensure there is sufficient space behind the unit so the laminated item is not blocked

and can easily be removed.

- Connect mains cord with mains socket.
- Put the ON/OFF switch in the ON position ②.

Inserting the document into the pouch ③

- Insert the document into the laminating pouch. Align it to the sealed edge as much as possible and maintain even margins left and right.

Pouches that are too large can be trimmed to size after lamination.

Laminating ④

- When the POWER/READY LED indicator lights green, insert the pouch with the sealed edge first until it gets pulled in.
The laminated document automatically exits at the output side.

Letting the laminated document cool down ⑤

- Remove the laminated document and leave it on a flat surface for one minute to cool down.
- When you have no further documents to laminate, switch off the laminator.

Clearing a jammed pouch ⑥

Jamming can occur when laminating unsuitable materials.

CAUTION: To prevent any damages to the laminator, the pouch must be removed before switching off the unit.

- Move the release lever to the right and pull out the pouch immediately.
- Clean the rollers after any pouch jam as described in section "Maintenance and care".

Maintenance and care ⑦

In order to remove adhesive from inside the device, clean the rollers regularly as described here:

Obsah je uzamčen

Dokončete, prosím, proces objednávky.

Následně budete mít přístup k celému dokumentu.



Proč je dokument uzamčen? Nahněvat Vás rozhodně nechceme. Jsou k tomu dva hlavní důvody:

- 1) Vytvořit a udržovat obsáhlou databázi návodů stojí nejen spoustu úsilí a času, ale i finanční prostředky. Dělali byste to Vy zadarmo? Ne*. Zakoupením této služby obdržíte úplný návod a podpoříte provoz a rozvoj našich stránek. Třeba se Vám to bude ještě někdy hodit.

**) Možná zpočátku ano. Ale vězte, že dotovat to dlouhodobě nelze. A rozhodně na tom nezbohatneme.*

- 2) Pak jsou tady „roboti“, kteří se přiživují na naší práci a „vysávají“ výsledky našeho úsilí pro svůj prospěch. Tímto krokem se jim to snažíme překazit.

A pokud nemáte zájem, respektujeme to. Urgujte svého prodejce. A když neuspějete, rádi Vás uvidíme!