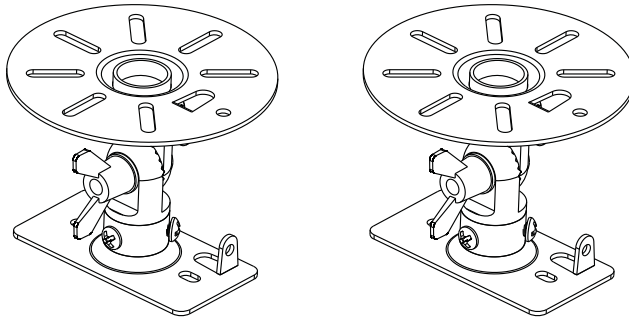


SPEAKER WALL MOUNT

For Model:
SHO 1110



Universal Mounting Instructions

Installation Instruction

UNPACKING INSTRUCTIONS

- **Carefully open the carton, remove contents and lay out on cardboard or other protective surface to avoid damage.**
- Check package contents against the Supplied Parts List in the next page to assure that all components were received undamaged. Do not use damaged or defective parts.
- Carefully read all instructions before attempting installation.

IMPORTANT SAFETY INFORMATION

Install and operate this device with care. Please read this instruction before beginning the installation, and carefully follow all instructions contained herein. Use proper safety equipment during installation.

Please call a qualified installation contractor for help if you:

- If you don't understand these directions or have any doubts about the safety of the installation.
- If you are uncertain about the nature of your wall, consult a qualified installation contractor.

Do not use this product for any purpose or in any configuration not explicitly specified in this instruction. We hereby disclaims any and all liability for injury or damage arising from incorrect assembly, incorrect mounting, or incorrect use of this product.

Note: Specifications and the design are subject to possible modification without notice due to improvement.

IMPORTANT:

- Before installation and use, carefully read this guide and keep it for future use.
- When using electrical tools for tightening bolts, please pay increased attention.
- When tightening bolts make sure not to strip the thread. It could damage the video table / holder. Don't install this product into a wet or otherwise damaged wall. Fastening materials, which are supplied with the product are designed for installation on to walls from massive wood, bricks or concrete. For assembly on to walls from other materials consult an expert.
- Do not disassemble nor repair the product on your own.
- Never install or service this product if it shows signs of damage. If you are unsure, contact your supplier. Stell takes no responsibility for the faulty installation of this product.
- The product must be placed in such a way that the power socket is accessible after installation.
- Sharp edges of this product may cause injury.
- This product is not designed to be handled nor installed by small children or uninstructed persons, unless they are under the supervision of persons responsible for ensuring safety during handling or installation of the product. Children should be under supervision to ensure that they do not tamper with the product. Do not allow children to hang on the product nor to handle it in any other way. If this is not the case, serious injury may occur. Never insert fingers nor other items into the product's mechanism. Persons could be injured or property damaged.
- Use this product in accordance with the user's manual and its intended application.

INSTRUCTIONS AND INFORMATION REGARDING THE DISPOSAL OF USED PACKAGING MATERIALS

Dispose of packaging material at a public waste disposal site.

DISPOSAL OF USED ELECTRICAL AND ELECTRONIC APPLIANCES



The meaning of the symbol on the product, its accessory or packaging indicates that this product shall not be treated as household waste. Please, dispose of this product at your applicable collection point for the recycling of electrical & electronic equipment waste.

Alternatively in some states of the European Union or other European states you may return your products to your local retailer when buying an equivalent new product. The correct disposal of this product will help save valuable natural resources and help in preventing the potential negative impact on the environment and human health, which could be caused as a result of improper liquidation of waste. Please ask your local authorities or the nearest waste collection centre for further details. The improper disposal of this type of waste may fall subject to national regulations for fines.

For business entities in the European Union

If you wish to dispose of an electrical or electronic device, request the necessary information from your seller or supplier.

Disposal in other countries outside the European Union

If you wish to dispose of this product, request the necessary information about the correct disposal method from local government departments or from your seller.



This appliance complies with EU rules and regulations regarding electromagnetic and electrical safety.

Changes to the text, design and technical specifications may occur without prior notice and we reserve the right to make these changes.

Obsah je uzamčen

Dokončete, prosím, proces objednávky.

Následně budete mít přístup k celému dokumentu.



Proč je dokument uzamčen? Nahněvat Vás rozhodně nechceme. Jsou k tomu dva hlavní důvody:

- 1) Vytvořit a udržovat obsáhlou databázi návodů stojí nejen spoustu úsilí a času, ale i finanční prostředky. Dělali byste to Vy zadarmo? Ne*. Zakoupením této služby obdržíte úplný návod a podpoříte provoz a rozvoj našich stránek. Třeba se Vám to bude ještě někdy hodit.

**) Možná zpočátku ano. Ale vězte, že dotovat to dlouhodobě nelze. A rozhodně na tom nezbohatneme.*

- 2) Pak jsou tady „roboti“, kteří se přiživují na naší práci a „vysávají“ výsledky našeho úsilí pro svůj prospěch. Tímto krokem se jim to snažíme překazit.

A pokud nemáte zájem, respektujeme to. Urgujte svého prodejce. A když neuspějete, rádi Vás uvidíme!