

BLAUPUNKT

PP6BR

Owner's Manual

Instrukcja obsługi

Návod k použití

Navodila za uporabo

Használati útmutató

Upute za upotrebu

Instrucțiune de deservire

Инструкция за употреба

Οδηγίες χρήσης

Kasutusjuhend

Naudojimo instrukcijos

Užívateľská príručka



Enjoy it.

Portable radio with clock and USB/microSD playback

IMPORTANT SAFETY INSTRUCTIONS



The marking plate is located at the bottom of the apparatus.

Important Safety Instructions

Caution:

To reduce the risk of electric shock, do not remove cover (or back). No user serviceable parts inside. Refer servicing to qualified service personnel.

Explanation of Graphical Symbols:



The lightning flash within an equilateral triangle is intended to alert you to the presence of uninsulated dangerous voltage within the product's enclosure that may be of sufficient magnitude to constitute an electric shock to a person or persons.



The exclamation point within an equilateral triangle is intended to alert you to the presence of important operating and

To achieve the utmost in enjoyment and performance, and in order to become familiar with its features, please read this manual carefully before attempting to operate this product. This will assure you years of trouble free performance and listening pleasure.

Important Notes

- This safety and operating instruction should be retained for future reference.
- The apparatus should not be exposed to dripping or splashing or placed in a humid atmosphere such as a bathroom.
- Do not install the product in the following areas:
- Places exposed to direct sunlight or close to radiators.
- On top of other stereo equipment that radiate too much heat.
- Blocking ventilation or in a dusty area.
- Areas where there is constant vibration.
- Humid or moist places.
- Do not place near candles or other naked flames.
- Operate the product only as instructed in this manual.
- Before turning on the power for the first time, make sure the power adaptor is properly connected.
- Plug-in the USB stick directly or use an USB-extension cable which is not longer than 25 cm.

For safety reasons, do not remove any covers or attempt to gain access to the inside of the product. Refer any servicing to qualified personnel.

Do not attempt to remove any screws, or open the casing of the unit; there are no user serviceable parts inside. Refer all servicing to qualified service personnel.

SAFETY INSTRUCTIONS

1. **Read Instructions** - All the safety and operating instructions must be read before

- the product is operated.
2. **Retain Instructions** - The safety and operating instructions should be kept with the product for future reference.
 3. **Heed warnings** - All warnings on the product and in the operating instructions should be adhered to.
 4. **Follow instructions** - All operating and users' instructions should be followed.
 5. **Installation** - Install in accordance with the manufacturer's instructions.
 6. **Power sources** - This product should be operated only from the type of power source indicated by the marking adjacent to the power cord entry. If you are not sure of the type of power supply to your home, consult your product dealer or local power company.
 7. **Grounding or polarization** - the product is not required to be grounded. Ensure that the plug is fully inserted into the wall outlet or extension cord receptacle to prevent blade or pin exposure. Some versions of the product are equipped with a power cord fitted with a polarized alternating line plug (a plug having one blade wider than the other). This plug will fit onto the power outlet only one way. This is a safety feature. If you are unable to insert the plug fully into the outlet, try reversing the plug. If the plug should still fail to fit, contact your electrician to replace your obsolete outlet. Do not defeat the safety purpose of the polarized plug. When using an extension power-supply cord or a power-supply cord other than that supplied with the appliance, it should be fitted with the appropriate molded plugs and carry safety approval appropriate to the country of use.
 8. **Power cord protection** - Power-supply cords should be routed so that they are not likely to be walked on, kinked or pinched by items placed on or against them, paying particular attention to cords from plugs, receptacles and the point where they exit from the product.
 9. **Overloading** - Do not overload wall outlets, extension cords, or multiple sockets, as this can result in a risk of fire or electric shock.
 10. **Ventilation** - The product must be properly ventilated. Do not place the product on a bed, sofa, or other similar surface. Do not cover the product with any items such as tablecloths, newspapers, etc.
 11. **Heat** - The product should be situated away from heat sources such as radiators, heat registers, stoves, or other products, including amplifiers that produce heat. No naked flame sources, such as lighted candles, should be placed on the apparatus.
 12. **Water and moisture** - To reduce the risk of fire or electric shock, do not expose the product to rain, dripping, splashing or excessive moisture such as in a sauna or bathroom. Do not use this product near water, for example, near a bathtub, washbowl, kitchen sink, laundry tub, in a wet basement or near a swimming pool (or similar).
 13. **Object and Liquid Entry** - Never push objects of any kind into this product through openings, as they may touch dangerous voltage points or short-circuit parts that could result in a fire or electric shock. Never spill liquid of any kind on the product. Do not place any object containing liquid on top of the product.
 14. **Cleaning** - Unplug the product from the wall outlet before cleaning. Dust in the woofer may be cleaned with a dry cloth. If you wish to use an aerosol cleaning spray, do not spray directly on the cabinet; spray onto the cloth. Be careful not to damage the drive units.
 15. **Attachments** - Do not use attachments not recommended by the product manufacturer, as they may cause hazards.
 16. **Accessories** - Do not place this product on an unstable cart, stand, tripod, bracket or table. The product may fall, causing serious injury to a child or adult, and serious

damage to the product. Use only with a cart, stand, tripod, bracket or table recommended by the manufacturer or sold with the product. Any mounting of the product should follow the manufacturer's instructions and should use a mounting accessory recommended by the manufacturer.

17. **Moving the product** - A product and cart combination should be moved with care. Quick stops, excessive force and uneven surfaces may cause the product and cart combination to overturn.
18. **Unused periods** - The power cord of the appliance should be unplugged from the outlet during lightning storms or when the apparatus is left unused for a long period of time.
19. **Servicing** - Do not attempt to service this product yourself, as opening or removing covers may expose you to dangerous voltage or other hazards. Refer all servicing to qualified service personnel.
20. Please remove the power plug from the main power source or wall power source when not in use. When plugged in to a power source, the system is in standby mode, so the power is not entirely cut off.
21. **Replacement parts** - When replacement parts are required, ensure that the service technician has used replacement parts specified by the manufacturer or have the same characteristics as the original part. Unauthorized substitutions may result in fire, electric shock or other hazards.
22. **Mains fuses** - For continued protection against fire hazard, use fuses only of the correct type and rating.
23. Do not turn up the volume while listening to a section with very low level inputs or no audio signals. If you do, the speaker may be damaged when a peak level section is suddenly played.
24. The only means of completely disconnecting the product from the power supply is by removing the power cord from the wall outlet or the product. The wall outlet or the power cord entry to the product must remain freely accessible at all times while the product is in use.
25. Try to install the product near a wall socket or extension cord and shall be easily accessible.
26. The highest environmental temperature suitable for this product is 35°C.
27. **ESD hints** - If the product maybe reset or not reset to operation of control due to electrostatic discharge, just switch off and reconnect again, or move the product to another location.
28. **Battery**
 1. The batteries must not be exposed to excessive heat such as sunshine, fire or the like.
 2. The batteries should be drawn to the environmental aspects of battery disposal.
 3. Battery usage **CAUTION**-to prevent battery leakage which may result in body injuries, property damage, or damage to the apparatus:
 - Install all batteries correctly, + and - as marked on the apparatus.
 - Do not mix batteries (old and new or carbon and alkaline, etc.)
 - Remove batteries when the unit is not used for a long time.

WARNING

This appliance is not intended for use by persons (including children) with reduced physical sensory or mental capabilities, or lack of experience and knowledge, unless they have been given supervision or instruction concerning use of the appliance by a person responsible for their safety. Children should be supervised to ensure that they do not play with the appliance.

1. Never use the device unsupervised! Switch off the device whenever you are not using it, even if this only for a short while.
2. The appliance is not intended to be operated by means of an external timer or separate remote control system.
3. If the supply cord is damaged, it must be replaced by the manufacturer, its service agent or similarly qualified persons in order to avoid a hazard.
4. Before operating this system, check the voltage of this system to see if it is identical to the voltage of your local power supply.
5. The unit should not be impeded by covering the ventilation opening with items such as newspaper, table-cloths, curtains etc. Make sure that there are at least 20 cm of space above and at least 5 cm of space on each side of the unit.
6. The apparatus must not be exposed to dripping or splashing and that objects filled with liquids, such as vases, must not be placed on the apparatus.
7. To prevent fire or shock hazard, do not expose this equipment to hot places, rain, moisture or dust.
8. Do not locate this unit near any water sources e.g. taps, bathtubs, washing machines or swimming pools. Ensure that you place the unit on a dry, stable surface.
9. Do not place this unit close to a strong magnetic field.
10. Do not place the unit on a amplifier or receiver.
11. Do not place this unit in a damp area as the moisture will affect the life of electric components.
12. If the system is brought directly from a cold to a warm location, or is placed in a very damp room, moisture may condense on the lens inside the player. If this occurs, the system will not operate properly. Please leave the system turned on for about an hour until the moisture evaporates.
13. Do not attempt to clean the unit with chemical solvents as this might damage the finish. Wipe with a clean, dry or slightly damp cloth.
14. When removing the power plug from the wall outlet, always pull directly on the plug, never pull on the cord.
15. Depending on the electromagnetic waves used by a television broadcast, if a TV is turned on near this unit while it is also on, lines might appear on the TV screen.

16. Neither this unit nor the TV is malfunctioning. If you see such lines, keep this unit well away from the TV set.
17. The mains plug is used as the disconnect device, the disconnect device must remain readily operable.
18. To prevent possible hearing damage, do not listen at high volume levels for long periods.



NOTICE



Conformity

Hereby, Blaupunkt Competence Center 2N-Everpol Sp. z o.o., declares that this equipment is in compliance with the essential requirement and other relevant provisions of Directive 2014/53/EU. Declaration of conformity can be obtained from the product page at www.blaupunkt.com.

Responsible party: 2N-Everpol Sp. z o.o, Puławska 403A, 02-801 Warsaw, Poland, Phone: +48 22 331 99 59, E-mail: info@everpol.pl



Your products is designed an manufactured with high quality materials and components, which can be recycled and reused.



When this crossed-out wheeled bin symbol is attached to a product it means that the product is covered by the European Directive 2002/96/EC. Please inform yourself about the local separate collection system for electrical and electronic products. Please act according to your local rules and do not dispose of your old products with your normal household waste. Correct disposal of your old product helps to prevent potential negative consequences for the environment and human health.



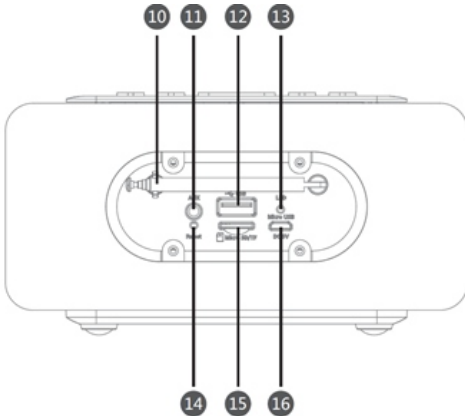
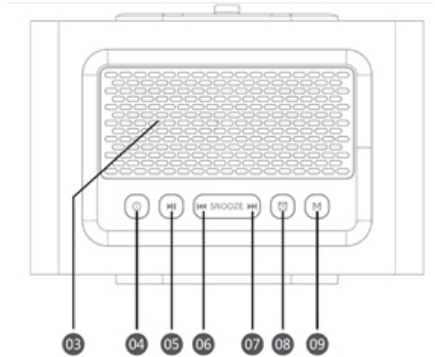
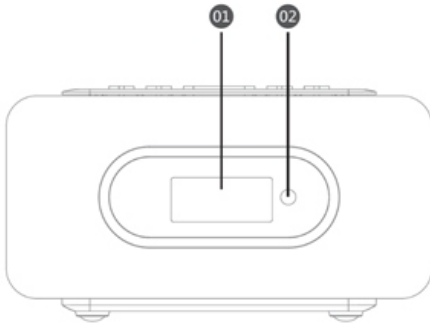
Your product contains batteries covered by the European Directive 2006/66/EC, which cannot be disposed with normal household waste. Please inform yourself about the local rules on separate collection of batteries because correct disposal helps to prevent negative consequences for the environmental and human health.

Environmental information

All unnecessary packaging has been omitted. We have tried to make the packaging easy to separate into three materials: cardboard(box), polystyrene foam(buffer) and poly ethylene (bags, protective foam sheet). Your system consists of material which can be recycled and reused if disassembled by a specialized company. Please observe the local regulations regarding the disposal of packaging materials, exhausted batteries and old equipment.

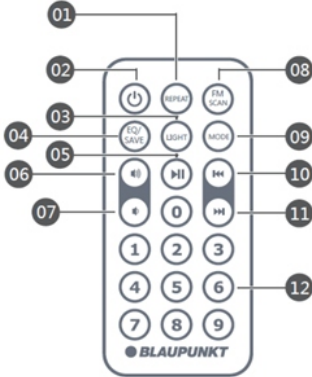
Recording and playback of material might require consent. See Copyright Act 1956 and The Performer's Protection Acts 1958 to 1972.

Control locations



- 01— Display.
- 02— Remote control sensor.
- 03— Speaker.
- 04— Power button.
- 05— Play/Pause key for play/pause and mute function operation.
- 06— Previous/volume - button for previous track selection and volume adjustment.
- 07— Next/volume + button for next track selection and volume adjustment.
- 08— Clock button.
- 09— Mode button to switch the play mode between USB/microSD/FM/AUX IN mode.
- 10— FM antenna.
- 11— AUX IN jack.
- 12— USB port.
- 13— Power LED indicator.
- 14— System reset.
- 15— microSD slot.
- 16— DCSV power jack.

Remote control



01—Repeat button (Repeat all, random and repeat one).

02—Power ON/OFF button.

03—Light button for display backlight brightness adjustment.

04—EQ selection button(only for USB/microSD card playback mode)

05—Play/Pause button.

06—Volume +.

07—Volume -.

08—FM auto scan button.

09—Mode button for play source selection.

10—Previous button.

11—Next button.

12—Digits button (0~9).

Notes:

- Before you use the remote control, please make sure the CR2025 battery has installed inside properly according to the polarity indication.
- Please remove the power insulation sheet before use the remote control.
- Please disposal the exhaust battery in environmental method friendly. Please reference your local government's requirement for the detail.
- The best operation distance for remote control is within 5 meters without any block. Please aim to the remote control sensor on unit front panel for operation.

Unit installment and power setting

DC power: Using the supplied USB power cable connect with DC adapter; and connect another terminal of USB cable to the micro USB DC power jack on the back panel of the unit. Then plug on the DC adapter to your household power source. The red LED power indication will light up after the power connection successful.

Press the power button in 2 seconds on the front panel of unit to power on/off the unit. Press the power button from remote control can standby on/off the unit. The display will light up after power on, and then you can start other operation.

PP6BR

Battery charging: The unit will start charging after connection with DC power, and the power LED on rear panel will turn to green color in case of be fully charged. You can understand the battery power status by check the battery icon on the right top corner of display. The unit will off automatically in case of exhausted battery power. Please kindly arrange re-charging for playing.

Unit power on and standby: Press the power button in 2 seconds on the top panel of unit to power on/off the unit. Short press the power button from top panel or remote control can standby on/off the unit (clock time interface on display without sound output). The display will light up after power on, and then you can start other operation.

Notes:

- a. The supplied USB power cable includes universal USB connector and micro USB connector. The universal USB connector is for DC adapter connection, and the micro USB connector is for DC power USB jack connection.
- b. Only the supplied power adapter or same rating spec adapter is allow to use for power operation.
- c. When you press off power by the power button on top panel, then the unit cannot power on by remote control due to the power is cut off completely. Please press the power button on top panel to power on the unit again.
- d. The unit can play audio during charging, we suggest to power off(display off) the unit for charging in case of fully charge the battery in once.

Display back-light adjustment (dimmer)

Press the " LIGHT" button on remote control can adjust the display back-light brightness between high/middle and low level.

Volume adjustment: press and hold previous & next button on top panel to increase or decrease the volume level in high speed; if you short press the previous & next button immediately, there will adjust the volume output level step by step; remain the button 3 seconds without further operation, the previous & next button will resume for last & next track selection function.

Time operation

Clock time: Power on the unit, then short press the power button again enter to clock time interface. Short press the mode button 3 times continuous to start the setting, and the hour's digits will flare on display; press the previous/next button to adjust the hour; press the clock button skip to minute's setting, or press clock button again return to hour's setting in case of need; press the previous/next button to adjust the minute, and short press the power button to complete the clock setting.

Alarm operation: Power on the unit, then short press the power button again enter to clock time interface. Short press the mode button once to start the alarm1 setting, and alarm 1 icon(bell with digit 1) will light up; press the previous/next button to adjust the hour; press the clock button skip to minute's setting, or press clock button again return to hour's setting in case of need; press the previous/next button to adjust the minute,; press the clock button skip to alarm source selection, press the previous/next button to switch the alarm source between beep/USB/microSD/radio/play;short press the play/pause button and power button again to confirm and complete the alarm setting. For alarm 2 setting, press the mode button twice to start the setting program. The other is same operation as alarm 1.

Tips:

- a. The clock and alarm will work in case of there have available battery power, or DC power connection. We suggest to connect DC power for long time using.
- b. When the alarm activate, press any other button except previous/next button can cancel the alarm sound, and wake up again in the coming time of next day. The duration of alarm voice is 5 minutes and off automatically in case of no further operation.
- c. When the alarm activate, short press the snooze button to enter snooze mode. And the alarm will wake up again in another 5 minutes. Press any other button can cancel the snooze.
- d. Short press the clock button on top panel once can turn off or on the alarm 1; short press it twice can turn off or on alarm 2; long press it can turn off or on both of alarm 1 and alarm 2 in once.
- e. When we select USB/microSD/radio as alarm source, short press the play/pause button can preview the alarm track or preset radio station, short press the previous/next button can switch the previewed alarm track and preset station, press the play/pause button to return the alarm setting operation.
- f. When we select play as alarm source, that means the unit can wake up and auto play the radio/USB/microSD when the time is being. Short press the play/pause button can switch the wake up source between play-radio/play-USB/play-microSD. The unit will play 120 minutes and off automatically.
- g. Please make sure the USB/microSD device with music will plug on the unit properly when you select USB/microSD as alarm source.
- h. The alarm is workable on power off mode (display off).

Sleep: When the unit is in standby mode(clock time interface), short press the play/pause button can activate the sleep setting, short press previous/next button to adjust the sleep time between off/15/30/45/60/75/90/120, short press the play/pause button again to confirm the selection. In audio playing mode(radio/USB/microSD/Bluetooth/aux in), the sound will auto off after the selected sleep time arrival. If you return to standby mode, and short press the play/pause button again can check the remained sleep minutes.

FM radio operation

The unit has an external antenna which allows you to listen the FM radio station. Before listen the radio, please fully extent the antenna and try to move the unit next to window in order to get better radio signal.

Power on the unit, press the “M” key on the top panel of unit or press the “MODE” button on remote control can enter to radio mode.

- 1. Auto tune and preset:** short press the “FM SCAN” button, or press and hold “PLAY/PAUSE” button from remote control and top panel of unit in 3 seconds, the unit will scan and save the available station automatically. The unit can save up to 60 preset stations.
- 2. Auto scan:** Press and hold the “Previous” and “Next” button on top panel of remote control can auto scan the available station in upward or downward frequency.
- 3. Station manual memory:** When you get a favorite station by auto scan, short press the “SAVE” button on remote control can save the current station; Short press the “REPEAT” key on remote control, then press the volume – and volume + button from remote control can change the radio frequency per 0.1MHz, press the “SAVE” button can save the current station manually; remain 10 seconds without operation, the volume knob will resume volume control function.
- 4. Remove weak signal preset station:** in case of you find weak signal or dislike radio station during preset station picking up by press “next” and “previous” button; long press the “0” digit button from remote control can remove the current preset station. And the afterward preset station number will move forward accordingly.
- 5. Get a specific station:** in order to get a specific frequency station, you can input the frequency directly by the digit button on remote control. For example, you want to listen the radio frequency at “104.3 MHz”, you just need key in 1-0-4-3 by the digit button of remote control. Then the unit will skip and play the defined station.
- 6. Preset station picking up:** short press the “Previous” or “Next” button on remote control or front panel can pick up the preset station; Or input preset station number by digit button on remote control for picking up. For example, you want to listen the preset station number 12, please just key in 1-2 by remote control, then the related station will be played.

USB and microSD card playback operation

Before start the MP3 playback function, please make sure the USB and microSD card had been inserted into the USB or microSD port on the unit rear panel. Also, the MP3 music had been copied and stored inside of device. The unit can support up to 32GB capacity device.

1. Press the “MODE” or “M” button enter to the USB or microSD card playback mode, the unit can auto detect and start to play the music after show the total track’s number.
2. Short press the “Previous” or “Next” button can select the last or next track; press hold and release the “Previous” or “Next” button from remote control can fast-forward or fast rewind the current playing track.

3. Key in the related number by the digit button on remote control can fast pick up and play the track.
4. Short press the "REPEAT" button on remote control can switch the play mode between repeat all, repeat one and random. Press and hold the Play/pause button on front panel of unit 3 seconds can get the same operation.
5. If you want to repeat play a specific section of track, Press and hold the "REPEAT" button 3 seconds till the P—A show on display to select the start point ; then press and hold the "REPEAT" button 3 seconds till display show the P--b to select the end point; Then the unit will repeat play the selected track. Press and hold the "REPEAT" button till P---E showed on display can cancel and quit the specific repeat function.
6. During the MP3 play mode, short press the EQ button on remote control can change the equalizer between NORMAL/ROCK/POP/CLASS/JAZZ/BASS.

Notes:

- a. An extension cable for USB connection playing is not recommended, because that will impact the audio signal transfer and create noise output issue.
- b. The unit only can detect and play the music when the USB or microSD card installed.

AUX IN/MP3 Link operation

Using the supplied 3.5mm stereo to 3.5mm audio cable and connect the AUX IN jack on the rear panel of unit to other player(like MP3 player etc..). Then the unit will enter to the AUX IN playback mode directly. Select and play the music from your player, then the sound will output from radio.

Please kindly note the main control is on your player side. The radio only can adjust the volume, play/pause function in AUX in mode.

Specification:

Power source: DC IN 5V/600mA; 3.7V/1800mA(Battery power)

RMS Output power: 2 x 2.5W RMS. FM frequency: 87.5~108.0MHz.

USB rating output: 150 mA.

Power consumption: 9.5W Standby power consumption: < 0.5 W

Factory default:

System time: 00: 00,

Time format: 24hours.

Sleep: OFF.

Alarm duration: 5 minutes

Volume: 15

(The specification may revise without prior notice)

WAŻNE INSTRUKCJE DOTYCZĄCE BEZPIECZEŃSTWA



Tabliczka znamionowa znajduje się na spodzie urządzenia.

Ważne instrukcje dotyczące bezpieczeństwa

Przeostroga:

Aby zmniejszyć ryzyko porażenia prądem, nie wolno demontować pokrywy ani tylnej części urządzenia. Wewnątrz urządzenia nie znajdują się elementy przeznaczone do samodzielnej naprawy przez użytkownika. Konserwacją i naprawą sprzętu zajmują się wyłącznie wykwalifikowani pracownicy serwisu.

Objaśnienie symboli graficznych:



Symbol błyskawicy zakończonej strzałką umieszczonej w trójkącie równobocznym ostrzega użytkownika przed niez izolowanym „niebezpiecznym napięciem” w obrębie obudowy urządzenia, które może osiągnąć wielkość grożącą porażeniem prądem elektrycznym.



Znak wykrzyknika w trójkącie równobocznym ostrzega użytkownika, że w tym momencie przedstawione są ważne informacje dotyczące

Prosimy o przeczytanie tej instrukcji przed przystąpieniem do obsługi urządzenia, aby zapoznać się z jego funkcjami i wykorzystać je zgodnie z przeznaczeniem. Zapewni to długotrwałą, bezawaryjną obsługę urządzenia i przyjemność z użytkowania.

Ważne informacje

- Należy zachować instrukcję obsługi oraz informacje dotyczące bezpieczeństwa w celu wykorzystania ich w przyszłości.
- Nie należy dopuszczać do tego, aby na urządzenie kapała lub wylewała się ciecz. Nie wolno też używać go w wilgotnych miejscach, jak np. łazienka.
- Nie wolno instalować tego urządzenia w następujących miejscach:
 - Wystawionych na bezpośrednie działanie promieni słonecznych lub w pobliżu grzejników.
 - Kłaść go na wierzchu innego sprzętu stereofonicznego który wydziela ciepło.
 - Blokując wentylację lub w zapyłonym miejscu.
 - W miejscach narażonych na ciągłe drgania.
 - W miejscach o wysokiej wilgotności.
- Nie wolno stawiać urządzenia w pobliżu świec lub otwartego ognia.
- Urządzenia można używać wyłącznie w sposób opisany w niniejszej instrukcji.
- Przed pierwszym włączeniem zasilania należy upewnić się, że zasilacz został prawidłowo podłączony.
- Pamięć USB podłącza się bezpośrednio lub przy użyciu przedłużacza USB o długości do 25 cm.

Ze względów bezpieczeństwa nie należy demontować obudów ani uzyskiwać dostępu do wnętrza urządzenia. Urządzenie powinno być naprawiane przez wykwalifikowany personel serwisu. Nie wolno rozkręcać urządzenia ani otwierać jego obudowy, gdyż wewnątrz nie ma żadnych części, które mogłyby być naprawiane przez użytkownika. Konserwacją i naprawą sprzętu zajmują się wyłącznie wykwalifikowani pracownicy serwisu.

INSTRUKCJE DOTYCZĄCE BEZPIECZEŃSTWA

1. **Przeczytać instrukcje** – przed korzystaniem z urządzenia należy przeczytać całość instrukcji obsługi oraz informacje o bezpieczeństwie.
2. **Zachować instrukcje** – należy zachować instrukcje użytkownika i obsługi w celu wykorzystania ich w przyszłości.
3. **Przestrzegać ostrzeżeń** – należy postępować zgodnie z wszystkimi ostrzeżeniami zamieszczonymi na urządzeniu oraz zgodnie z instrukcją obsługi.
4. **Przestrzegać instrukcji** – należy postępować zgodnie z instrukcją obsługi oraz wskazówkami dla użytkownika.
5. **Instalacja** – należy ustawić urządzenie zgodnie z instrukcjami producenta.
6. **Źródła zasilania** – urządzenie powinno być zasilane wyłącznie ze źródeł o parametrach podanych na oznaczeniach na kablu zasilania. Jeżeli użytkownik nie jest pewien, jakiego rodzaju zasilaniem dysponuje w domu, powinien skontaktować się ze sprzedawcą urządzenia lub lokalnym dostawcą energii elektrycznej.
7. **Uziemienie lub polaryzacja zasilania** – urządzenie nie musi być uziemione. Należy upewnić się, że wtyczka jest do końca włożona do gniazdka sieciowego lub przedłużacza, aby nie dopuścić do odsłonięcia bolców lub styków. Niektóre wersje urządzenia mogą być wyposażone w spolaryzowaną wtyczkę prądu przemiennego (z jednym bolcem szerszym). Tę wtyczkę można włożyć do gniazdka sieciowego tylko w jeden sposób. Jest to funkcja zabezpieczająca. Jeśli nie można włożyć wtyczki do gniazda, należy spróbować ją odwrócić. Jeśli wtyczka nadal nie pasuje do gniazda, należy zlecić elektrykowi jego wymianę. Nie wolno zdejmować zabezpieczeń z wtyczki spolaryzowanej. Gdy korzysta się z przedłużacza lub kabla zasilania innego niż dostarczony razem z urządzeniem, powinny mieć właściwe wtyczki oraz atest bezpieczeństwa wymagany w danym kraju.
8. **Zabezpieczenie kabla zasilania** – kable zasilania należy poprowadzić w taki sposób, aby nie można było po nich chodzić,

- przycisnąć lub przyciąć postawionymi przedmiotami. Zwrócić szczególną uwagę na wtyczki, gniazdka sieciowe i miejsca, w którym kable są wyprowadzone z urządzenia.
9. **Przeciążanie** – nie wolno przeciążać gniazdek ściennych, przedłużaczy i rozdzielaczy elektrycznych, ponieważ grozi to wybuchem pożaru lub porażeniem prądem elektrycznym.
 10. **Wentylacja** – urządzenie musi być poprawnie wentylowane. Nie wolno ustawiać urządzenia na łóżku, sofie lub podobnych powierzchniach. Nie wolno przykrywać urządzenia obrusami, serwetkami, gazetami itd.
 11. **Ciepło** – nie ustawiać urządzenia w pobliżu źródeł ciepła, takich jak grzejniki, promienniki, piece lub innych urządzeń (również wzmacniacze) wytwarzających ciepło. Nie stawiać na urządzeniu zapalonych świec i innych źródeł otwartego ognia.
 12. **Woda i wilgoć** – aby zmniejszyć zagrożenie pożarem lub porażeniem elektrycznym, nie wolno narażać urządzenia na bezpośrednie działanie deszczu, wody i wilgoci, jak np. w saunie czy w łazience. Nie używać niniejszego urządzenia w pobliżu wody, na przykład obok wanny, umywalki, zlewu kuchennego lub balii, w wilgotnej piwnicy lub w pobliżu basenu (lub w podobnych miejscach).
 13. **Przedmioty i ciecie w urządzeniu** – nie należy wciskać jakichkolwiek przedmiotów przez otwory urządzenia, ponieważ mogą one zetknąć się z punktami niebezpiecznego napięcia i podzespołami, co może wywołać pożar lub porażenie prądem. Pod żadnym pozorem nie należy rozlewać jakichkolwiek cieczy na powierzchni urządzenia. Nie wolno kłaść na wierzchu urządzenia przedmiotów zawierających ciecie.
 14. **Czyszczenie** – należy zawsze odłączyć urządzenie od gniazdką sieciowego przed czyszczeniem. Kurz dookoła głośnika można usunąć suchą szmatką. Jeśli do czyszczenia ma być użyty aerozol, nie należy kierować rozpylanego strumienia bezpośrednio na urządzenie, ale na szmatkę. Należy uważać, aby nie uszkodzić jednostek napędowych.
 15. **Wyposażenie dodatkowe** – nie wolno używać akcesoriów, które nie są dopuszczone przez producenta, gdyż mogą stwarzać zagrożenie.
 16. **Akcesoria** – nie wolno ustawiać urządzenia na niestabilnym wózku, stojaku, statywie, wsporniku czy stole. Urządzenie może ulec przewróceniu i uszkodzeniu oraz spowodować poważne obrażenia u dziecka lub osoby dorosłej. Należy używać wyłącznie wózków, stojaków, statywów, wsporników i stołów określonych przez producenta albo sprzedawanych wraz z urządzeniem. Montaż urządzenia należy przeprowadzać zgodnie z instrukcjami producenta, przy użyciu zestawu montażowego zalecanego przez producenta.
 17. **Przenoszenie urządzenia** – urządzenie umieszczone na wózku należy przesuwać bardzo ostrożnie. Gwałtowne zatrzymanie, zbyt duża siła lub nierówne powierzchnie mogą spowodować przewrócenie wózka wraz z urządzeniem.
 18. **Okres nieużywania urządzenia** – kabel zasilania urządzenia należy odłączyć od gniazdką sieciowego w trakcie burz z wyładowaniami atmosferycznymi lub gdy urządzenie nie będzie używane przez dłuższy czas.
 19. **Serwisowanie** – nie należy próbować własnoręcznego przeglądania urządzenia. Otwieranie pokrywy może spowodować kontakt z niebezpiecznym napięciem i narazić użytkownika na inne niebezpieczeństwa. Konserwacją i naprawą sprzętu zajmują się wyłącznie wykwalifikowani pracownicy serwisu.
 20. **Gdy urządzenie nie jest używane, należy odłączyć jego wtyczkę zasilania od gniazdką sieciowego. Gdy urządzenie jest podłączone do źródła zasilania, znajduje się w trybie czuwania i nie jest całkowicie wyłączone.**

21. **Części zamienne** – przy wymianie części należy sprawdzić, czy pracownik serwisu użył części zamiennych zalecanych przez producenta lub też czy części są identyczne jak część oryginalna. Dokonywanie wymiany na niezatwierdzone części grozi wybuchem pożaru, porażeniem prądem elektrycznym lub innymi niebezpieczeństwami.
22. **Główne bezpieczniki** – aby zabezpieczyć w sposób ciągły urządzenie przed pożarem, należy używać bezpieczników właściwego typu i parametrów.
23. Nie wolno zwiększać głośności przy słuchaniu części utworu o małej głośności lub przy braku wejściowego sygnału audio. W innym wypadku może dojść do uszkodzenia głośnika przy gwałtownym wzroście natężenia sygnału.
24. Jedynym sposobem całkowitego odłączenia urządzenia od źródła zasilania jest odłączenie kabla zasilania z gniazdka zasilania lub z urządzenia. Gniazdko sieciowe lub wejście kabla zasilania do urządzenia muszą być zawsze dostępne w trakcie używania produktu.
25. Urządzenie powinno się ustawić w pobliżu gniazdka sieciowego lub przedłużacza i w taki sposób, aby zawsze było dostępne.
26. Maksymalna temperatura otoczenia urządzenia wynosi 35°C.
27. **Wskazówki dotyczące wyładowań elektrostatycznych** – jeśli działanie urządzenia jest zakłócone wyładowaniami elektrostatycznymi, należy go wyłączyć i ponownie włączyć lub przenieść urządzenie w inne miejsce.
28. **Bateria**
 - a. Baterie nie mogą być narażone na działanie nadmiernego ciepła, jak np. promieni słonecznych, ognia itp.
 - b. Podczas użycia baterii należy zwrócić uwagę na aspekty ochrony środowiska.
 - c. Przestroga dotycząca używania baterii: aby nie dopuścić do rozszczelnienia baterii, które może spowodować obrażenia ciała bądź uszkodzenie urządzenia:
 - Podczas wkładania baterii zwrócić uwagę na jej polaryzację (+ i -).
 - Nie wolno jednocześnie używać różnych baterii — starych i nowych baterii standardowych i alkalicznych itd.
 - Należy wyjąć baterie z urządzenia, gdy nie będzie ono używane przez dłuższy czas.

Uwaga dotycząca ERP2 (urządzeń związanych z energią)

Niniejsze urządzenie z ekoprojektem spełnia wymagania etapu 2 Rozporządzenia Komisji (WE) nr 1275/2008 wprowadzającego dyrektywę 2009/125/WE dotyczącą poboru energii przez wyłączone i znajdujące się w trybie czuwania urządzenia elektroniczne do zastosowań biurowych i domowych.

Po upływie 60 minut bez wejściowego sygnału audio urządzenie automatycznie przejdzie w tryb czuwania. Informacje na temat przywrócenia normalnego działania można znaleźć w instrukcji obsługi.

Ważne informacje:

Niniejsze urządzenie jest wyposażone w funkcję trybu oszczędzania energii: jeśli w ciągu 60 minut nie jest podawany do niego żaden sygnał wejściowy, urządzenie automatycznie przejdzie w tryb czuwania w celu oszczędzania energii (norma ERP 2). Należy zauważyć, że ustawienie niskiego poziomu głośności w źródle sygnału audio może zostać rozpoznane jako stan „braku sygnału audio”: może to mieć wpływ na zdolność wykrywania sygnału z urządzenia oraz spowodować automatycznie przejście w tryb czuwania. W takim wypadku należy przywrócić transmisję sygnału audio lub zwiększyć poziom głośności w źródle sygnału audio (odtwarzacz MP3 itp.) w celu wznowienia odtwarzania. Jeśli problem nie ustąpi, prosimy o kontakt z lokalnym serwisem.

OSTRZEŻENIE

Urządzenie nie powinno być używane przez osoby (w tym dzieci) o obniżonej sprawności fizycznej, sensorycznej lub umysłowej oraz osoby z niewystarczającą wiedzą i doświadczeniem, jeśli nie znajdują się one pod nadzorem osoby odpowiedzialnej za ich bezpieczeństwo i nie zostały poinstruowane jak bezpiecznie używać urządzenia. Obecność osób dorosłych jest wymagana, jeśli urządzenie obsługują dzieci; pozwoli to zapewnić bezpieczne korzystanie z urządzenia.

1. Nie wolno pozostawić pracującego urządzenia bez nadzoru! Należy wyłączyć urządzenie, gdy nie jest ono używane, nawet przez krótką chwilę.
2. Urządzenia nie wolno obsługiwać za pośrednictwem zewnętrznego zegara z układem czasowym ani za pomocą oddzielnego układu ze zdalnym sterowaniem.
3. Aby uniknąć zagrożenia w przypadku uszkodzenia przewodu zasilania, wymianę powinien wykonać producent, autoryzowany punkt serwisowy lub inna osoba posiadająca odpowiednie kwalifikacje.
4. Przed przystąpieniem do obsługi urządzenia należy sprawdzić, czy jego napięcie odpowiada napięciu występującemu w lokalnej sieci zasilającej.
5. Nie wolno zakrywać otworów wentylacyjnych urządzenia np. gazetami, obrusem, zasłonami itp. Należy upewnić się, że nad urządzeniem jest co najmniej 20 cm wolnego miejsca, a z każdej jego strony — co najmniej 5 cm.
6. Nie należy dopuszczać do tego, aby na urządzenie kapała lub wylewała się ciecz, ani nie należy stawiać na nim przedmiotów wypełnionych cieczami, takich jak wazonny.
7. Aby uniknąć pożaru lub porażenia prądem elektrycznym, należy chronić urządzenie przed gorącymi miejscami, działaniem deszczu, wilgoci i pyłu.
8. Nie wolno ustawiać urządzenia w pobliżu jakichkolwiek źródeł wody, np. kranów, wanien, pralek lub basenów pływakich. Urządzenie należy ustawić na równym i stabilnym podłożu.
9. Nie wolno narażać urządzenia na silne pole magnetyczne.
10. Nie wolno stawiać urządzenia bezpośrednio na wzmacniaczu lub amplitunerze.
11. Nie wolno stawiać urządzenia w wilgotnym miejscu, gdyż wilgoć ma szkodliwy wpływ na podzespoły elektryczne.
12. Po wniesieniu urządzenia z zimnego do ciepłego miejsca lub do wilgotnego miejsca może dojść do kondensacji wilgoci na soczewce wewnątrz odtwarzacza. W takiej sytuacji urządzenie nie będzie działać prawidłowo. Należy pozostawić włączone urządzenie na około jedną godzinę, aby umożliwić odparowanie wilgoci.
13. Nie wolno czyścić urządzenia rozpuszczalnikami chemicznymi, gdyż mogą one zniszczyć lakier obudowy. Urządzenie wyciera się czystą, suchą lub nieznacznie zwilżoną ściereczką.
14. Podczas wyciągania wtyczki z gniazdka ściennego należy zawsze ciągnąć za wtyczkę, nigdy za kabel zasilania.
15. Gdy włączone urządzenie jest używane w pobliżu włączonego telewizora, może to być źródłem zakłóceń obrazu w postaci linii na ekranie. Zależy to od pasma fal transmisji TV. Nie oznacza to nieprawidłowego działania urządzenia ani telewizora. Jeśli są widoczne takie linie, należy odsunąć urządzenie od telewizora.
16. Wtyczka sieciowa jest używana do odłączania napięcia zasilającego i powinna być zawsze dostępna.
17. Aby nie dopuścić do ewentualnej utraty słuchu, nie wolno słuchać głośno muzyki przez dłuższy czas.





Deklaracja

Niniejszym Blaupunkt Competence Center 2N-Everpol Sp. z o.o. oświadcza, że to urządzenie jest zgodne z wymogami i innymi odpowiednimi postanowieniami dyrektywy 2014/53 / UE. Pełną deklarację zgodności można uzyskać na stronie www.blaupunkt.com w zakładce produktu.

Podmiot odpowiedzialny: 2N-Everpol Sp. z o.o., Puławska 403A, 02-801 Warszawa, Polska, Telefon: +48 22 331 99 59, e-mail: info@everpol.pl



Produkt został wyprodukowany z wysokiej jakości materiałów i podzespołów, które można poddać recyklingowi i ponownie użyć.



Jeśli na urządzeniu znajduje się znak przekreślonego kosza na śmieci, oznacza to, że produkt jest objęty postanowieniami dyrektywy europejskiej 2002/96/WE. Należy zapoznać się z wymaganiami dotyczącymi lokalnego systemu zbiórki odpadów elektrycznych i elektronicznych. Należy postępować zgodnie z lokalnymi przepisami. Nie wolno wyrzucać tego produktu razem ze zwykłymi odpadami domowymi. Prawidłowe usunięcie starego produktu zapobiegnie potencjalnym negatywnym skutkom dla środowiska naturalnego i zdrowia ludzkiego.



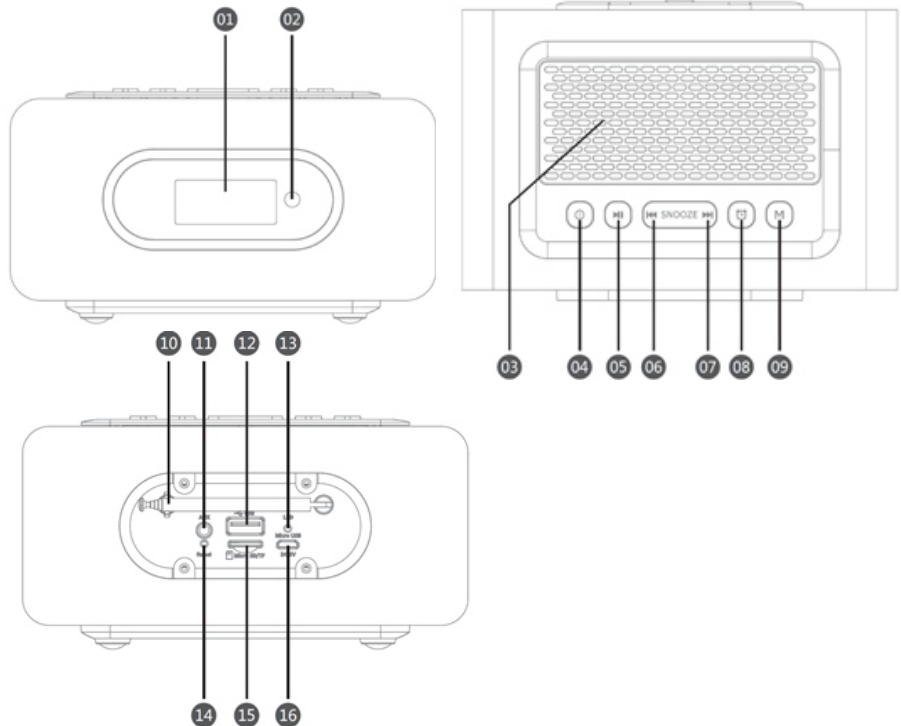
Urządzenie jest wyposażone w baterie objęte dyrektywą europejską 2006/66/WE. Baterii nie wolno wyrzucać razem z odpadami gospodarstwa domowego. Należy zapoznać się z lokalnymi przepisami dotyczącymi oddzielnej zbiórki baterii, ponieważ prawidłowa utylizacja zapobiegnie potencjalnym negatywnym skutkom dla środowiska naturalnego i zdrowia ludzkiego.

Informacje o ochronie środowiska naturalnego

Opakowanie zawiera tylko niezbędne elementy. Dołożono wszelkich starań, aby trzy materiały składowe opakowania były łatwe do oddzielenia: karton (pudełko), pianka polistyrenowa (zabezpieczenia wewnątrz) i polietylen (torebki, arkusz ochronny). Urządzenie wyprodukowano z materiałów, które można poddać recyklingowi i użyć ponownie po ich demontażu przez wyspecjalizowaną firmę. Należy przestrzegać lokalnych przepisów dotyczących utylizacji materiałów opakowaniowych, zużytych baterii i niepotrzebnych urządzeń.

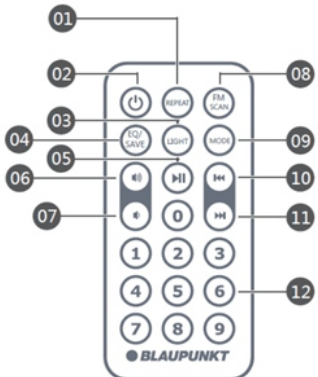
Nagrywanie i odtwarzanie materiałów może wymagać uzyskania zgody. Patrz ustawa o prawach autorskich i prawach wykonawców/artystów.

Położenie elementów sterujących



- | | |
|--|-----------------------------------|
| 01 - Wyświetlacz. | 02 - Czujnik zdalnego sterowania. |
| 03 - Głośnik. | 04 - Przycisk zasilania. |
| 05 - Przycisk Play / Pause (Odtwarzanie / Pauza) umożliwia odtwarzanie / wstrzymanie i wyciszenie. | |
| 06 - Przycisk „poprzedni”/ głośność - przycisk wyboru poprzedniej ścieżki i regulacji głośności. | |
| 07 - Przycisk „następny”/ głośność + przycisk wyboru kolejnej ścieżki i regulacji głośności. | |
| 08 - Przycisk zegara. | |
| 09 - Przycisk trybu odtwarzania USB / microSD / FM / AUX IN. | |
| 10 - Antena FM. | 11 - Gniazdo AUX IN. |
| 12 - Port USB. | |
| 13 - Wskaźnik zasilania LED. | 14 - Resetowanie systemu. |
| 15 - Slot kart microSD. | 16 - Gniazdo zasilania DC5V. |

Pilot zdalnego sterowania



- 01— Przycisk powtarzania (powtarzaj wszystko, losowo i powtarzaj jeden raz).
 02— Przycisk włączania i wyłączania zasilania.
 03— Przycisk LIGHT do regulacji jasności podświetlenia.
 04— Przycisk EQ/SAVE wyboru ustawień korektora graficznego (działa tylko w trybie odtwarzania z pamięci USB/karty microSD).
 05— Przycisk odtwarzania/pauzy.
 06— Zwiększenie głośności.
 07— Zmniejszenie głośności.
 08— Przycisk skanowania FM.
 09— Przycisk trybu pracy do wyboru źródła sygnału.
 10— Przycisk poprzedniego utworu.
 11— Przycisk następnego utworu.
 12— Przyciski numeryczne (0–9).

Uwaga!

- Przed przystąpieniem do korzystania z pilota należy upewnić się, że zainstalowano w nim baterię Cr2025 z zachowaniem polaryzacji.
- Należy zdjąć folię izolacyjną przed użyciem pilota.
- Zużyte baterie należy wyrzucać do przeznaczonych do tego celu pojemników. Informacje na temat recyklingu baterii można uzyskać w samorządzie lokalnym.
- Zasięg roboczy pilota zdalnego sterowania wynosi 5 metrów (bez przeszkód między urządzeniami). Skieruj pilota na czujnik znajdujący się na przednim panelu.

Konfigurowanie oraz włączanie/wyłączanie urządzenia

Zasilanie DC: Podłącz dostarczony kabel USB do zasilacza sieciowego, a jego drugi koniec kabla USB do gniazda microUSB zasilania na panelu tylnym urządzenia. Następnie podłącz zasilacz sieciowy do gniazdka sieciowego. Po pomyślnym podłączeniu na urządzeniu włączy się czerwona dioda LED.

Ładowanie akumulatora: urządzenie rozpocznie ładowanie po podłączeniu do zasilania prądem stałym. Dioda LED na tylnym panelu zmieni kolor na zielony w przypadku całkowitego naładowania. Stan naładowania baterii można sprawdzić dzięki ikonie baterii w prawym górnym rogu wyświetlacza. Urządzenie wyłączy się automatycznie w przypadku wyczerpania baterii. Wówczas należy ponownie podłączyć urządzenie do ładowania.

Włączanie i wyłączenie urządzenia: Naciśnij i przytrzymaj przycisk zasilania na górnym panelu jednostki przez 2 sekundy, aby włączyć / wyłączyć urządzenie. Krótkie naciśnięcie przycisku zasilania z panelu górnego lub pilota może włączyć / wyłączyć tryb standby (wyświetlanie zegara, bez wyjścia dźwięku). Po włączeniu zasilania wyświetlacz zostanie podświetlony, a następnie można rozpocząć inne czynności.

Uwagi:

- Dostarczony kabel USB ma dwie wtyczki — uniwersalną USB i microUSB. Uniwersalna wtyczka USB służy do podłączenia zasilacza sieciowego, a wtyczka microUSB do podłączenia zasilania prądem stałym do gniazda w urządzeniu.
- Urządzenie można zasilać tylko dostarczonym razem z nim zasilaczem lub zasilaczem o identycznych parametrach znamionowych.
- Po wyłączeniu zasilania przy użyciu przycisku zasilania na panelu górnym urządzenie nie może być włączone za pomocą pilota ze względu na całkowite wyłączenie zasilania. Naciśnij ponownie przycisk zasilania na panelu górnym, aby ponownie uruchomić urządzenie.
- Urządzenie może odtwarzać dźwięk podczas ładowania. W przypadku jednorazowego pełnego cyklu ładowania zalecane jest całkowite wyłączenie urządzenia.

Regulacja podświetlenia wyświetlacza (ściemniacz)

Naciśnij przycisk "LIGHT" na pilocie zdalnego sterowania, aby ustawić jasność podświetlenia wyświetlacza pomiędzy wysokim / średnim i niskim poziomem.

Regulacja głośności: naciśnij i przytrzymaj przycisk poprzedni lub następny na panelu górnym, aby zwiększyć lub zmniejszyć poziom głośności.

Ustawienia czasu

Zegar: Włącz urządzenie, a następnie naciśnij krótko przycisk zasilania, aby przejść do trybu ustawień zegara. Trzykrotne, krótkie naciśnięcie przycisku „mode” rozpocznie ustawianie zegara a cyfry godzin zaczną migać na wyświetlaczu; naciśnij przycisk poprzedni / następny, aby wyregulować godzinę; naciśnij przycisk zegara aby przejść do ustawienia minut, lub w razie potrzeby naciśnij ponownie przycisk zegara, aby powrócić do ustawienia godziny; naciśnij przycisk poprzedni / następny, aby wyregulować minuty, a następnie naciśnij krótko przycisk zasilania, aby zakończyć ustawianie zegara.

Alarm: Włącz urządzenie, a następnie naciśnij krótko przycisk zasilania, aby wejść do ustawień alarmu. Krótkie naciśnięcie przycisku „mode” rozpoczyna ustawienie alarmu 1, a ikona alarmu 1 (dzwonek z cyfrą 1) zaświeci się; naciśnij przycisk poprzedni / następny, aby wyregulować godzinę; naciśnij przycisk zegara aby przejść do ustawienia minut, lub w razie potrzeby naciśnij ponownie przycisk zegara, aby powrócić do ustawienia godziny; naciśnij przycisk poprzedni / następny, aby wyregulować minuty;; naciśnij przycisk zegara aby przejść do wyboru źródła alarmu, naciśnij przycisk poprzedni / następny, aby przełączyć źródło alarmu między sygnałami dźwiękowymi / USB / microSD / radio;; krótko naciśnij przycisk odtwarzania / pauzy i przycisk zasilania, aby potwierdzić i zakończyć ustawienie alarmu.

W przypadku ustawienia alarmu nr 2 naciśnij dwukrotnie przycisk „mode”, aby uruchomić program ustawień. Dalsza procedura jest taka sama jak w przypadku ustawień alarmu nr 1.

Porady:

- a. Zegar i alarm będą działać w przypadku zasilania z akumulatora lub podłączenia zasilania sieciowego. Podczas długotrwałego używania urządzenia zalecamy podłączenie zasilania sieciowego.
- b. Gdy aktywowany jest alarm, naciśnij dowolny przycisk za wyjątkiem przycisku poprzedni / następny, aby wyłączyć dźwięk alarmu. Alarm włączy się ponownie w następnym dniu o tej samej godzinie. Czas trwania alarmu wynosi 5 minut i wyłącza się automatycznie w przypadku braku dalszej pracy.
- c. Po aktywowaniu alarmu naciśnij krótko przycisk drzemki, aby przejść do trybu drzemki. Alarm znowu włączy się po upływie kolejnych 5 minut. Naciśnij dowolny inny przycisk, aby wyłączyć drzemkę.
- d. Krótkie, pojedyncze naciśnięcie przycisku zegara na górnym panelu może włączyć lub wyłączyć alarm nr 1; krótkie, dwukrotne naciśnięcie tego przycisku może włączyć lub wyłączyć alarm nr 2; długie jego naciśnięcie może włączyć lub wyłączyć jednocześnie alarm 1 i alarm 2.
- e. Jeśli wybierzesz USB / microSD / radio jako źródło alarmu, naciśnij krótko przycisk odtwarzania / pauzy, aby wyświetlić który utwór lub stacja radiowa włączy się jako alarm, krótko naciśnij przycisk poprzedni / następny,, aby przełączyć utwór lub stację radiową, naciśnij przycisk odtwarzania / pauzy aby powrócić do ustawień alarmu.
- f. Gdy wybierzemy odtwarzanie jako źródło alarmu, oznacza to, że jednostka automatycznie włączy odtwarzanie radia / USB / microSD o wcześniej ustalonej godzinie. Krótkie naciśnięcie przycisku odtwarzania / pauzy umożliwi przełączenie źródła budzenia między radiem / USB / microSD. Urządzenie włączy się na 120 minut i wyłączy się automatycznie.
- g. Upewnij się, że nośniki USB / microSD z muzyką są podłączone poprawnie, jeśli wybierzesz USB / microSD jako źródło alarmu.
- h. Alarm jest również dostępny gdy urządzenie jest wyłączone (wyłączony wyświetlacz).

Funkcja uśpienia Sleep: Sleep: Gdy urządzenie znajduje się w trybie czuwania (na wyświetlaczu wyświetlana jest godzina), krótkie naciśnięcie przycisku play / pause aktywuje ustawienie trybu uśpienia, krótko naciśnij przycisk poprzedni / następny, aby wyregulować czas trwania funkcji uśpienia między 15/30/45/60/75/90/120 minut lub trybem wyłączonym, krótko naciśnij przycisk odtwarzania / pauzy, aby potwierdzić wybór. W trybie odtwarzania dźwięku (radio / USB / microSD / Bluetooth / aux), dźwięk zostanie wyłączony automatycznie po wybranym wcześniej czasie. Po powrocie do trybu gotowości naciśnij krótko przycisk odtwarzania / pauzy, aby sprawdzić pozostały czas funkcji uśpienia.

Obsługa radia FM

Urządzenie posiada rozkładaną antenę do słuchania stacji FM. Przed przystąpieniem do słuchania stacji FM należy całkowicie wysunąć antenę oraz ustawić odbiornik w pobliżu okna, aby uzyskać lepszy odbiór sygnału radiowego.

Włącz zasilanie urządzenia i naciśnij przycisk „mode” na panelu górnym lub przycisk MODE na pilocie aż do wyświetlenia trybu radia.

1. Automatyczne strojenie i programowanie stacji: naciśnij krótko przycisk FM SCAN lub naciśnij i przytrzymaj przez 3 sekundy przycisk odtwarzania/pauzy na pilocie lub panelu górnym, aby rozpocząć automatyczne skanowanie i zapisywanie stacji radiowych FM. Urządzenie umożliwia zapisanie maksymalnie 60 stacji.

2. Automatyczne skanowanie: naciśnij i przytrzymaj przycisk poprzedniego i następnego utworu na pilocie, aby automatycznie skanować dostępne stacje w górę lub w dół pasma.

3. Manualne programowanie stacji: Za pomocą automatycznego skanowanie wybierz ulubioną stację radiową a następnie naciśnij przycisk SAVE na pilocie zdalnego sterowania aby wprowadzić ją do pamięci. Krótko naciśnij przycisk "REPEAT" na pilocie zdalnego sterowania, a następnie naciśnij przycisk głośności+ lub - z pilota, aby zmienić częstotliwość radiową o 0,1 MHz, naciśnij przycisk "SAVE", aby ręcznie zapisać bieżącą stację; po upływie 10 sekund bez obsługi, przyciski regulacji głośności volume +/- wznowią funkcję regulacji głośności.

4. Usunięcie automatycznie zaprogramowanych stacji o słabym sygnale: w przypadku gdy podczas automatycznego programowania stacji radiowych urządzenie wprowadzi do pamięci programy o słabym sygnale możliwe jest ich usunięcie. W tym celu podczas odtwarzania takiej stacji należy na pilocie zdalnego sterowania długo nacisnąć przycisk „0”. Stacja zostanie usunięta a w jej miejsce pojawi się kolejna zaprogramowana stacja.

5. Wywołanie danej stacji: aby ustawić stację o danej częstotliwości, można naciskać przyciski numeryczne na pilocie. Aby ustawić stację o częstotliwości 104,3 MHz, naciśnij przyciski numeryczne 1-0-4-3 na pilocie zdalnego sterowania. Urządzenie dostroi się odtworzy tę stację.

6. Wybieranie zaprogramowanych stacji: naciśnij krótko przycisk poprzedniego lub następnego utworu na panelu przednim lub pilocie, aby wybrać zaprogramowaną stację; można też wybrać stację, naciskając przyciski numeryczne na pilocie. Aby słuchać zaprogramowanej stacji nr 12, naciśnij przyciski numeryczne 1-2 na pilocie zdalnego sterowania; stacja zostanie odtworzona.

Obsługa odtwarzania z pamięci USB/kart microSD

Przed przystąpieniem do odtwarzania MP3 należy sprawdzić, czy podłączono pamięć USB do portu USB lub włożono kartę microSD do gniazda z tyłu urządzenia. Na urządzeniach pamięci muszą być skopiowane pliki muzyczne MP3. To urządzenie obsługuje pamięci o pojemności do 32 GB.

1. Naciśnij przycisk MODE lub M, aby przełączyć się w tryb odtwarzania z pamięci USB lub karty microSD. Urządzenie automatycznie wykryje muzykę i rozpocznie odtwarzanie po wyświetleniu łącznej liczby plików.
2. Naciśnij krótko przycisk poprzedniego lub następnego utworu, aby wybrać poprzedni lub następny utwór; naciśnij i przytrzymaj przycisk poprzedniego lub następnego utworu na pilocie zdalnego sterowania, aby szybko przewijać utwór do tyłu lub do przodu.
3. Naciśnij przyciski numeryczne na pilocie, aby szybko wybrać i odtworzyć utwór o danym numerze.
4. Naciśnij krótko przycisk REPEAT na pilocie, aby wybrać tryb powtarzania: jednego utworu, wszystkich utworów lub odtwarzania losowego. Naciśnij i przytrzymaj przez 3 sekundy przycisk play/pauza na panelu przednim, aż do uzyskania tej samej operacji.
5. Jeśli chcesz powtórzyć odtwarzanie pewnego fragmentu utworu, naciśnij i przytrzymaj przez 3 sekundy przycisk REPEAT aż do wyświetlenia symbolu P-A na wyświetlaczu w celu wybrania początku fragmentu; następnie naciśnij i przytrzymaj przez 3 sekundy przycisk REPEAT aż do wyświetlenia symbolu P-b w celu wybrania końca. Urządzenie będzie powtarzać wybrany fragment. Naciśnij i przytrzymaj przycisk REPEAT aż do wyświetlenia symbolu P-E na wyświetlaczu; spowoduje to anulowanie funkcji powtarzania.
6. W trakcie odtwarzania plików MP3 naciśnij krótko przycisk EQ na pilocie, aby wybrać ustawienie korektora graficznego: NORMAL/ROCK/POP/CLASS/JAZZ/BASS.

Uwagi:

- a. Nie zaleca się używania kabla przedłużającego USB, ponieważ ma to wpływ na jakość sygnału audio i powstawanie zakłóceń (szumu).
- b. Urządzenie automatycznie odczyta pliki tylko po podłączeniu pamięci USB lub włożeniu karty microSD.

Obsługa wejścia AUX IN (połączenia Mp3)

Podłącz jeden koniec dostarczonego kabla stereofonicznego 3,5 mm–3,5 mm do gniazda AUX IN z na panelu tylnym urządzenia, a drugi koniec do odtwarzacza zewnętrznego (np. odtwarzacza MP3). Tryb pracy radioodtwarzacza zmieni się automatycznie na AUX IN. Wybierz muzykę w odtwarzaczu zewnętrznym i rozpocznij jej odtwarzanie. Głośnik odtworzy muzykę. Odtwarzacz podłączony do wejścia AUX IN obsługuje się za pomocą jego przycisków. W trybie AUX IN można używać pokrętła regulacji głośności oraz odtwarzania/pauzy.

Specyfikacja:

Źródło zasilania: DC IN 5V / 600mA

3.7V / 1800mA (pojemność baterii)

RMS Moc wyjściowa: 2 x2,5 W RMS.

Częstotliwość FM: 87,5 ~ 108,0 Mhz.

Dane znamionowe USB: 150 mA.

Pobór mocy: 9,5 W

Pobór mocy w trybie gotowości: <0,5 W

Ustawienia fabryczne:

Czas systemowy: 00:00,

Format czasu: 24 godziny.

Czas uśpienia: wyłączony

Czas trwania alarmu: 5 minut

Głośność: 15

(Specyfikacja może ulec zmianie bez wcześniejszego powiadomienia)

Rozwiązywanie problemów

1. Nie włącza się wyświetlacz.

- a. Sprawdź, czy podłączono prawidłowo zasilanie prądem stałym.
- b. Naciśnij i przytrzymaj 3 sekundy przycisk zasilania, aby włączyć urządzenie.
- c. Jeśli problem nie ustąpi, prosimy o kontakt z lokalnym serwisem.

2. Niezadowolająca jakość dźwięku stacji radiowej.

- a. W celu uzyskania najlepszego odbioru urządzenie należy postawić w pobliżu okna.
- b. Dostrój się do innej stacji radiowej.
- c. Jeśli problem nie ustąpi, prosimy o kontakt z lokalnym serwisem.

3. Niezadowolająca jakość dźwięku podczas odtwarzania z pamięci USB lub karty microSD.

- a. Upewnij się, że pamięć USB i karta microSD są dobrze podłączone/włożone.
- b. Jeśli problem nadal występuje, wyłącz i włącz zasilanie radioodtwarzacza.
- c. Jeśli problem nie ustąpi, prosimy o kontakt z lokalnym serwisem.

Informacja dla użytkowników o sposobie postępowania ze użytym sprzętem elektrycznym i elektronicznym.



Symbol przekreślonego kołowego kontenera na odpady umieszczony na produktach informuje, że użytego sprzętu elektrycznego i elektronicznego nie można wyrzucać wraz z odpadami komunalnymi. Wyrzucając elektrośmieci do kontenera stwarzasz zagrożenie dla środowiska. Segregując i przekazując do przetworzenia, odzysku, recyklingu oraz utylizacji użyte urządzenia elektryczne i elektroniczne chronisz środowisko przed zanieczyszczeniem i skażeniem, przyczyniasz się do zmniejszenia stopnia wykorzystania zasobów naturalnych oraz obniżenia kosztów produkcji nowych urządzeń.

Szczegółowe informacje o najbliższym punkcie zbiórki można uzyskać bezpośrednio od sprzedawcy lub w firmie Blaupunkt Competence Centre, 2N-Everpol Sp. z o.o., ul. Puławska 403A, 02-801 Warszawa, tel. +48 22

DŮLEŽITÉ BEZPEČNOSTNÍ POKYNY



Důležité bezpečnostní pokyny

Upozornění:

Pro snížení rizika úrazu elektrickým proudem nezasahujte do vnitřních částí přístroje a neodstraňujte jeho kryt. V případě poruchy svěřte servis produktu autorizovanému servisu.

Vysvětlení grafických symbolů:



Symbol blesku v trojúhelníku označuje neizolovaný materiál v jednotce, který může způsobit úraz elektrickým proudem. Pro bezpečnost všech ve vaší domácnosti, prosím, neodstraňujte kryt výrobku.



Symbol vykřičníku v trojúhelníku upozorňuje na funkce, o kterých byste si měli pozorně přečíst příložené informace, abyste zabránili potížím s provozem a údržbou zařízení.

K dosažení vaší nejvyšší spokojenosti a radosti z používání našeho produktu, přečtěte si prosím nejdříve pečlivě tento návod a seznamte se s jeho funkcemi před tím, než jej začnete používat. To vám zajistí léta bezproblémového výkonu produktu a požitek z hudby.

Důležitá upozornění

- Tyto bezpečnostní a provozní pokyny uchovejte pro budoucí použití.
- Přístroj nesmí být vystaven vodě a umístěn ve vlhkém prostředí (např. v koupelně).
- Výrobek by neměl být umístěn:
 - o na místech vystavených přímému slunečnímu záření nebo v blízkosti topných těles.
 - o na jiných stereofonních zařízeních, která vyzařují příliš tepla.
 - o na místech, kde by bylo zamezeno ochlazování přístroje pomocí jeho ventilátoru nebo v prašném prostředí.
 - o na místech, která konstantně vibrují.
 - o na vlhkých a mokrých prostorách.
 - o v blízkosti zapálených svíček nebo jiných zdrojů otevřeného ohně.
- Výrobek používejte pouze podle pokynů v této příručce.
- Před prvním zapnutím přístroje se ujistěte, že je napájecí kabel správně připojen.
- Přes USB propojujte přímo, nebo použijte USB-prodlužovací kabel, který není delší než 25 cm.

Z bezpečnostních důvodů neodstraňujte žádné kryty ani se nepokoušejte získat přístup k vnitřku výrobku. Nepokoušejte se odstranit šroubky, nebo otvírat kryt jednotky. Servis produktu a veškeré opravy vždy svěřte autorizovanému servisu a jeho kvalifikovanému personálu.

BEZPEČNOSTNÍ POKYNY

1. Čtete pokyny – před uvedením přístroje do provozu si přečtete veškeré bezpečnostní a provozní pokyny a návod k obsluze.
2. Uchovejte návod k obsluze – tento návod k obsluze uschovejte pro budoucí použití.
3. Dbejte varování – všechna varování na produktu a v návodu k obsluze je třeba dodržovat.
4. Postupujte podle pokynů – pokyny pro provoz a bezpečnostní pokyny je třeba dodržovat.
5. Instalace – instalujte výrobek v souladu s pokyny výrobce.
6. Napájecí zdroj – tento produkt napájejte pouze z druhu zdroje, který je uveden na napájecím kabelu. Pokud si nejste jistí, jaký typ napájení máte doma, obraťte se na svého prodejce výrobků nebo místní energetickou společnost.
7. Uzemnění nebo polarizace – výrobek nemusí být uzemněn. Ujistěte se, že zástrčka napájecího kabelu je zcela zasunuta do elektrické zásuvky nebo do prodlužovacího kabelu tak, aby bylo zamezeno vzniku přechodového odporu a tím možného rizika vzniku požáru. Používáte-li prodlužovací napájecí kabel neoriginální napájecí kabel od jiného výrobce, než který je dodáván jako součást balení s výrobkem, musí být tento neoriginální kabel vybaven příslušnými kontakty pro propojení s výrobkem a musí mít bezpečnostní schválení pro použití v dané zemi.
8. Ochrana napájecího kabelu – napájecí kabely by měly být vedeny tak, aby nebyly přehnuty, stačeny předměty umístěnými na nebo proti nim, po napájecím kabelu by nemělo být chozeno. Před těmito nežádoucími vlivy chraňte zejména konektory kabelů na zapojení do zásuvky a pro napojení s produktem.
9. Přetížení – nepřetěžujte elektrické zásuvky, prodlužovací kabely nebo vícenásobné zásuvky, následkem takového přetěžování je zvýšené riziko požáru nebo úrazu elektrickým proudem.
10. Větrání – výrobek musí být umístěn na řádně větrané místo. Nepokládejte výrobek na postel, pohovku, nebo jiný podobný povrch. Nezakrývejte výrobek věcmi, jako jsou ubrusy, noviny, apod.
11. Teplota – tento produkt by neměl být umístěn v blízkosti zdrojů tepla, jako jsou radiátory, regulátory tepla, kamna, zesilovače a jiná zařízení, která produkují teplo. Na přístroji nesmí být umístěn žádný zdroj otevřeného ohně, například zapálené svíčky.
12. Voda a vlhkost – pro snížení rizika požáru nebo úrazu elektrickým proudem, nevystavujte výrobek kapající, stříkající nebo tekoucí vodě a nadměrné vlhkosti, např. v sauně či koupelně. Nepoužívejte tento výrobek v blízkosti vody, například u vany, umyvadla, dřezu, kádě, ve vlhkém sklepě, v blízkosti bazénu apod.
13. Vniknutí předmětů a tekutin – nikdy nevkládejte jakékoli cizí předměty do otvorů výrobku, mohly by se dotknout míst pod vysokým napětím nebo by mohly způsobit zkrat, což může vést k požáru nebo úrazu elektrickým proudem. Nikdy nelijte jakoukoli tekutinu jakéhokoli druhu na výrobek ani do výrobku. Neumísťujte jakýkoli předmět obsahující tekutinu na povrch výrobku (např. váza, sklenička s vodou apod.).
14. Čištění – před čištěním odpojte výrobek z elektrické zásuvky. Prach z přístroje odstraňujte suchým hadříkem. Chcete-li používat aerosolové čisticí spreje, nestříkejte přímo na výrobek; nastříkejte čisticí prostředek na hadřík a poté aplikujte. Dávejte pozor, aby nedošlo k poškození hrací jednotky.
15. Příslušenství – nepoužívejte neoriginální příslušenství, které není doporučené výrobcem produktu, neoriginální příslušenství může ohrozit bezpečné používání a funkci výrobku.
16. Umístění – neumísťujte výrobek na nestabilní vozík, stojan, trojnožku, konzolu nebo stolek. Výrobek může spadnout a způsobit vážné zranění dětem nebo dospělým a může dojít k vážnému poškození výrobku. Používejte pouze se stabilním vozíkem,

- stojanem, trojnožkou, držákem nebo stolem, nebo zařízením doporučeným výrobcem nebo prodáváním spolu s výrobkem. Pokud je nutná jakákoliv montáž výrobku, říďte se pokyny výrobce a používejte pouze montážní příslušenství doporučené výrobcem.
17. Manipulace s produktem – při přemísťování produktu na vozíku je nutno dodržovat opatrnost. Prudká změna směru, prudké zastavení, vysoká rychlost nebo nerovný povrch mohou způsobit převrhnutí vozíku a tím případně poškození produktu.
 18. Období nepoužívání – pokud je zařízení delší dobu nepoužíváno musí být napájecí kabel přístroje odpojen z elektrické zásuvky. Odpojte napájecí kabel z elektrické zásuvky během bouřky.
 19. Servis – nepokoušejte se o servis nebo o opravu tohoto přístroje svépomocí, otevření nebo odstranění krytů přístroje vás může vystavit nebezpečí úrazu elektrickým proudem nebo jinému nebezpečí. Veškeré opravy přístroje svěťte kvalifikovanému servisnímu personálu autorizovaného servisu.
 20. Prosím, pokud není v provozu, odpojte napájecí kabel z hlavního zdroje energie nebo z elektrické zásuvky ve zdi. Ve chvíli, kdy je napájecí kabel zapojen ke zdroji elektrické energie, je systém v pohotovostním režimu, to znamená, že přístroj není zcela vypnutý a proudí do něj elektrická energie.
 21. Náhradní díly – pokud jsou potřeba náhradní díly, ujistěte se, že servisní technik použil náhradní díly, které jsou specifikované výrobcem nebo mají stejné vlastnosti jako originální díly. Neoprávněná výměna může vést k požáru, úrazu elektrickým proudem nebo způsobit jiné nebezpečí.
 22. Síťové pojistky – pro trvalou ochranu proti požáru, používejte pouze správný typ pojistek. Správná specifikace pojistek je pro každý rozsah napětí vyznačena na výrobku.
 23. Nezvyšujte příliš hlasitost při poslechu pasáží s velmi nízkou úrovní hlasitosti nebo při náhlé úplné absenci zvuku. Pokud tak učiníte, může ve chvíli opětovného zvýšení úrovně hlasitosti přehrávané pasáže dojít k poškození reproduktorů.
 24. Pokud chcete přístroj úplně odpojit od napájení, musíte odpojit napájecí kabel od přístroje nebo od elektrické zásuvky. Elektrická zásuvka nebo a vstup pro napájecí kabel k výrobku musí zůstat volně přístupné po celou dobu používání přístroje v provozu.
 25. Je vhodné umístit produkt do blízkosti elektrické zásuvky nebo prodlužovačky, které musí být snadno přístupné.
 26. Nejvyšší teplota prostředí vhodná pro tento výrobek je 35 °C.
 27. ESD tip – Pokud dojde k vyresetování přístroje nebo není obnoven jeho provoz z důvodu elektrostatického výboje, je třeba výrobek vypnout, odpojit napájecí kabel a pak jej znovu připojit, případně přesunout přístroj na jiné místo.
 28. Baterie
 1. Baterie nesmí být vystaveny nadměrnému teplu, jako například působení přímého slunečního světla, ohně a podobně.
 2. Používané baterie by měly být vhodné pro ekologickou likvidaci baterií.
 3. UPOZORNĚNÍ pro používání baterií – pro zamezení úniku elektrolytu z baterie, který může způsobit poranění, poškození majetku nebo přístroje:
 - Všechny baterie nainstalujte správně, + a - jak je vyznačeno na přístroji.
 - Nekombinujte baterie (staré a nové nebo uhlíkové a alkalické apod.)Pokud nebudete přístroj delší dobu používat, vyjměte baterie ven.

ERP2poznámka (Energy Related Products)

Tento produkt je v souladu s požadavky stupně 2 nařízení Komise (ES) č.. 1275/2008,

kterým se řídí směrnice 2009/125/ES, posuzující spotřebu elektrické energie výrobku v pohotovostním režimu a ve vypnutém stavu pro zařízení určených pro domácnosti a kanceláře. Po 60 minutách bez jakéhokoliv audio vstupu, se přístroj automaticky přepne do pohotovostního režimu. Řiďte se tímto návodem k obsluze, kde se dočtete ja obnovit provoz zařízení.

Důležitá poznámka:

Tento přístroj je vybaven režimem úspory energie: pokud není dán signál po dobu 60 minut, přístroj se automaticky přepne do pohotovostního režimu, aby se ušetřila energie (ERP 2 standardní). Vezměte prosím na vědomí, že nízká nastavení hlasitosti ve zvukovém zdroji lze uznat jako "žádný zvukový signál"- to může mít vliv na schopnost detekce signálu ze zařízení a způsobit automatický přechod do pohotovostního režimu. Pokud se tak stane, aktivujte prosím audio přenos signálu nebo zvýšte nastavení hlasitosti na zdrojovém audio přehrávači (MP3 přehrávač atd.), aby bylo možné pokračovat v přehrávání. Prosím, obraťte se na místní servisní středisko, pokud problém přetrvává.

VAROVÁNÍ

Tento spotřebič není určen pro používání osobami (včetně dětí) se sníženými fyzickými, smyslovými nebo duševními schopnostmi, nebo osobami bez patřičných zkušeností a znalostí, pokud jim nebyl poskytnut dohled nebo instrukce týkající se použití spotřebiče osobou zodpovědnou za jejich bezpečnost. Děti by měly být pod dozorem, aby se zajistilo, že si se spotřebičem nebudou hrát.

1. Nikdy nenechávejte zapnutý přístroj bez dozoru! Vypněte přístroj vždy, kdy jej nepoužíváte, byť jen na krátkou dobu.
2. Spotřebič není určen pro provoz prostřednictvím externího časovače nebo samostatného dálkového ovládání.
3. Je-li napájecí kabel poškozen, musí být nahrazen výrobcem, jeho servisním zástupcem (autorizovaným servisem) nebo obdobně kvalifikovanými pracovníky, aby se předešlo nebezpečí.
4. Před použitím tohoto systému zkontrolujte napětí, abyste se ujistili, že je totožné s napětím vaší místní elektrické sítě.
5. Přístroj nesmí mít zakryté větracích otvorů předměty, jako jsou noviny, ubrusy, záclony, atd. Ujistěte se, že nad přístrojem je nejméně 20 cm volného prostoru a kolem něj z každé strany nejméně 5 cm volného prostoru.
6. Přístroj nesmí být vystaven tekoucí, kapající nebo stříkající vodě. Předměty naplněné kapalinami, jako jsou např. vázy, nesmí být umístěny na přístroji.
7. Aby nedošlo k požáru nebo úrazu elektrickým proudem, neumísťujte toto zařízení na horkých místech, nevystavujte ho dešti, vlhkosti nebo prachu.
8. Neumísťujte tento přístroj v blízkosti jakýchkoliv zdrojů vody, např. kohouty, vany, pračky nebo bazény. Ujistěte se, že je přístroj umístěn na suchém, stabilním povrchu.
9. Neumísťujte tento přístroj v blízkosti silného magnetického pole.
10. Nepokládejte přístroj na zesilovače nebo přijímače.
11. Neumísťujte tento přístroj na vlhkém prostředí, vlhkost bude mít vliv na životnost elektrických komponent.
12. Pokud systém bezprostředně přemístíte z chladného do teplého prostředí, nebo pokud je umístěn ve velmi vlhké místnosti, může dojít ke kondenzaci vlhkosti uvnitř přehrávače. Pokud k tomu dojde, systém může být poškozen a nebude fungovat správně. Prosím, nechte systém zapnutý přibližně po dobu jedné hodiny, dokud se vlhkost neodpaří.

13. Nečistěte jednotku chemickými rozpouštědly, ta mohou poškodit povrch zařízení. Přístroj otřete čistým, suchým nebo lehce navlhčeným hadříkem.
14. Pokud je přístroj zapnut v blízkosti televizoru, může vlivem působení elektromagnetických vln dojít k ovlivnění funkčnosti obou zařízení. Na televizní obrazovce se mohou objevit čáry, rozpadat obraz, může být ovlivněn zvuk televizoru i přístroje, případně může být jak televizor, tak přístroj zcela nefunkční. Tomu zamezí umístěním přístroje v dostatečné vzdálenosti od televizoru.
15. Síťová zástrčka je používána jako odpojovací zařízení, odpojovací zařízení musí být vždy připraveno k použití.
16. Chcete-li zabránit možnému poškození sluchu, neposlouchejte delší dobu hudbu a rádio puštěné příliš nahlas.



Prohlášení o shodě

Blaupunkt Competence Center 2N-Everpol Sp. z o.o. tímto prohlašuje, že je toto zařízení v souladu se základními požadavky a dalšími příslušnými ustanoveními směrnice 2014/53 / EU. Prohlášení o shodě lze získat ze stránky produktu na www.blaupunkt.com.

Odpovědná strana: 2N-Everpol Sp. z o.o, Puławska 403A, 02-801 Varšava, Polsko,
Tel: +48 22 331 99 59, E-mail: info@everpol.pl



Naše produkty jsou navrženy a vyrobeny z vysoce kvalitních materiálů a komponent, které jsou recyklovatelné a znovu použitelné.



Je-li tento symbol přeškrtnutého kontejneru uveden na výrobku, znamená to, že výrobek podléhá směrnici EU 2002/96/ES. Informujte se prosím o místní systém sběru tříděného odpadu pro elektrické a elektronické výrobky. Prosím řiďte se místními pravidly a nelikvidujte staré produkty spolu s běžným komunálním odpadem. Správnou likvidací starého výrobku pomůžete předejít možným negativním dopadům na životní prostředí a lidské zdraví.



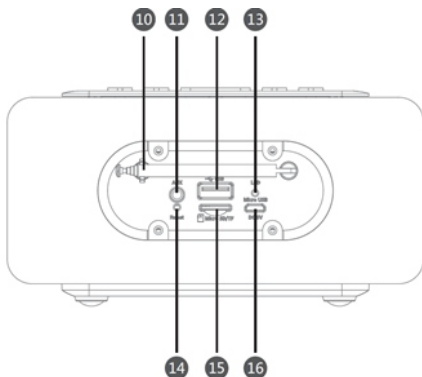
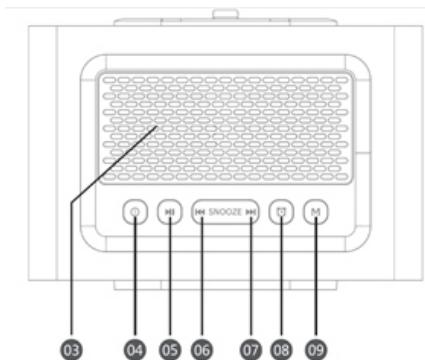
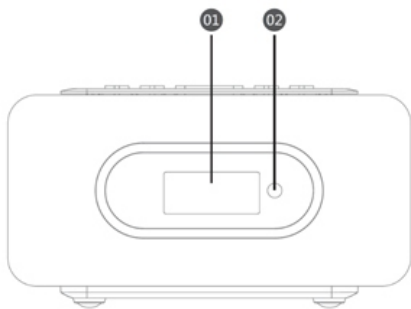
Výrobek obsahuje baterie podléhající směrnici EU 2006/66/EC, které nelze vyhazovat do běžného domovního odpadu. Informujte se prosím o místních pravidlech o sběru baterií, neboť správnou likvidací pomůžete předcházet negativním důsledkům pro životní prostředí a lidské zdraví.

Informace týkající se životního prostředí

Výrobek je zabalen pouze v nezbytném obalu pro jeho ochranu. Snahou naší firmy je, aby byl obalový materiál snadno rozdělitelný na tři materiály: lepenku (krabice), polystyrén (ochranné balení) a polyethylen (sáčky, ochranné fólie z lehčeného plastu). Výrobek se skládá z materiálů, které lze recyklovat a znovu použít v případě demontáže odbornou firmou. Dodržujte prosím místní předpisy týkající se likvidace obalových materiálů, vybitých baterií a starého zařízení.

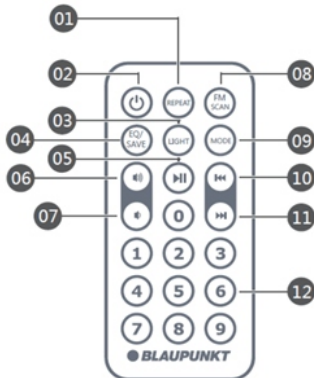
Na nahrávání a přehrávání materiálů může být vyžadován souhlas. Viz Zákon o Copyrightu Act 1956 a Zákon na ochranu umělců Sk 1958-1972.

Umístění ovládacích prvků



- | | |
|---|-------------------------------|
| 01 - Displej | 02 - Čidlo dálkového ovládání |
| 03 - Reproduktor | 04 - Tlačítko napájení |
| 05 - Tlačítko Play / Pause (Přehrávání / Pauza) pro přehrávání / zastavení a ztišení | |
| 06 - Tlačítko „předchozí“ / hlasitost - (tlačítko pro výběr předchozí zvukové stopy a snížení hlasitosti) | |
| 07 - Tlačítko „následující“ / hlasitost + (tlačítko pro výběr následující zvukové stopy a zvýšení hlasitosti) | |
| 08 - Tlačítko hodin | |
| 09 - Tlačítko pro výběr režimu přehrávání USB / microSD / FM / AUX IN | |
| 10 - Anténa FM | 11 - Zdířka AUX IN |
| 12 - Port USB | 13 - Kontrolka napájení LED |
| 14 - Reset systému | 15 - Slot pro kartu microSD |
| 16 - Zásuvka napájení DC 5V | |

Dálkový ovladač



- 01 - Tlačítko opakování (opakovat vše, v náhodném pořadí, opakovat jednou)
- 02 - Tlačítko zapnutí a vypnutí napájení
- 03 - Tlačítko LIGHT pro nastavení intenzity osvětlení
- 04 - Tlačítko EQ/SAVE pro nastavení grafického ekvalizéru (je aktivní pouze v režimu přehrávání z paměti USB/karty microSD)
- 05 - Tlačítko přehrávání/pauza
- 06 - Tlačítko zvýšení hlasitosti
- 07 - Tlačítko snížení hlasitosti
- 08 - Tlačítko ladění FM
- 09 - Tlačítko pracovního režimu pro výběr zdroje signálu
- 10 - Tlačítko pro výběr předchozí skladby
- 11 - Tlačítko pro výběr následující skladby
- 12 - Numerická tlačítka (0-9)

Pozor!

- a. Než začnete dálkový ovladač používat, zkontrolujte zda jsou v něm vloženy baterie Cr2025 s dodržením předepsané polarity.
- b. Než začnete dálkový ovladač používat, sejměte izolační fólii.
- c. Vybité baterie vyhazujte pouze do nádob, které jsou k tomu určeny. Informace o směrném místě, kam lze odevzdat vybité baterie, se dozvíte u orgánů místní samosprávy.
- d. Pracovní dosah dálkového ovladače činí 5 metrů (bez překážek mezi zařízeními). Namiřte dálkový ovladač na čidlo, které se nachází na čelním panelu zařízení.

Nastavení a zapnutí/vypnutí zařízení

Napájení DC: Zapojte přibalený USB kabel do síťového adaptéru a jeho druhý konec do napájecí zásuvky microUSB na zadním panelu zařízení. Potom připojte síťový adaptér do síťové zásuvky. Po správném připojení napájení se na zařízení rozsvítí červená LED dioda.

Nabíjení akumulátoru: zařízení začne nabíjet akumulátor po připojení ke zdroji stejnosměrného proudu (napájecí adaptér). Po celkovém nabití akumulátoru se barva LED diody na zadním panelu změní na zelenou. O stavu nabíjení akumulátoru informuje ikona ve tvaru baterie zobrazená v pravém horním rohu displeje. V případě vybití akumulátoru se zařízení automaticky vypne. Pak je nutno zařízení opět připojit k nabíječce.

Zapnutí a vypnutí zařízení: Stisknutím a přidržením tlačítka napájení na horním panelu zařízení na 2 sekundy zařízení zapnete nebo vypnete. Krátkým stisknutím tlačítka napájení na horním panelu zařízení nebo na dálkovém ovladači uvedete zařízení do pohotovostního režimu (svítí pouze hodiny, zvukový výstup je vypnut). Po zapnutí napájení se displej rozsvítí a můžete využívat další funkce.

Upozornění:

- Dotaný USB kabel má dvě koncovky (konektory) - univerzální USB a microUSB. Univerzální koncovka USB se připojuje k síťovému adaptéru, koncovka microUSB se zapojí do příslušné zásuvky na zařízení.
- Zařízení lze napájet pouze ze síťového adaptéru, který byl dodán spolu s ním nebo ze síťového adaptéru se stejnými jmenovitými parametry.
- Po vypnutí napájení pomocí tlačítka napájení na jeho horním panelu je zařízení zcela vypnuta a nelze ho zapnout dálkovým ovladačem. Opětovné zapnutí zařízení je možné pouze stisknutím uvedeného tlačítka na jeho horním panelu.
- Během napájení nejsou nijak omezeny další funkce zařízení (možnost přehrávání audia). Při jednorázovém plném nabíjecím cyklu se doporučuje zařízení zcela vypnout.

Nastavení intenzity osvětlení displeje (stmívač)

Stisknutím tlačítka LIGHT na dálkovém ovladači nastavíte intenzitu osvětlení displeje: vysokou, střední nebo nízkou

Nastavení hlasitosti:

Stisknutím a podržením tlačítka „předchozí“ nebo „následující“ na horním panelu zvětšíte nebo snížíte hlasitost velkou rychlostí (skokově); krátkým stisknutím tlačítka „předchozí“ nebo „následující“ ihned po nastavení hlasitosti velkou rychlostí (skokově) můžete hlasitost nastavit po malých krocích; po 3 sekundách od posledního stisknutí se tlačítka „předchozí“ nebo „následující“ automaticky vrátí do režimu volby předchozí nebo následující skladby (zvukové stopy).

Nastavení času

Hodiny: Zapněte zařízení a následně krátce stiskněte tlačítko napájení, čímž přejdete do režimu nastavení hodin. Třikrát za sebou krátce stiskněte tlačítko „mode“, čímž přejdete k nastavení hodiny a číslice hodin na displeji začnou blikat; stisknutím tlačítka „předchozí“ nebo „následující“ nastavte hodinu; stisknutím tlačítka hodin přejděte k nastavené minut (nebo v případě potřeby opět stiskněte tlačítko hodin, chcete-li se vrátit změnit nastavení hodiny); stisknutím tlačítka „předchozí“ nebo „následující“ nastavte minuty a pak krátce stiskněte tlačítko napájení, čímž se nastavení hodin ukončí.

Budík: Zapněte zařízení a následně krátce stiskněte tlačítko napájení, čímž přejdete do režimu nastavení budíku. Krátce stiskněte tlačítko „mode“, čímž přejdete k nastavení budíku č. 1 a na displeji se rozsvítí ikona zvonečku s číslicí 1; stisknutím tlačítka „předchozí“ nebo „následující“ nastavte hodinu; stisknutím tlačítka hodiny přejděte k nastavení minut (nebo v případě potřeby ještě jednou stiskněte tlačítko hodiny, chcete-li se vrátit a změnit nastavení hodiny); stisknutím tlačítka „předchozí“ nebo „následující“ nyní nastavte minuty; stisknutím tlačítka hodiny pak přejděte k výběru zdroje zvukového výstupu a tlačítkem „předchozí“ nebo „následující“ zvolte zdroj buzení: USB / microUSB / rádio; krátce stiskněte tlačítko přehrávání / pauza a tlačítko napájení, čímž nastavení budíku potvrdíte a ukončíte..
Pro nastavení budíku č. 2 stiskněte dvakrát tlačítko „mode“, čímž se přepnete do režimu nastavení druhého budíku. Další postup je obdobný jako při nastavení budíku č. 1.

Rady:

- a. Hodiny a budíky budou fungovat pouze při nabitém akumulátoru nebo napájení ze síťového adaptéru. Při dlouhodobém používání zařízení doporučujeme zařízení celou dobu napájet ze sítě.
- b. Začne-li budík zvonit (hrát), můžete zvonění vypnout stisknutím libovolného tlačítka kromě tlačítka předchozí / následující. Budík pak zazvoní následující den ve stejnou hodinu. Budík zvoní (hraje) po dobu 5 minut, poté se buzení automaticky vypne, pokud jej nevypnete dříve.
- c. Chcete-li si přispat, stiskněte během zvonění budíku krátce tlačítko pro opakované buzení. Zvuk budíku utichne a znovu se ozve za 5 minut. Opakované buzení vypnete otočením kolečka pro nastavení hlasitosti.
- d. Jedním krátkým stisknutím tlačítka hodin na horním panelu můžete zapnout nebo vypnout budík č. 1; dvěma krátkými stisky tohoto tlačítka můžete zapnout nebo vypnout budík č. 2; Opakované buzení vypnete stisknutím libovolného jiného tlačítka.
- e. Zvolíte-li jako zdroj buzení USB / microSD / rádio, stiskněte krátce tlačítko přehrávání / pauza, následně tlačítkem předchozí / následující zvolte na displeji, která skladba nebo rozhlasová stanice se má rozeznít při buzení, a pak opět stiskněte tlačítko přehrávání / pauza, čímž se vrátíte zpět do nastavení budíku.
- f. Zvolíte-li jako zvonek přehrávání, znamená to, že zařízení v zadaném čase automaticky zapne rádio nebo přehrávání záznamu z paměti USB nebo karty microSD. Krátkým stisknutím tlačítka přehrávání / pauza umožňuje přepínat zdroje zvuku buzení mezi nádiem / USB / microSD. Zařízení se zapne na 120 minut a pak se automaticky vypne.
- g. Zkontrolujte, zda nosiče USB / micro SD jsou zapojeny správně, pokud USB / microSD použijete jako zdroj zvuku.
- h. Funkce buzení je dostupná i při vypnutém zařízení (vypnutý displej).

Funcce uspání Sleep: Sleep: Když je zařízení v pohotovostním režimu (na displeji je zobrazen aktuální čas), pak krátkým stisknutím tlačítka play / pause můžete aktivovat nastavení režimu uspání. Krátkým stisknutím tlačítka předchozí / následující nastavte čas, po jehož uplynutí se má aktivovat režim Sleep, nebo režim Sleep vypněte. Krátkým stisknutím tlačítka přehrávání / pauza volbu potvrďte. V režimu přehrávání zvuku (rádio / USB / microUSB / Bluetooth / aux) se zvuk vypne automaticky po uplynutí výše nastaveného času. Po návratu do pohotovostního režimu můžete krátkým stisknutím tlačítka přehrávání / pauza zobrazit zbývající čas, po jehož uplynutí se zařízení uspí.

Použití FM rádia

Zařízení je vybaveno vytahovací anténou na poslouchání stanic FM. Než začnete poslouchat stanice FM, vytáhněte celou anténu a postavte přijímač do blízkosti okna, aby byl v lepším dosahu rozhlasových vln.

Zapněte napájení zařízení a stiskněte tlačítko „mode“ na horním panelu nebo tlačítko MODE na dálkovém ovladači, až se zobrazí režim rádia.

1. Automatické ladění a programování stanic: Automatické ladění a programování stanic: Pro zahájení automatického ladění a zapamatování rozhlasových stanic FM krátce stiskněte tlačítko FM SCAN nebo stiskněte a 3 sekundy podržte tlačítko přehrávání/pauza na dálkovém ovladači nebo horním panelu. Zařízení je schopno uložit do své paměti max. 60 stanic.

2. Automatické ladění: Stisknutím a přidržením tlačítka pro výběr předchozí a následující skladby na předním panelu nebo ovladači začne zařízení hledat dostupné rozhlasové stanice ve směru vyšších nebo nižších frekvencí přiděleného kmitočtového rozsahu.

Po nalezení nejbližší stanice hledání zastaví a tuto stanici spustí. Stisknutím tlačítka SAVE na ovladači aktuální stanici zapíšete do paměti.

3. Manuální ladění stanic: Po výběru oblíbené stanice pomocí automatického ladění krátkým stisknutím tlačítka SAVE na ovladači můžete tuto stanici zapsat do paměti. Dlouhým stisknutím tlačítka M na předním panelu zařízení a následným otočením kolečka hlasitosti můžete naladěnou frekvenci měnit skokově po 0,1 Mhz, po uplynutí 10 sekund bez používání kolečko nastavení hlasitosti obdrží zpět svůj původní účel. Pro manuální zapamatování aktuální stanice do paměti stiskněte tlačítko LIGHT na předním panelu.

4. Mazání automaticky naladěných stanic se slabým signálem: Jestliže si zařízení při automatickém ladění uloží do paměti stanice se slabým signálem, je možné tyto stanice z paměti vymazat. Po přepnutí na takovou stanici stiskněte a podržte na dálkovém ovladači tlačítko „0“. Stanice tím bude z paměti zařízení vymazána a na jejím místě se objeví následující zapamatovaná stanice.

5. Naladění stanice s předem známou frekvencí: Chcete-li naladit rozhlasovou stanici, můžete pomocí dálkového ovladače přímo zadat hodnotu vlnové frekvence, na které tato stanice vysílá. Chcete-li např. naladit rozhlasovou stanici vysílající na frekvenci 104,3 Mhz, stiskněte na dálkovém ovladači numerická tlačítka 1-0-4-3. Zařízení se naladí na tuto stanici.

6. Přepínání mezi předvolenými stanicemi: Mezi předvolenými stanicemi můžete přepínat krátkým stisknutím tlačítka pro vyvolání předchozí nebo následující skladby, který se nachází na dálkovém ovladači nebo předním panelu zařízení. Také můžete použít numerická tlačítka na ovladači. Chcete-li např. přepnout na rozhlasovou stanici z předvolby č. 12, stiskněte na dálkovém ovladači numerická tlačítka 1-2 a z rádia se ozve vysílání této stanice.

Přehrávání audio souborů z paměti USB a karet microSD

Před přehráváním MP3 souborů zkontrolujte, zda je přenosná paměť připojena k portu USB, nebo zda je karta microSD vložena do slotu na zadní stěně zařízení. Soubory nahrané na paměťová zařízení musí být ve formátu MP3. Tento přehrávač obsluhuje paměti s kapacitou do 32 GB.

1. Stisknutím tlačítka MODE nebo M přepněte zařízení do režimu přehrávání obsahu paměti USB nebo karty microSD. Zařízení automaticky vyhledá audio soubory, zobrazí na displeji celkový počet nalezených souborů a zahájí jejich přehrávání.
2. Krátkým stisknutím tlačítka „předchozí“ nebo „následující“ můžete nyní vybrat předchozí nebo následující skladbu; stisknutím a přidržetím tlačítka „předchozí“ nebo „následující“ můžete na dálkovém ovladači vybranou skladbu rychle převíjet vzad nebo vpřed.
3. Pomocí numerických tlačítek na dálkovém ovladači můžete rychle zvolit skladbu, kterou chcete přehrát, stisknutím jejího pořadového čísla.
4. Krátkým stisknutím tlačítka REPEAT na ovladači lze zvolit režim opakování jedné skladby, opakování všech skladeb nebo přehrávání skladeb v náhodném pořadí. Tyto režimy můžete také nastavit stisknutím tlačítka play/pauza na předním panelu a jeho podržením na 3 sekundy 5. Chcete-li opakovaně přehrát určitý úsek dané skladby, stiskněte na 3 sekundy tlačítko REPEAT, až se na displeji objeví symbol P-A, a pak nastavte počátek vybraného úseku; následně opět stiskněte a na 3 minuty podržte tlačítko REPEAT, až do zobrazení symbolu P-b, a pak nastavte konec vybraného úseku. Zařízení pak bude opakovaně přehrávat takto vybraný úsek. Pro zrušení funkce opakování vybraného úseku stiskněte a přidržte tlačítko REPEAT, až se na displeji objeví symbol P-E.
6. Během přehrávání souborů MP3 můžete krátkým stisknutím tlačítka EQ na ovladači měnit nastavení grafického ekvalizéru: NORMAL/ROCK/POP/CLASS/JAZZ/BASS.

Upozornění:

- a. Paměť USB nepřipojujte k zařízení pomocí prodlužovacího USB kabelu. Mohlo by dojít ke snížení kvality audio signálu a ke vzniku šumu.
- b. Zařízení automaticky načte soubory pouze z paměti USB nebo karty microSD.

Využití vstupu AUX IN (připojení vnějšího přehrávače MP3)

Jeden konec stereofonního kabelu s konektory 3,5 mm, dodaného spolu s tímto přehrávačem, zapojte do zdířky AUX IN na zadním panelu zařízení a jeho druhý konec zapojte do příslušné zdířky na vnějším zařízení (např. přehrávači MP3). Provozní režim přehrávače se tím změní na AUX IN. Na připojeném vnějším přehrávači vyberte hudbu a spusťte její přehrávání. Z reproduktoru začne hrát hudba přenášená z připojeného vnějšího přehrávače. Přehrávač připojený ke vstupu AUX IN se ovládá pomocí jeho ovládacích prvků. V režimu AUX IN lze používat kolečko pro ovládání hlasitosti a tlačítka pro přehrávání/pauza.

Specifikace:

Zdroj napájení: DC IN 5V / 600 mA
3.7V / 1800 mA (kapacita akumulátoru)

Výstupní výkon: 2 x 2,5 W RMS.

Kmitočtový rozsah FM: 87,5 ~ 108,0 Mhz.

Jmenovitý proud USB: 150 mA

Příkon: 9,5 W

Příkon v pohotovostním režimu: < 0,5 W

Tovární nastavení:

Systémový čas: 00:00

Formát času: 24 hodin

Funcce uspání: vypnutá

Čas buzení: 5 minut

Hlasitost: 15

Řešení problémů

1. Nesvítl se displej.

- Zkontrolujte, zda je správně připojeno napájení zařízení stejnosměrným proudem.
- Zapněte zařízení stisknutím tlačítka napájení na 3 sekundy.
- Jestliže se tím problém nevyřeší, kontaktujte nejbližší servisní středisko.

2. Nevyh ovující kvalita zvuku při poslechu rozhlasové stanice.

- Pro kvalitnější příjem signálu umístěte přijímač blíže okna.
- Přelaďte na jinou rozhlasovou stanici.
- Jestliže se tím problém nevyřeší, kontaktujte nejbližší servisní středisko.

3. Nevyhovující kvalita zvuku při přehrávání audio souborů z paměti USB nebo microSD.

- Zkontrolujte, zda paměť USB nebo karta microSD jsou správně připojeny/vloženy.
- Jestliže problém přetrvává, vypněte přehrávač a znovu jej zapněte.
- Jestliže se tím problém nevyřeší, kontaktujte nejbližší servisní středisko.

DÔLEŽITÉ BEZPEČNOSTNÉ POKYNY



POZOR
NEBEZPEČÍ ÚRAZU
ELEKTRICKÝM PROUDEM,
NEOTVÍRAŤ



Dôležité bezpečnostné pokyny

Upozornenie:

Kvôli riziku úrazu elektrickým prúdom nezasahujte do vnútorných častí prístroja a neodstraňujte jeho kryt. V prípade poruchy zverte servis produktu autorizovanému servisu.

Vysvetlenie grafických symbolov:



Symbol blesku v trojuholníku označuje neizolovaný materiál v jednotke, ktorý môže spôsobiť úraz elektrickým prúdom. Kvôli bezpečnosti všetkých v domácnosti, prosím neodstraňujte kryt výrobku.



Symbol výkričníku v trojuholníku upozorňuje na funkcie, o ktorých by ste si mali pozorne prečítať priložené informácie, aby ste zabránili problémom s prevádzkou a údržbou zariadenia.

K dosiahnutiu vašej najvyššej spokojnosti a radosti z používania nášho produktu, prečítajte si prosím najskôr **pozorne tento návod a zoznámte sa s jeho funkciami pred tým, ako ho začnete používať. To vám zaistí roky bezproblémového výkonu produktu a pôžitok z hudby.**

Dôležité upozornenia

- Tieto bezpečnostné a prevádzkové pokyny uschovajte pre budúce použitia.
- Prístroj nesmie byť vystavený vode a umiestnený vo vlhkom prostredí (napr. v kúpeľni) Výrobok by nemal byť umiestnený:
 - o na miestach vystavených priamemu slnečnému žiareniu alebo v blízkosti radiátoru.
 - o na iných stereofónnych zariadeniach, ktoré vyžarujú príliš tepla.
 - o na miestach, kde by mohlo byť zamedzené chladenie prístroja pomocou jeho ventilátoru alebo v prašnom prostredí
 - o na miestach, ktoré konštantne vibrujú.
 - o vo vlhkých a mokrých priestoroch.
 - o v blízkosti zapálených sviečok alebo iných zdrojov otvoreného ohňa.
- Výrobok používajte iba podľa pokynov v tejto príručke.
- Pred prvým zapnutím prístroja sa ubezpečte, že je napájací kábel správne pripojený.
- Čez USB prepojujte priamo, alebo použite USB - predlžovací kábel, ktorý nie je dlhší ako 25cm.

Z bezpečnostných dôvodov neodstraňujte žiadne kryty, ani sa nepokúšajte získať prístup k vnútru výrobku. Nepokúšajte sa odstrániť skrutky alebo otvárať kryt jednotky. Servis produktu a všetky opravy vždy zverte autorizovanému servisu a jeho kvalifikovanému personálu.

BEZPEČNOSTNÉ POKYNY

1. Prečítajte si pozorne – pred uvedením prístroja do prevádzky si prečítajte všetky bezpečnostné a prevádzkové pokyny a návod k použitiu.
2. Schovajte si návod k obsluhu - tento návod k obsluhu uschovajte pre budúce použitie.
3. Dbajte na varovania – všetky varovania na produkte a v návode k použitiu je treba dodržiavať
4. Postupujte podľa pokynov – pokyny pre prevádzku a bezpečnostné pokyny je treba dodržiavať.
5. Inštalácia – inštalujte výrobok v súlade s pokynmi výrobcu.
6. Napájacie zdroje – tento produkt napájajte iba zo zdroja zdroje, ktorý je uvedený na napájacom kábely. Ak si nie ste istí, aký typ napájania máte doma, obráťte sa na svojho predajcu výrobkov alebo na miestnu energetickú spoločnosť.
7. Uzemnenie a polarizácia – výrobok nemusí byť uzemnený. Uistite sa, že zástrčka napájacieho káblu je presne zasunutá do elektrickej zásuvky alebo do predlžovacieho káblu tak, aby bolo zamedzené vzniku prechodného odporu a tým pádom možného rizika vzniku požiaru. Ak používate predlžovací napájací kábel alebo neoriginálny napájací kábel od iného výrobcu, než ktorý je dodávaný ako súčasť balenia s výrobkom, musí byť tento neoriginálny kábel vybavený príslušnými kontaktmi pre prepojenie s výrobkom a musí mať bezpečnostné schválenie pre použitie v danej zemi.
8. Ochrana napájacieho káblu – napájacie káble by mali byť vedené tak, aby neboli pretrhnuté, otočené okolo predmetov okolo nich alebo proti nim, po napájacom kábli nie je doporučené chodiť. Pred týmito nežiaducimi vplyvmi chráňte hlavne konektory káblov k zapojeniu do zásuvky a pre napojenie s produktom.
9. Preťaženie – nepreťažujte elektrické zásuvky, predlžovacie káble či viacnásobné zásuvky, následkom takéhoto preťažovania je zvýšené riziko požiaru či úrazu elektrickým prúdom.
10. Vetranie – výrobok musí byť umiestnený na vetrané miesto. Nepokladajte výrobok na posteľ, pohovku alebo iný podobný povrch. Nezakrývajte výrobok vecami, ako obrusmi, novinami apod.
11. Teplota – tento produkt by nemal byť umiestnený v blízkosti zdrojov tepla, ako sú radiátory, regulátory tepla, pece, zosilňovače a iné zariadenia, ktoré produkujú teplo. Na prístroji nesmie byť umiestnený žiadny zdroj otvoreného ohňa, napr. zapálenej sviečky.
12. Voda a vlhkosť – pre zníženie rizika požiaru alebo úrazu elektrickým prúdom, nevystavujte výrobok kvapkajúcej, striekajúcej alebo tečúcej vode a nadmernej vlhkosti, napr. v saune či kúpeľni. Nepoužívajte tento výrobok v blízkosti vody napríklad pri vani, umývadle, dreze, vo vlhkej pivnici, v blízkosti bazénu apod.
13. **Vniknutie predmetov a tekutín** – nikdy nevkładajte akékoľvek cudzie predmety do otvorov výrobku, mohli by sa dotknúť miest pod vysokým napätím alebo by mohli spôsobiť skrat, čo môže viesť k požiaru alebo úrazu elektrickým prúdom. Nikdy nelejte akúkoľvek tekutinu akéhokoľvek druhu na výrobok alebo do výrobku. Neumiestňujte akýkoľvek predmet obsahujúci tekutinu na povrch výrobku (napr. váza, pohár s vodou apod.).
14. Čistenie – pred čistením odpojte výrobok z elektrickej zásuvky. Prach z prístroja odstraňujte suchou handričkou. Ak chcete používať aerosolové čistiace spreje, nestriekajte priamo na výrobok; naneste čistiaci prostriedok na handričku a následne aplikujte. Dávajte pozor, aby nedošlo k poškodeniu hracej jednotky.

15. Príslušenstvo – nepoužívajte neoriginálne príslušenstvo, ktoré nie je doporučené výrobcom produktu, neoriginálne príslušenstvo môže ohroziť bezpečné používanie a funkciu výrobku.
16. Umiestnenie – neumiestňujte výrobok na nestabilný vozík, stojan, trojnožku konzolu alebo stolič. Výrobok môže spadnúť s spôsobiť vážne zranenia deťom či dospelým a môže dojsť k vážnemu poškodeniu výrobku. Používajte iba so stabilným vozíkom, stojanom, trojnožkou, držiakom či na stole, alebo zariadením doporučeným výrobcom alebo predávaným spolu s výrobkom. Ak je nutná akákoľvek montáž výrobku, riadte sa pokynmi výrobcu a používajte iba montážne príslušenstvo doporučené výrobcom.
17. Manipulácia s výrobkom – pri premiestňovaní produktu na vozíku je nutné dodržiavať opatrnosť. Prudká zmena smeru, prudké zastavenie, vysoká rýchlosť alebo nerovný povrch **môžu spôsobiť prevrátanie vozíku a tým aj prípadné poškodenie produktu.**
18. Obdobné nepoužívanie – ak nie je zariadenie dlhší čas používané, musí byť napájací kábel prístroja odpojený z elektrickej zásuvky. Odpojte napájací kábel z elektrickej zásuvky počas búrky.
19. Servis – nepokúšajte sa o servis alebo opravu tohto prístroja svojvoľne, otvorenie alebo odstránenie krytov prístroja vás môže vystaviť nebezpečenstvu úrazu elektrickým prúdom alebo inému nebezpečenstvu. Všetky opravy prístroja zverte kvalifikovanému servisnému personálu autorizovaného servisu.
20. Prosím, ak nie je v prevádzke, odpojte napájací kábel z hlavného zdroja energie, alebo z elektrickej zásuvky. Vo chvíli, keď je napájací kábel zapojený do zdroja elektrickej energie, je systém v pohotovostnom režime, to znamená, že prístroj nie je úplne vypnutý a prúdi do neho elektrická energia.
21. Náhradné diely – ak sú potreba náhradné diely, uistite sa, že servisný technik použil náhradné diely, ktoré sú špecifikované výrobcom alebo majú rovnaké vlastnosti ako originálne diely. Neoprávnená výmena môže viesť k požiaru, úrazu elektrickým prúdom alebo spôsobiť iné nebezpečenstvo.
22. Sieťové poistky – pre trvalú ochranu proti požiaru, používajte iba správny typ poistiek. Správna špecifikácia poistiek je pre každý rozsah napätia označená na výrobku.
23. Nezvyšujte príliš hlasitosť pri počúvaní pasáží s veľmi nízkou úrovňou hlasitosti alebo pri náhlej úplnej absencii zvuku. Ak tak urobíte, môže vo chvíli opätovného zvýšenia úrovne hlasitosti prehrávanej pasáže dojsť k poškodeniu reproduktorov.
24. Ak chcete prístroj úplne odpojiť od napájania, musíte odpojiť napájací kábel od prístroja alebo z elektrickej zásuvky. Elektrická zásuvka alebo vstup napájací kábel k výrobku musia zostať voľne prístupné po celý čas používania prístroja v prevádzke.
25. Je vhodné umiestniť produkt do blízkosti elektrickej zásuvky alebo predlžovačky, ktoré by mali byť ľahko prístupné.
26. Najvyššia teplota prostredia vhodná pre tento výrobok je 35 °C.
27. ESD tip – Ak dôjde k vyresetovaniu prístroja alebo nie je obnovená jeho prevádzka z dôvodu elektrostatického výboja, je potreba výrobok vypnúť, odpojiť napájací kábel a potom ho znovu pripojiť, prípadne presunúť na iné miesto.
28. Batérie
 1. Batérie nesmú byť vystavené nadmernému teplu, ako napríklad pôsobeniu priameho slnečného svetla, ohňa a podobne.
 2. Používané batérie by mali byť vhodné pre ekologickú likvidáciu batérií.
 3. **UPOZORNENIE** pre používanie batérií – proti zamedzeniu úniku elektrolytu z batérie, ktorý môže spôsobiť poranenie, poškodenie majetku alebo prístroja:

- Všetky batérie nainštalujte správne, + a – ako je vyznačené na prístroji.
- Nekombinujte batérie (staré a nové alebo uhľikové a alkalické apod.)
- Pokiaľ nebudete prístroj dlhší čas používať, vytiahnite ich z prístroja.

ERP2 poznámka (Energy Related Products)

Tento produkt je v súlade s požiadavkami stupňa 2 nariadenia Komisie (ES) č. 1275/2008, ktorým sa riadi smernica 2009/125/ES, posudzujúca spotrebu elektrickej energie výrobku v pohotovostnom režime a vo vypnutom stave pre zariadenia určené pre domácnosti a kancelárie. Po 60 minútach bez akéhokoľvek audio vstupu, sa prístroj automaticky prepne do pohotovostného režimu. Riadte sa týmto návodom na používanie, kde sa dočítate akým spôsobom obnovíte prevádzku zariadenia.

Dôležitá poznámka:

Tento prístroj je vybavený režimom úspory energie: pokiaľ nie je daný signál behom 60 minút prístroj sa automaticky prepne do pohotovostného režimu, aby sa ušetrila energia (ERP 2 štandardná). Vezmite prosím na vedomie, že nízke nastavenia hlasitosti vo zvukovom zdroj je možné chápať ako „žiadny zvukový signál“ - to môže mať vplyv na schopnosť detekcie signálu zo zariadenia a spôsobiť automatický prechod do pohotovostného režimu. Ak sa tak stane aktivujte prosím prenos signálu alebo zvýšte nastavenie hlasitosti na zdrojovom audio prijímači (MP3 prehrávač atd.), aby bolo možné pokračovať v prehrávaní. Prosím, obráťte sa na miestne servisné stredisko, ak problém pretrváva.

VAROVANIE

Tento spotrebič nie je určený pre používanie osobami (vrátane detí) so zníženými fyzickými, zmyslovými alebo duševnými schopnosťami, alebo osobami bez patričných skúseností a vedomostí, pokiaľ im nebol poskytnutý dohľad alebo inštrukcie týkajúce sa použitia spotrebiča osobou zodpovednou za ich bezpečnosť. Deti by mali byť pod dozorom, aby bolo zaistené, že si so spotrebičom nebudú hrať.

1. Nikdy nenechávajte prístroj bez dozoru! Vypnite prístroj vždy, keď ho nepoužívate aj keď iba na krátku chvíľu.
2. Spotrebič nie je určený na prevádzku prostredníctvom externého časovača alebo samostatného diaľkového ovládania.
3. Ak je napájací kábel poškodený, musí byť nahradený výrobcom, jeho servisným zástupcom (autorizovaným servisom) alebo podobne kvalifikovanými pracovníkmi, aby sa predišlo nebezpečenstvu.
4. Pred použitím tohto systému skontrolujte napätie, aby ste sa uistili že je totožné s napätím vašej miestnej elektrickej siete.
5. Prístroj nesmie mať zakryté vetracie otvory predmetmi, ako sú noviny, obrusy, záclony atd. Uistite sa, že nad prístrojom je najmenej 20cm voľného priestoru a okolo neho z každej strany najmenej 5cm voľného priestoru.
6. Prístroj nesmie byť vystavený tečúcej, kvapkajúcej či striekajúcej vode. Predmety naplnené kvapalinou, ako sú napr. vázy, nesmú byť umiestnené na prístroji.
7. Aby nedošlo k požiaru alebo úrazu elektrickým prúdom, neumiestňujte toto zariadenie na horúcich miestach, nevystavujte ho dažďu, vlhkosti alebo prachu.
8. Neumiestňujte tento prístroj v blízkosti akýchkoľvek zdrojov vody, napr. kohútiky, vane, pračky alebo bazény. Uistite sa, že je prístroj umiestnený na suchom, stabilnom povrchu.
9. Neumiestňujte tento prístroj v blízkosti silného magnetického pola.
10. Nepokladajte prístroj na zosilňovače alebo prijímače.

11. Neumiestňujte tento prístroj do vlhkého prostredia, vlhkosť bude mať vplyv na životnosť elektrických komponentov.
12. Ak systém bezprostredne premiestnite z chladného do teplého prostredia, alebo ak je umiestnený vo veľmi vlhkom prostredí, môže dojsť ku kondenzácii vlhkosti vo vnútri prehrávača. Ak k tomu dôjde, systém môže byť poškodený a nebude fungovať správne. Prosím, nechajte systém zapnutý približne na hodinu, dokiaľ sa vlhkosť nevyparí.
13. Nečistite jednotku chemickými rozpúšťadlami, tie môžu poškodiť povrch zariadenia. Prístroj otrite čistou, suchou alebo mierne navlhčenou handričkou.
14. Ak je prístroj zapnutý v blízkosti vášho televízora, môže vplyvom pôsobenia elektromagnetických vln dojsť k ovplyvneniu funkčnosti oboch zariadení. Na televíznej obrazovke sa môžu objaviť čiary, rozpadat' sa obraz, môže byť ovplyvnený zvuk televízora aj prístroja, prípadne môže byť ak televízor, tak prístroj úplne nefunkčný. Tomu zamedzte umiestnením prístroja v dostatočnej vzdialenosti od televízora.
15. Sieťová zástrčka je používaná ako odpojovacie zariadenie, ktoré musí byť vždy pripravené k použitiu.
16. Ak chcete zabrániť možnému poškodeniu sluchu, nepočúvajte dlhší čas hudbu a rádio príliš nahlas.



Prehlásenie o zhode

Blaupunkt Competence Center 2N-Everpol Sp. z o.o. týmto prehlasuje, že je toto zariadenie v súlade so základnými požiadavkami a ďalšími príslušnými ustanoveniami smernice 2014/53 / EU. Prehlásenie o zhode je možné získať zo stránky produktu na www.blaupunkt.com.

Zodpovedná strana: 2N-Everpol Sp. z o.o, Puławska 403A, 02-801 Varšava, Poľsko,
Tel: +48 22 331 99 59, E-mail: info@everpol.pl



Naše produkty sú navrhnuté a vyrobené z vysoko kvalitných materiálov a komponentov, ktoré sú recyklovateľné a opäť použiteľné.



Ak je tento symbol preškrtnutého kontajneru uvedený na výrobku, znamená to, že výrobok podlieha smernici EU 2002/96/ES. Informujte sa prosím na miestny systém zberu triedeného odpadu pre elektrické a elektronické výrobky. Prosím riadte sa miestnymi pravidlami a nelikvidujte staré produkty spolu s bežným komunálnym odpadom. Správnou likvidáciou starého výrobku pomôžete predísť možným negatívnym dopadom na životné prostredie a ľudské zdravie.



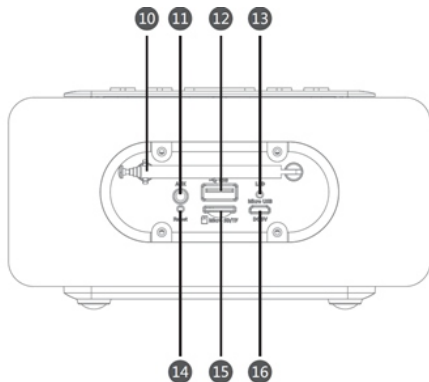
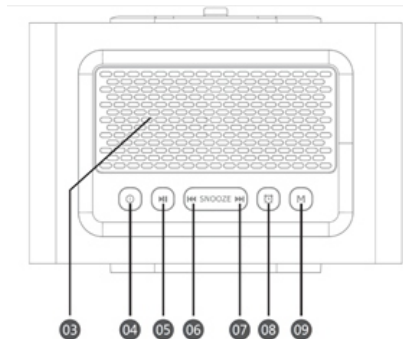
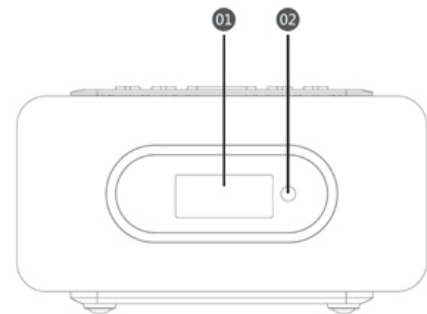
Výrobok obsahuje batérie podliehajúce smernici EU 2006/66/EC, ktoré nie je možné vyhazovať do bežného domáceho odpadu. Informujte sa prosím o miestnych pravidlách zberu batérií, pretože správnu likvidáciou pomôžete predchádzať negatívnym dôsledkom pre životné prostredie a ľudské zdravie.

Informácie týkajúce sa životného prostredia

Výrobok je zabalený len v nutnom obale pre jeho ochranu. Snahou našej firmy je, aby bol obalový materiál jednoducho rozdeliteľný na tri materiály: lepenku (škatuľa), polystyrén (ochranné balenie) a polyetylen (sáčky, ochranné fólie z odľahčeného plastu). Výrobok sa skladá z materiálov, ktoré je možné recyklovať a znovu použiť v prípade demontáže odbornou firmou. Dodržujte prosím miestne predpisy týkajúce sa likvidácie obalových materiálov, vybitých batérií a starého zariadenia.

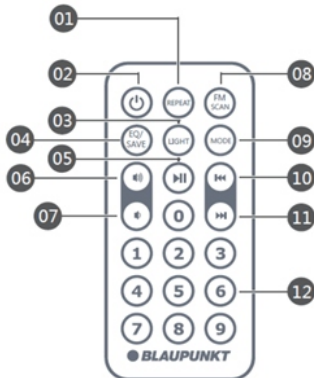
Na nahrávanie a prehrávanie materiálov môže byť vyžadovaný súhlas. Viz Zákon o Copyright Act 1956 a Zákon na ochranu umelcov Sk 1958-1972

Umiestnenie ovládacích prvkov



- | | |
|--|---|
| 01 - Displej. | 02 - Snímač diaľkového ovládania. |
| 03 - Reproduktor. | 04 - Tlačidlo napájania. |
| 05 - Tlačidlo Play/Pause (prehrávanie/pauza), ktorým sa spúšťa/zastavuje prehrávanie a aktivuje stíšenie (mute). | 06 - Tlačidlo „predchádzajúce“/hlasnosť – predchádzajúci súbor / tichšie. |
| 07 - Tlačidlo „nasledujúce“/hlasnosť + nasledujúci súbor / hlasnejšie. | 08 - Tlačidlo hodín. |
| 09 - Tlačidlo režimu prehrávania USB / microSD / FM / AUX IN. | 10 - FM anténa. |
| 11 - Zdierka AUX IN. | 12 - USB port. |
| 13 - LED kontrolka napájania. | 14 - Reštart systému. |
| 15 - Port microSD kariet. | 16 - Zásuvka napájania DC 5 V. |

Dialkový ovládač



- 01— Opakovanie (opakovať všetko, náhodne a opakovať iba jednu).
 02— Zapínanie a vypínanie napájania.
 03— LIGHT – nastavenie jasú (intenzity) podsvietenia.
 04— EQ/SAVE výber nastavenia ekvalizéra (funguje iba v režime prehrávania z USB kľúča/microSD karty).
 05— Prehrávanie/pauza.
 06— Zvýšenie hlasitosti.
 07— Zníženie hlasitosti.
 08— Vyhľadávanie FM staníc.
 09— Výber zdroja signálu/režimu práce.
 10— Predchádzajúce.
 11— Nasledujúce.
 12— Číslkové tlačidlá (0–9).

Pozor!

- Predtým, než začnete používať diaľkový ovládač, skontrolujte, či sú v ňom vložené batérie typu Cr2025, a či sú vložené správne.
- Pred začatím používania ovládača odstráňte izolačnú fóliu.
- Opotrebované batérie vyhodte v súlade s miestnymi predpismi do nádob na to určených. Informácie o spôsobe recyklácie batérií vám poskytne miesta samospráva.
- Pracovný dosah diaľkového ovládača je 5 metrov (bez prekážok medzi zariadeniami). Diaľkový ovládač nasmerujte na snímač, ktorý sa nachádza na prednom paneli.

Konfigurácia a zapínanie/vypínanie zariadenia

Napájanie DC: Dodaný USB kábel zasuňte do sieťového adaptéra, a druhý koniec USB kábla do napájacieho microUSB portu na zadnej strane zariadenia. Následne sieťový adaptér pripojte k el. napätiu. Keď zariadenie správne pripojíte k el. napätiu, zasvieti červená LED kontrolka.

Nabíjanie akumulátora: zariadenie sa začne nabíjať po pripojení zdroja jednosmerného prúdu. Keď sa akumulátor úplne nabije, LED kontrolka na zadnej strane panela sa zasvieti nazeleno. Úroveň nabitia batérie zobrazuje ikona batérie v pravom hornom rohu displeja. V prípade, ak sa batéria úplne vybije, zariadenie sa automaticky vypne. V takom prípade zariadenie opätovne nabite.

Zapínanie a vypínanie zariadenia: Keď chcete zariadenie zapnúť/vypnúť, stlačte a na 2 sekundy podržte tlačidlo napájania na hornom paneli. Krátkym stlačením tlačidla napájania na hornom paneli alebo na diaľkovom ovládači môžete zapnúť/vypnúť pohotovostný režim (zobrazovanie hodín, bez zvukov). Keď zariadenie pripojíte k el. napätiu, podsvieti sa displej, a následne môžete vykonávať iné činnosti.

Poznámky:

a. Dodaný USB kábel má dve koncovky – USB (univerzálne) a microUSB. USB koncovka sa pripája k sieťovému adaptéru, a microUSB koncovka sa pripája k zásuvke zariadenia, ako zdroj jednosmerného napájacieho prúdu.

b. Na napájanie zariadenia sa môže používať iba dodaný sieťový adaptér, alebo adaptér s takými istými menovitými parametrami.

c. Keď zariadenie vypnete tlačidlom napájania na hornom paneli zariadenia, zariadenie sa nedá zapnúť diaľkovým ovládačom, pretože je úplne vypnuté napájanie. Keď chcete zariadenie zapnúť, opätovne stlačte tlačidlo napájania na hornom paneli.

d. Zariadenie môže prehrávať zvuk aj počas nabíjania. Ak chcete vykonať jednorazový úplný cyklus nabíjania, odporúčame, aby ste zariadenie úplne vypli.

Nastavenie intenzity podsvietenia displeja

Keď chcete nastaviť intenzitu podsvietenia displeja (vysoká/stredná/nízka úroveň), stlačte tlačidlo „LIGHT“ na diaľkovom ovládači.

Nastavovanie hlasitosti:

Stlačením a podržaním tlačidla „predchádzajúce“ alebo „nasledujúce“ na hornom paneli zvýšite alebo znížite hlasitosť s veľkou presnosťou; krátkym stlačením tlačidla „predchádzajúce“ alebo „nasledujúce“ hneď po nastavovaní hlasitosti s veľkou presnosťou, môžete hlasitosť nastavovať postupne; keď tlačidlo „predchádzajúce“ alebo „nasledujúce“ nestlačíte 3 sekundy obnoví sa ich štandardná funkcia, tzn. prechod na predchádzajúcu alebo nasledujúcu skladbu.

Nastavenie času

Hodiny: Keď chcete prejsť na režim nastavenia hodín, najprv zariadenie zapnite, a následne krátko stlačte tlačidlo napájania. Keď trikrát krátko stlačíte tlačidlo „MODE“, aktivuje sa režim nastavovania hodín a číslo hodín zobrazené na displeji začne blikať; stlačením tlačidla „predchádzajúce“ / „nasledujúce“ nastavte hodinu; stlačením tlačidla hodín prejdete na nastavovanie minút, alebo keď je to potrebné, opäť stlačte tlačidlo hodín, vrátite sa späť na nastavovanie hodín; stlačením tlačidla „predchádzajúce“ / „nasledujúce“ nastavte minúty, a následne ukončíte nastavovanie hodín krátkym stlačením tlačidla napájania.

Budík: Zapnite zariadenie, nastavenia budíka otvoríte krátkym stlačením tlačidla napájania. Krátkym stlačením tlačidla „MODE“ začnete nastavovať 1. budík, zobrazí sa ikona 1. budíku (zvonček s číslom 1); stlačením tlačidla „predchádzajúce“ / „nasledujúce“ nastavte hodinu; stlačením tlačidla hodín prejdete na nastavovanie minút, alebo keď je to potrebné, opäť stlačte tlačidlo hodín, vrátite sa späť na nastavovanie hodín; stlačením tlačidla „predchádzajúce“ / „nasledujúce“ nastavte minúty; stlačením tlačidla hodín otvoríte nastavenia zdroja budíka, stlačením tlačidla „predchádzajúce“ / „nasledujúce“ nastavte požadovaný zdroj budíka: bzučiak / USB / microSD / rádio, ; krátko stlačte tlačidlo prehrávania/pauzy a tlačidlo napájania, čím potvrdíte nastavenie a ukončíte nastavovanie budíka.

Keď chcete nastaviť 2. budík, dvakrát stlačte tlačidlo „MODE“, otvoria sa nastavenia 2. budíka. Ďalší postup je taký istý ako v prípade nastavovania 1. budíka, tak ako je to opísané vyššie.

Tipy:

- a. Hodiny aj budík fungujú tak pri napájaní z akumulátora, ako aj pri napájaní z el. siete. Ak zariadenie používate dlhodobo, odporúčame pripájať ho k el. sieti.
- b. Keď sa zapne budík, vypnete ho stlačením ľubovoľného tlačidla, okrem tlačidla „nasledujúce“/„predchádzajúce. Budík sa spustí opäť nasledujúci deň v nastavenom čase.
- c. Keď sa zapne budík, krátkym stlačením tlačidla zdriemnutia môžete aktivovať zdriemnutie. Budík sa opäť zapne po 5 minútach. Zdriemnutie vypnete stlačením ľubovoľného iného tlačidla..
- d. Krátkym, jedným stlačením tlačidla hodín na hornom paneli môžete zapnúť alebo vypnúť 1. budík; dvoma krátkymi stlačeniami tlačidla hodín môžete zapnúť alebo vypnúť 2. budík; dlhým stlačením tlačidla hodín môžete súčasne vypnúť alebo zapnúť oba budíky (1. a 2.).
- e. Keď je ako zdroj budíka nastavené USB/microSD/rádio, krátkym stlačením tlačidla prehrávania/pauzy zobrazíte skladbu alebo rozhlasovú stanicu, ktorá sa aktivuje ako budík, krátkym stlačením tlačidla „predchádzajúce“/„nasledujúce“ , následne stlačením tlačidla prehrávania/pauzy sa vrátite späť na nastavenia budíka.
- f. Keď ako zdroj budíka vyberiete prehrávanie, znamená to, že budík v zadanom čase automaticky spustí rádio alebo prehrávanie z USB/microSD. Krátkym stlačením tlačidla prehrávania/pauzy môžete nastaviť zdroj budíka: rádio/USB/microSD. Zariadenie sa spustí maximálne na 120 minút, ak ho nikto skôr nevypne, vypne sa automaticky po tomto čase.
- g. Keď ako zdroj budíka vyberiete USB/microSD, uistite sa, či je USB kľúč/microSD karta s požadovanými súbormi správne vložená do zariadenia.
- h. Budík funguje aj vtedy, keď je zariadenie vypnuté (keď je vypnutý displej).

Funkcia zaspávania Sleep: Sleep: Keď je zariadenie uspané (na displeji je zobrazený čas), krátkym stlačením tlačidla prehrávania/pauzy aktivujete nastavenia režimu uspania; krátkym stlačením tlačidla „predchádzajúce“/„nasledujúce“ nastavíte čas, po ktorom sa má zariadenie uspať, 15/30/45/60/75/90/120 minút, alebo vypnete túto funkciu, následne potvrdíte nastavenie krátkym stlačením tlačidla prehrávania/pauzy. V režime prehrávania (rádio / USB / microSD / Bluetooth / AUX), sa zvuky automaticky vypnú po uplynutí zadaného času. V režime uspania, krátkym stlačením tlačidla prehrávania/pauzy môžete skontrolovať zostávajúci čas funkcie zaspávania.

Používanie FM rádia

Zariadenie má teleskopickú anténu určenú na prijímanie signálu FM. Predtým, než začnete počúvať FM rádio, úplne vysuňte celú anténu a zariadenie umiestnite v blízkosti okna, tzn. na miesto s lepším (silnejším) rádiovým signálom.

Zapnite zariadenie a stlačte tlačidlo „mode“ na hornom paneli, alebo tlačidlo „mode“ na diaľkovom ovládači, až kým sa nezobrazí ikona rádia.

1. Automatické vyhľadávanie a ukladanie rozhlasových staníc: krátko stlačte tlačidlo FM SCAN alebo stlačte a na 3 sekundy podržte tlačidlo prehrávania/pauzy na diaľkovom ovládači alebo na hornom paneli, spustí sa automatické vyhľadávanie a ukladanie rozhlasových FM staníc. Zariadenie umožňuje uložiť maximálne 60 staníc.

2. Automatické vyhľadávanie: stlačte a podržte tlačidlo „predchádzajúce“ alebo „nasledujúce“ na diaľkovom ovládači, spustí sa automatické vyhľadávanie dostupných rozhlasových staníc, smerom dole alebo hore.

Vyhľadávanie sa automaticky zastaví na najbližšej nájdenej rozhlasovej stanici, ktorá sa následne spustí. Stlačením tlačidla „SAVE“ na diaľkovom ovládači uložíte aktuálnu rozhlasovú stanicu.

3. Ručné nastavovanie rozhlasových staníc: Pomocou automatického vyhľadávania vyberte obľúbenú rozhlasovú stanicu a následne stlačte na diaľkovom ovládači tlačidlo „SAVE“, daná frekvencia sa uloží do pamäte. Krátkym stlačením tlačidla „REPEAT“ na diaľkovom ovládači, a následne stlačením tlačidla hlasitosti + alebo - na diaľkovom ovládači zmeníte frekvenciu v krokoch 0,1 MHz, následne stlačením tlačidla „SAVE“, ručne uložíte nastavenú rozhlasovú stanicu; po 10 sekundách bez obsluhy sa obnoví štandardná funkcia tlačidiel hlasitosti +/-, tzn. nastavovanie hlasitosti.

4. Odstraňovanie automaticky naprogramovaných staníc so slabým signálom: keď zariadenie počas automatického vyhľadávania a ukladania rozhlasových staníc uloží rádia so slabým signálom, môžete ich odstrániť. Počas prehrávania takej stanice (so slabým signálom), na diaľkovom ovládači stlačte a podržte tlačidlo „0“. Rozhlasová stanica sa odstráni a na jej miesto sa presunie ďalšia uložená stanica.

5. Nastavenie danej rozhlasovej stanice: keď chcete spustiť rozhlasovú stanicu s danou frekvenciou, môžete to urobiť stlačením

číselných tlačidiel na diaľkovom ovládači. Keď chcete nastaviť rozhlas s frekvenciou 104,3 MHz, stlačte zaradom tlačidlá 1-0-4-3 na diaľkovom ovládači. Zariadenie nastaví danú frekvenciu a spustí sa rozhlasová stanica.

6. Vyberanie uloženej stanice: krátkym stlačením tlačidla „predchádzajúce“ alebo „nasledujúce“ na prednom paneli alebo na diaľkovom ovládači, môžete vybrať uloženú rozhlasovú stanicu; môžete tiež vybrať stanicu, stlačením číselných tlačidiel na diaľkovom ovládači. Keď chcete spustiť rádio č. 12, stlačte zaradom číselné tlačidlá 1-2 na diaľkovom ovládači; nastaví sa daná frekvencia a spustí sa daný rozhlas.

Používanie prehrávania z USB kľúča/microSD karty

Predtým, než začnete prehrávať MP3 súbory, skontroluje, či je správne pripojený USB kľúč alebo microSD karta do príslušného portu na zadnej strane zariadenia. Na pamäťovom nosiči musia byť uložené súbory vo formáte MP3. Toto zariadenie podporuje pamäťové nosiče s maximálnou kapacitou 32 GB.

1. Keď chcete zapnúť režim prehrávania z USB kľúča alebo z microSD karty, stlačte tlačidlo „MODE“ alebo „M“. Zariadenie automaticky vyhľadá hudobné súbory a po zobrazení sumárneho počtu súborov spustí ich prehrávanie.
2. Predchádzajúci alebo nasledujúci súbor (skladbu) zvolíte krátkym stlačením tlačidla „predchádzajúce“ alebo „nasledujúce“; súbor (skladbu) rýchlo presuniete dopredu alebo dozadu stlačením a podržaním tlačidla „predchádzajúce“ alebo „nasledujúce“ na diaľkovom ovládači;.
3. Stlačením číselných tlačidiel na diaľkovom ovládači rýchlo vyberiete skladu s daným číslom a spustíte jej prehrávanie.
4. Keď chcete aktivovať režim opakovania: jednej skladby, všetkých skladieb alebo náhodné prehrávanie, krátko stlačte tlačidlo REPEAT na diaľkovom ovládači. Stlačte a na 3 sekundy podržte tlačidlo prehrávania/pauzy na prednom paneli, až kým neaktivuje požadovanú operáciu.
5. Keď chcete zopakovať prehrávanie istého fragmentu skladby, stlačte a na 3 sekundy podržte tlačidlo REPEAT, až kým sa na displeji nezobrazí symbol P-A, vyberiete začiatok požadovaného fragmentu; následne stlačte a na 3 sekundy podržte tlačidlo REPEAT, až kým sa nezobrazí symbol P-B, vyberiete koniec fragmentu.
Zariadenie bude opakovať iba vybraný fragment. Funkciu opakovania zrušíte stlačením a podržaním tlačidla REPEAT, až kým sa na displeji nezobrazí symbol P-E.
6. Keď chcete nastaviť ekvalizér, počas prehrávania MP3 súborov krátko stlačte tlačidlo EQ. Dostupné sú módy: NORMAL/ROCK/POP/CLASS/JAZZ/BASS.

Poznámky:

- a. Neodporúčame používať USB predlžovací kábel, pretože negatívne ovplyvňuje kvalitu audio signálu a vznikajú rušenia (šum).
- b. Zariadenie po vložení USB kľúča alebo microSD karty automaticky načítava uložené súbory.

Používanie zdieľky AUX IN (pripojenie MP3)

Jednu koncovku dodaného 3,5 mm stereo kábla zastrčte do zdieľky AUX IN, ktorá je na zadnom paneli zariadenia, a druhú koncovku do externého prehrávača (napr. do chytrého zariadenia). Režim reproduktora sa automaticky zmení na AUX IN. V externom prehrávači vyberte a spustíte prehrávanie. Zvuk bude prehrávaný na reproduktore.

Prehrávač pripojený cez AUX IN sa obsluhuje svojimi tlačidlami. V režime AUX IN môžete používať ovládacie koliesko hlasitosti a tlačidlo prehrávania/pauzy.

Špecifikácia:

Zdroj el. napätia: DC IN 5 V / 600 mA

3,7 V / 1800 mA (kapacita batérie)

RMS Výstupný výkon: 2 x 2,5 W RMS.

Frekvencia FM: 87,5 ~ 108,0 MHz.

Nominálne parametre USB: 150 mA.

Príkon: 9,5 W

Odber prúdu v pohotovostnom režime: <0,5 W

Továrenské nastavenia:

Systémový čas: 0:00

Formát času: 24 hodín.

Čas uspania: vypnuté

Trvanie budíka: 5 minút

Hlasitosť: 15

Riešenie problémov

1. Displej sa nezapína.

- a. Skontrolujte, či je zdroj jednosmerného prúdu pripojený správne.
- b. Zariadenie zapnete stlačením a podržaním na 3 sekundy tlačidla napájania.
- c. Ak sa problém nevyrieši, kontaktujte autorizovaný servis.

2. Nedostatočná kvalita zvuku rozhlasovej stanice.

- a. Zariadenie premiestnite bližšie k oknu, tzn. na miesto so silnejším rádiovým signálom.
- b. Nalaďte inú rozhlasovú stanicu.
- c. Ak sa problém nevyrieši, kontaktujte autorizovaný servis.

3. Nedostatočná kvalita zvuku pri prehrávaní z USB alebo microSD.

- a. Skontrolujte, či je USB kľúč alebo microSD karta správne zasunutá.
- b. Ak sa problém nevyrieši, vypnite a opätovne zapnite napájanie reproduktora.
- c. Ak sa problém nevyrieši, kontaktujte autorizovaný servis.

FONTOS BIZTONSÁGI UTASÍTÁSOK



Vigyázat:

Az áramütés kockázatának csökkentése érdekében ne szerelje szét a terméket, és ne tegye ki a készüléket esőnek vagy nedvességnek. A termék nem tartalmaz szervizelhető alkatrészeket. A szervizelést csak szakképzett szerelő végezze.

A grafikus szimbólumok magyarázata:



Az egyenlő szárú háromszögben lévő villám szimbólum a termék belsejében lévő, olyan nem szigetelt, veszélyes feszültségre hívja fel a figyelmet, amely elég nagy ahhoz, hogy áramütést okozzon egy személynek vagy személyeknek.



Az egyenlő szárú háromszögben lévő felkiáltójel a termékhez mellékelt irodalomban található fontos kezelési és karbantartási (szervizelési) utasításokra hívja fel a figyelmet.

A legjobb élmény és teljesítmény eléréséhez, valamint a termék funkcióinak megismeréséhez figyelmesen olvassa el a jelen kézikönyvet a termék üzembe helyezése előtt. Így készüléke éveket a legjobb teljesítményt és zenei élményt nyújtja.

Fontos megjegyzések

- Őrizze meg a jelen biztonsági és használati utasításokat későbbi felhasználás céljából.
- Ne tegye ki a készüléket párának vagy fröccsenésnek és nedves környezetnek (pl. fürdőszoba).
- o Ne helyezze a készüléket a következő helyekre:
 - o Közvetlen napfénynek kitétt vagy fűtőtestekhez közeli helyek.
 - o Túl sok hőt sugárzó sztereóberendezések teteje.
 - o Szellőzést akadályozó hely vagy poros terület.
 - o Folyamatosan rezgő helyek.
 - o Magas páratartalmú vagy nedves helyek.
- Ne helyezze gyertyákhoz vagy más nyílt lánghoz közel.
- Csak a használati útmutató szerint üzemeltesse a készüléket.
- A készülék első bekapcsolása előtt győződjön meg arról, hogy megfelelően csatlakoztatta a tápaptert.

Biztonsági okokból ne távolítsa el a burkolatot, és ne kíséreljen meg hozzáférni a készülék belsejéhez. A szervizelést bízza szakképzett szerelőre.

Ne próbálja meg eltávolítani a csavarokat vagy kinyitni a készülék házát; nem találhatóak benne szervizelhető alkatrészek. Az összes szervizelést bízza szakképzett szerelőre.

BIZTONSÁGI UTASÍTÁSOK

- 1. Olvassa el az utasításokat** – A készülék üzembe helyezése előtt olvassa el az összes biztonsági és használati utasítást.
- 2. Órizzze meg az utasításokat** – A biztonsági és használati utasításokat tartsa a készülékkel együtt későbbi felhasználás céljából.
- 3. Figyelmeztetések** – A készüléken, valamint a használati utasításokban lévő összes figyelmeztetést be kell tartani.
- 4. Tartsa be az utasításokat** – Tartsa be az összes használati utasítást.
- 5. Üzembe helyezés** – A gyártó utasításai szerint helyezze üzembe a készüléket.
- 6. Áramforrások** – A terméket csak olyan típusú áramforrásról szabad üzemeltetni, amely fel van tüntetve a tápkábel bemeneténél. Ha háztartásában nem található ilyen típusú áramforrás, forduljon a termékkereskedőhöz vagy a helyi energiaszolgáltatóhoz.
- 7. Földelés és polarizáció** – A terméket nem szükséges földelni. A csatlakozó teljesen bele legyen dugva a hosszabbító kábel aljzatába, hogy a dugasz érintkezői ne látszódnak ki. A termék egyes változatai polarizált, váltakozó vezetékcsatlakozójú tápkábelrel szerelték (olyan csatlakozó, amelynek egyik pengéje szélesebb, mint a másik). Az ilyen típusú csatlakozók csak egyféleképpen illeszthetők az aljzatba. Ez egy biztonsági funkció. Ha nem tudja teljesen beilleszteni a csatlakozót az aljzatba, próbálja meg megfordítani csatlakozót. Ha a csatlakozót így sem sikerül beilleszteni, forduljon villanyszerelőhöz az elavult aljzat cseréjéért illetően. Ne iktassa ki a polarizált csatlakozó biztonsági funkcióját. Ha tápkábel-hosszabbítót vagy egy nem a készülékhez mellékelt tápkábelt használ, ügyeljen arra, hogy a kábel megfelelő formájú csatlakozóval legyen felszerelve, és megfeleljen az adott országnak biztonsági előírásainak.
- 8. Tápkábel-védelem** – A tápkábeleket úgy kell elvezetni, hogy azokra ne lépjenek rá, ne hurkolódjanak, ne csipjék be őket a rájuk helyezett tárgyak, illetve ne feszüljenek nekik. Fordítson különös figyelmet a kábelvégekre, dugaljakra és a termék csatlakozási pontjaira.
- 9. Túlterhelés** – Ne terhelje túl a fali aljzatokat, a hosszabbító kábeleket és az elosztókat, mivel ezek tüzet vagy áramütést okozhatnak.
- 10. Szellőzés** – A termék szellőzése legyen megfelelő. Ne helyezze a terméket ágyra, kanapéra vagy hasonló felületre. Ne takarja le a terméket olyan tárgyakkal, mint asztalterítő, újságpapír stb.
- 11. Hő** – Ne helyezze a terméket hőforrások (pl. radiátorok, konvektorok, kályhák vagy egyéb berendezések, többek között erősítők) mellé. Ne helyezzen nyílt lángot (pl. meggyújtott gyertya) a készülékre.
- 12. Víz és nedvesség** – A tűzveszély és az áramütés elkerülése érdekében ne tegye ki a készüléket esőnek, fröccsenésnek vagy túlzott nedvességnek (pl. szauna vagy fürdőszoba). Ne használja a készüléket víz közelében, mint például fürdőkád, mosdókagyló, mosogató, mosókonyha, úszómedence közelében és nyirkos pincében.
- 13. Tárgyak és folyadékok** – Ne nyomjon be tárgyakat a készülék nyílásaiba, mivel azok hozzáérhetnek veszélyes feszültségpontokhoz vagy rövidzárlatot okozhatnak, és ez tűzhöz vagy áramütéshez vezethet. Ne öntsön semmiféle folyadékot a készülékre. Ne helyezze olyan tárgy tetejére, amely folyadékot tartalmaz.
- 14. Tisztítás** – Tisztítás előtt húzza ki a készüléket a fali aljzattól. A mélyhangesugárzóban lévő port száraz ruhával törölje ki. Ha aeroszolos tisztítóspray-t használ, ne permetezzen közvetlenül a bútorra, hanem a ruhára permetezzen. Ügyeljen arra, hogy ne sértse meg a meghajtóegységeket.
- 15. Tartozékok** – Ne használjon olyan tartozékokat, amelyeket a gyártó nem javasol, mivel ezek veszélyt okozhatnak.

16. **Kiegészítők** – Ne helyezze a terméket instabil kocsira, állványra, háromlábú állványra, tartóra vagy asztalra, mivel a termék leeshet, és ez személyi (gyermek vagy felnőtt) sérülést vagy a termék súlyos károsodását okozhatja. Csak a gyártó által javasolt vagy a termékhez mellékelte kocsit, állványt, háromlábú állványt, tartót vagy asztalt használja. Csak a gyártó utasításai szerint szerelje fel a terméket, és csak a gyártó által javasolt konzolt használja.
17. **A termék mozgatása** – A kocsira állított termék mozgatásakor nagyon óvatosan járjon el. A gyors megállás, túlzott erőfelfejtés vagy egyenetlen felület a kocsira állított termék felborulásához vezethet.
18. **Használaton kívüli időszakok** – Húzza ki a készülék tápkábelét viharos időben, illetve ha a készüléket hosszabb ideig nem használja.
19. **Szervizelés** – Ne próbálja meg szervizelni a készüléket, mivel a burkolatok kinyitása és eltávolítása során veszélyes feszültségnek vagy más veszélynek lehet kitéve. Az összes szervizelést bízza szakképzett szerelőre.
20. Ha nem használja a készüléket, húzza ki a tápcsatlakozót a fő áramforrásból vagy fali áramforrásból. A készülék akkor is áram alatt van, ha a készülék áramforráshoz csatlakozik, és a rendszer készenléti üzemmódban van.
21. **Cserealkatrészek** – Ha cserealkatrészekre van szükség, a szerelőnek a gyártó által előírt cserealkatrészeket vagy az eredeti alkatrészsel azonos műszaki tulajdonságokkal rendelkező cserealkatrészeket kell használnia.11. A nem engedélyezett cserealkatrészek tüzet, áramütést vagy más veszélyt okozhatnak.
22. **Hálózati biztosítékok** – A tűzveszély folyamatos védelme érdekében csak a megfelelő típusú és teljesítményű biztosítékokat használja. Az egyes feszültségtartományoknak megfelelő biztosítékjellemzők fel vannak tüntetve a terméken.
23. Ne növelje a hangerőt, ha nagyon alacsony szintű a bemeneti jel, vagy egyáltalán nincs audiojel. Ellenkező esetben a hangszóró károsodhat, ha hirtelen nagy hangerővel szólal meg a lejátszás.
24. A termék tápellátása csak úgy szüntethető meg teljesen, ha kihúzza a tápkábelt a fali aljzathoz vagy a termékből. A termék használata közben mindig legyen könnyen hozzáférhető a fali aljzat vagy a termék tápkábele.
25. Próbálja a terméket a fali aljzathoz vagy a hosszabbító kábelhez közel, egy könnyen hozzáférhető helyen elhelyezni.
26. A készülék legfeljebb 35 °C környezeti hőmérséklet esetén üzemeltethető.
27. **Az ESD-vel (elektrosztatikus kisülés) kapcsolatos tippek** – A termék normális működését megzavarhatja az erős elektromágneses interferencia. Ha ilyen történik, a használati útmutató utasításait követve állítsa alaphelyzetbe a terméket a normális működés folytatásához. Abban az esetben, ha a termék továbbra sem működik, helyezze át a terméket egy másik helyre.
28. **Akkumulátor**
 - 1) Ne tegye ki az akkumulátorokat túlzott hőnek, mint például napsütés, tűz vagy hasonló.
 - 2) Az akkumulátorokat az akkumulátorok ártalmatlanítására vonatkozó környezetvédelmi előírások figyelembe vételével kell ártalmatlanítani.
 - 3) Akkumulátorhasználattal kapcsolatos FIGYELMEZTETÉS – a testi sérülést, anyagi kárt vagy a készülék károsodását okozó akkumulátorszivárgás megakadályozásához:
 - A készüléken lévő + és - jelöléseknek megfelelően, helyesen tegye be az összes akkumulátort.
 - Ne használjon egyszerre különböző elemeket (régie és új, illetve karbon és alkáli stb.).

- Vegye ki az akkumulátorokat, ha a készüléket hosszabb ideig nem használja.

ERP2-re (energiával kapcsolatos termékek) vonatkozó megjegyzés

A termék megfelel a 2009/125/EK irányelv végrehajtásáról szóló 1275/2008 számú bizottsági rendelet 2. szakaszában található, az elektromos és elektronikus háztartási és irodai berendezések készenléti és kikapcsolt üzemmódban fellépő elektromosáram-fogyasztására vonatkozó környezetbarát tervezési követelményeknek. Ha 60 percig nem észlel bemenő audiojelet, a készülék automatikusan készenléti üzemmódba kapcsol. A használat folytatásához olvassa el a kezelői kézikönyvet.

Fontos megjegyzések:

A készülék energiatakarékos üzemmódban működik: ha 60 percig nem kap jelet, a készülék automatikusan készenléti üzemmódba vált, hogy energiát takarítson meg (ERP 2 szabvány). Előfordulhat, hogy a rendszer az alacsonyhangerejű audioforrást nem érzékeli audiojelként: ez hatással van a jelérzékelési képességére, és a készülék automatikusan készenléti üzemmódba válthat. Ebben az esetben a lejátszás folytatásához aktiválja újra az audiojel-átvitelt vagy növelje az audioforrás (MP3-lejátszó stb.) hangerő-beállítását. Ha a probléma továbbra is fennáll, forduljon a helyi szervizközpontoz.

Figyelmeztetés

A berendezést a csökkenő fizikai vagy mentális képességekkel rendelkező személyek (beleértve a gyerekeket is), vagy az olyan személyek, akik nem ismerik a berendezést, csak felügyelet mellett vagy a biztonságukért felelő személy által előírt utasítások szerint használhatják. Gyermek csak felügyelet mellett használhatják a készüléket. A készülék nem játékszer.

1. A halláskárosodás elkerülése érdekében ne hallgassa a készüléket magas hangerővel huzamosabb ideig, illetve ne növelje hirtelen a hangerőt.
2. Soha ne használja a készüléket felügyelet nélkül. Mindig kapcsolja ki a készüléket, ha nem használja, még akkor is, ha ez csak egy rövidebb időtartam.
3. A készülék nem működtethető külső időzítőről vagy külön távvezérlő-rendszerrel.
4. Ha a tápkábel sérült, a veszély elkerülése érdekében cseréltesse ki a gyártóval, a szervizszolgálattal vagy hasonló szakképzett személlyel.
5. A készülék üzembe helyezése előtt ellenőrizze, hogy a rendszer feszültsége megegyezik-e a helyi hálózati áram feszültségével.
6. A terméket ne takarja le (pl. újságpapírral, asztalterítővel, függönnyel stb.) úgy, hogy blokkolja a szellőzőnyílásait. Győződjön meg arról, hogy a készülék felett legalább 20 cm, a készülék oldalánál pedig legalább 5 cm szabad hely van.
7. Ne tegye ki a készüléket párának vagy fröccsenésnek, és ne helyezze olyan tárgyakra, amelyek folyadékkal vannak töltve (pl. váza).
8. A tűz vagy áramütés megakadályozása érdekében ne tegye a készüléket forró helyre, és ne érje eső, nedvesség vagy por.
9. Ne tegye a készüléket vízforrás közelébe (pl. csapok, fürdőkádak, mosógépek vagy úszómedencék). A készülék száraz, stabil felületen legyen.
10. Ne tegye a készüléket erős mágneses mező közelébe.
11. Ne tegye a készüléket erősítőre vagy vevőkészülékre.
12. Ne tegye a készüléket nyirkos helyre, mivel a nedvesség kedvezőtlen hatással van az elektromos alkatrészek élettartamára.
13. Ha a készüléket közvetlenül hidegről melege viszi át, vagy nagyon nyirkos helyre teszi, a lencse belsején nedvesség képződhet. Ebben az esetben a rendszer nem

működik megfelelően. Hagyja a rendszert bekapcsolva körülbelül egy óráig, amíg a nedvesség el nem párolog.

14. Ne próbálja meg vegyi oldószerekkel tisztítani a készüléket, mivel ezek károsíthatják a felületét. Tiszta, száraz vagy enyhén nedves ruhával törölje meg.
15. A tápcsatlakozó kihúzásakor mindig közvetlenül a csatlakozót húzza, soha ne a kábelt.
16. A hálózati csatlakozó megszakítóeszközként szolgál, így a megszakítóeszköznek mindig elérhetőnek kell lennie.



Megfelelőség

A Blaupunkt Competence Center 2N-Everpol Sp. z o.o. kijelenti, hogy ez a készülék megfelel a 2014/53/EU irányelv alapvető követelményeink és más vonatkozó rendelkezéseinek. A megfelelőségi nyilatkozat a termék honlapjáról szerezhető be: www.blaupunkt.com.

Felelős fél: 2N-Everpol Sp. z o.o., Puławska 403A, 02-801 Varsó, Lengyelország, telefon: +48 22 331 99 59, e-mail: info@everpol.pl



A készülék kiváló minőségű, újrahasznosítható és újrafelhasználható anyagokból, illetve alkatrészekből készült.

A készülék kiváló minőségű, újrahasznosítható és újrafelhasználható anyagokból, illetve alkatrészekből készült.



Ha az áthúzott, kerekes szemetesláda szimbólum fel van tüntetve a készüléken, az azt jelenti, hogy a készülék megfelel a 2002/96/EK európai irányelvnek. Kérjük, tájékozódjon az elektromos és elektronikus készülékek helyi szelektív gyűjtésére vonatkozó előírásokról. Cselekedjen a helyi törvényeknek megfelelően, és a kiselejtezett készülékeket gyűjtse elkülönítve a lakossági hulladéktól. A feleslegessé vált készülék helyes kiselejtezésével segít megelőzni a környezetszennyezést és a különféle egészségkárosodásokat.

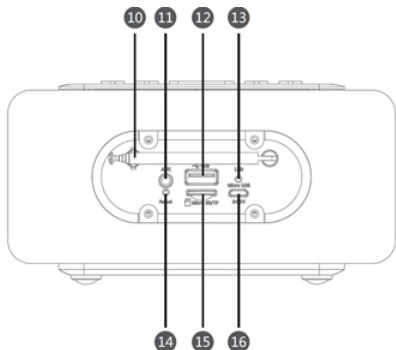
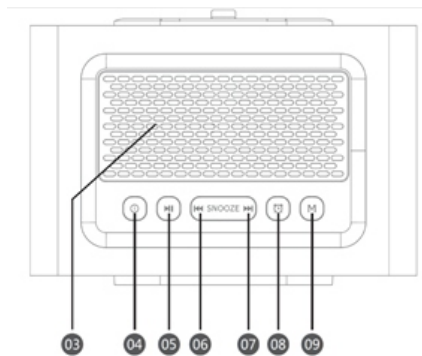
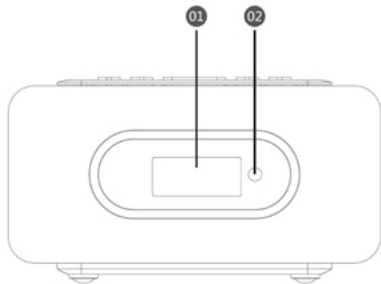


A termék akkumulátorai megfelelnek a 2006/66/EK európai irányelv követelményeinek, ezért ne kezelje őket háztartási hulladékként. Tájékozódjon a hulladékok szelektív gyűjtésének helyi rendszeréről, mivel a megfelelő hulladékkezelés hozzájárul a környezetszennyezéssel és a különféle egészségkárosodásokkal kapcsolatos következmények megelőzéséhez.

Környezetvédelemmel kapcsolatos tudnivalók

A termék csomagolása nem tartalmaz felesleges csomagolóanyagot. Igyekeztünk úgy kialakítani a csomagolást, hogy könnyen szétválasztható legyen a következő három anyagra: karton (doboz), papírmassza (védőelem) és polietilén (zacskó, védő habfólia). A rendszerben található anyagokat erre specializálódott vállalat képes újrafeldolgozni és újrahasznosítani. Tartsa be a csomagolóanyagok, elhasznált akkumulátorok és régi berendezések ártalmatlanítására vonatkozó helyi szabályozásokat. Bizonyos anyagok felvételéhez és lejátszásához hozzájárulás szükséges. Lásd az 1956-os szerzői jogi, illetve az 1958–1972-es, a szellemi tulajdon védelmével foglalkozó törvényt.

Vezérlő gombok elhelyezése



01 - Kijelző.

02 - Távirányító érzékelője.

03 - Hangszóró.

04 - Bekapcsológomb.

05 - Play / Pause (lejátszás / szünet) gomb, lehetővé teszi a lejátszást / szüneteltetést és a némítás funkció bekapcsolását.

06 - „előző” / hangerő - gomb, az előző zeneszám kiválasztását és a hangerő beállítását szolgálja.

07 - „következő” / hangerő + gomb, a következő zeneszám kiválasztását és a hangerő beállítását szolgálja.

08 - Óra gombja.

09 - USB / microSD / FM / AUX IN / Bluetooth lejátszási mód gomb.

10 - FM antenna.

11 - AUX IN csatlakozó.

12 - USB csatlakozó.

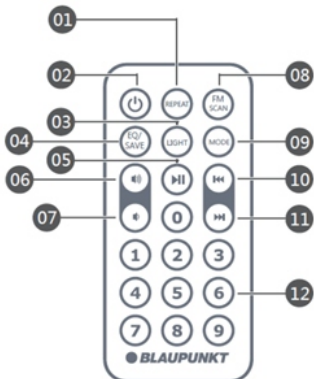
13 - LED tápjelző lámpa.

14 - A rendszer újraindítása.

15 - microSD kártya foglalat.

16 - DC 5V tápbemenet.

Távírányító



- 01— Ismétlés gomb (mindegyik ismétlése, véletlenszerű ismétlés, egyszeri ismétlés).
 02— Bekapcsolás és kikapcsolás gomb.
 03— LIGHT gomb a háttérvilágítás meghatározásához.
 04— EQ/SAVE gomb a grafikus hangszínszabályzó beállításához (kizárólag USB/microSD kártya lejátszási módban működik).
 05— Lejátszás/szünet gomb. 06— Hangerő növelése.
 07— Hangerő csökkentése. 08— FM keresés gomb.
 09— Mód kiválasztó gomb a hangforrás beállításához.
 10— Előző zeneszám gomb. 11— Következő zeneszám gomb.
 12— Numerikus gombok (0–9).

Figyelem!

- A távírányító használata előtt győződjön meg arról, hogy Cr2025 elem lett behelyezve a megfelelő polaritásokat figyelembe véve.
- A távírányító használata előtt vegye le a szigetelő fóliát.
- Az elhasznált elemeket az arra kijelölt gyűjtőhelyeken ártalmatlanítsa. Az elemek újrahasonosítására vonatkozó információt a helyi önkormányzatokban szerezhető.
- A távírányító működési távolsága 5 méter (amennyiben nincsenek akadályok a készülékek között). Irányítsa a távírányítót a készülék elülső paneljén található érzékelő irányába.

A készülék beállítása és bekapcsolása/kikapcsolása

Táp: Csatlakoztassa a mellékelt USB kábelt az elektromos aljzatba, az USB kábel másik végét pedig a készülék hátulján található microUSB csatlakozóba. Ezt követően csatlakoztassa a tápkábelt az elektromos aljzatba. A készülék megfelelő csatlakoztatását piros színű LED jelzi:

Az akkumulátor töltése: a készülék töltése az áramhoz való csatlakoztatás után kezdődik meg. Az akkumulátor teljes feltöltődésekor a hátsó panelen található LED fény zöld színűre változik. Az akkumulátor töltöttségét a kijelző jobb felső sarkában található ikon segítségével lehet leellenőrizni. Az akkumulátor lemerülésekor a készülék automatikusan kikapcsol. Ebben az esetben ismét csatlakoztatni kell a töltőt.

A készülék bekapcsolása és kikapcsolása: A készülék bekapcsolásához / kikapcsolásához tartsa lenyomva 2 másodpercig a felső panelen található bekapcsológombot. A felső panelen vagy a távirányítón található gomb rövid megnyomásával bekapcsolható / kikapcsolható a készenléti mód (óra megjelenítése, hangkimenet nélkül). A készülék bekapcsolásakor kivillan a kijelző és elindíthatóvá válnak az egyes funkciók.

Megjegyzések:

- A mellékelt USB kábel két csatlakozóval van ellátva - univerzális USB és microUSB csatlakozó. Az univerzális USB az elektromos hálózathoz való csatlakozást, a microUSB pedig egyenáram csatlakoztatását teszi lehetővé.
- A készüléket kizárólag a mellékelt tápegységgel, vagy azonos névleges paraméterekkel rendelkező tápegységgel lehet összekötni.
- Amennyiben a készüléket a felső panelen található kikapcsológombbal kapcsolja ki, úgy a készüléket nem lehet a távirányítóval bekapcsolni, mivel az áramellátás teljesen megszüntetésre kerül. A készülék beindításához ismét nyomja meg a felső panelen található bekapcsológombot.
- A készülék töltés közben is képes zenét lejátszani. Az egyszeri, teljes töltési ciklus végrehajtásakor ajánlott a készüléket kikapcsolni.

A kijelző háttérvilágításának módosítása (sötétítése)

A kijelző háttérvilágításának magas / közepes / alacsony szintre állításához nyomja meg a „LIGHT” gombot a távirányítón.

Hangerősség szabályozás:

A hangerő gyors csökkentéséhez vagy növeléséhez nyomja meg és tartsa lenyomva a felső panelen található előző, vagy következő gombot; az előző vagy következő gomb rövid megnyomása közvetlenül a hangerő gyors beállítása után lehetővé teszi a finomhangolást; amennyiben 3 másodpercig nem történik semmilyen művelet, a gombok funkciói helyreállnak és ismét a következő, előző zeneszám bekapcsolását fogják eredményezni.

Idő beállítása

Óra: Kapcsolja be a készüléket, majd az óra beállításához röviden nyomja meg a bekapcsológombot. A „mode” gomb háromszoros rövid megnyomása bekapcsolja az óra-beállító módot, a számjegyek pedig villogni fognak a kijelzőn; az óra beállításához nyomja meg az előző / következő gombot; a percek beállításához nyomja meg az „óra” gombot, szükség esetén az óra ismételt beállításához újonnan nyomja meg az óra gombot; a percek beállításához az előző / következő gombot használja, majd a jóváhagyáshoz röviden nyomja meg a bekapcsológombot.

Ébresztő: Kapcsolja be a készüléket, majd az ébresztő beállításához röviden nyomja meg a bekapcsológombot. A „mode” gomb rövid megnyomása beindítja az 1-es ébresztő beállítását, a kijelzőn pedig megjelenik az 1-es ébresztő ikonja (egy csengő és egy 1-es); az óra beállításához nyomja meg az előző / következő gombot; a percek beállításához nyomja meg az „óra” gombot, szükség esetén az óra ismételt beállításához újonnan nyomja meg az óra gombot; a percek beállításához az előző / következő gombot használja; az ébresztő forrásának kiválasztásához nyomja meg az óra gombot, az USB / microSD / rádió közötti átváltáshoz használja az előző / következő gombot;; az ébresztő beállításának véglegesítéséhez röviden nyomja meg a lejátszás / szünet gombot és a bekapcsológombot. A 2-es ébresztő beállításához nyomja meg kétszer a „mode” gombot. A folyamat további része azonos az 1-es ébresztő beállításának folyamatával.

Tippek:

- a. Az óra és az ébresztő mind akkumulátoros, mind áramról történő működtetéskor működni fog. A készülék hosszantartó működtetése esetén ajánlott a tápegység csatlakoztatása.
- b. Ébresztés közben forgassa el a nyomja meg bármelyik gombot, az előző / következő gombok kivételével gombot a hang némitásához. Az ébresztő a beállított időpontban a következő napon is bekapcsol. Az ébresztő 5 percen át szól, majd automatikusan kikapcsol.
- c. Ébresztés közben a szundi mód bekapcsolásához röviden nyomja meg a szundi gombot. Az ébresztő 5 perc eltelte után ismét bekapcsol. A szundi kikapcsolásához forgassa el a Nyomja meg bármelyik gombot.
- d. A felső panelen található óra gomb rövid megnyomása bekapcsolja és kikapcsolja az 1-es ébresztőt; az említett gomb dupla lenyomása a 2-es ébresztőt kapcsolja be és ki; a hosszú megnyomása egyszerre kapcsolja ki és be az 1-es és 2-es ébresztőt.
- e. Amennyiben USB / microSD / rádió került kiválasztásra az ébresztő forrásaként, az ébresztő zeneszámának vagy rádióállomásának megtekintéséhez röviden nyomja meg a lejátszás / szünet gombot, majd a zeneszám vagy a rádióállomás kiválasztásához forgassa el a röviden nyomja meg az előző / következő gombot és nyomja meg a lejátszás / szünet gombot az ébresztő beállításához való visszatéréshez.
- f. Amennyiben lejátszást választunk ki az ébresztő forrásaként, a készülék az előre beállított időpontban automatikusan elindítja a rádió / USB / microSD lejátszást. A lejátszás / szünet gomb rövid megnyomása lehetővé teszi az ébresztő forrásának rádió / USB / microSD közötti átváltását. A készülék 120 percre kapcsol be, majd automatian leáll.
- g. Amennyiben USB vagy microSD módot választ az ébresztő forrásaként győződjön meg arról, hogy az USB háttértároló / microSD megfelelően van csatlakoztatva.
- h. Az ébresztő akkor is működni fog, amikor a készülék ki van kapcsolva (kikapcsolt kijelző).

Sleep automatikus altatás: Sleep: Amikor a készülék készenléti állapotban van (a kijelzőn az óra jelenik meg), a play / pause gomb rövid megnyomása aktiválja az altatási mód beállítását, a 15/30/45/60/75/90/120 perces értékek vagy a kikapcsolt állapot kiválasztásához röviden nyomja meg az előző / következő gombot, majd a kiválasztás véglegesítéséhez röviden nyomja meg a lejátszás / szünet gombot. Lejátszási módban (rádió / USB / microSD / Bluetooth / aux) az előre meghatározott idő után kikapcsolásra kerül a hang. A készenléti állapotba való visszatérés után az altatásig fennmaradó idő megjelenítéséhez röviden nyomja meg a lejátszás / szünet gombot.

FM rádió használata

A készülék egy kihúzható antennával rendelkezik FM rádióállomások vételéhez. FM rádióállomás hallgatása előtt húzza ki teljesen az antennát és a jobb vétel érdekében helyezze a készüléket ablak közelébe. Kapcsolja be a készüléket és nyomogassa a „mode” gombot az felső panelen vagy a távirányítón amíg a kijelzőn meg nem jelenik a rádió mód.

1. Rádióállomások automatikus hangolása és elmentése: FM rádióállomások automatikus kereséséhez és elmentéséhez röviden nyomja meg az FM SCAN gombot, vagy 3 másodpercen át tartsa lenyomva az felső panelen található lejátszás / szünet gombot. A készülék maximum 60 rádióállomás elmentését teszi lehetővé.

2. Automatikus keresés: az elérhető rádióállomások felfelé és lefelé történő kikereséséhez nyomja meg és tartsa lenyomva az előző vagy következő zeneszám gombot az na pilocie vagy a távirányítón. A készülék automatikusan lejátssza az elérhető rádióállomásokat. Az adott rádióállomás elmentéséhez nyomja meg a távirányítón a SAVE gombot.

3. Rádióállomások kézi elmentése: Az automatikus keresés segítségével válassza ki a kívánt rádióállomást, majd a távirányítón található SAVE gombbal mentse el. A frekvencia 0,1 MHz-el történő léptetéséhez nyomja meg röviden a távirányítón található „REPEAT” gombot, majd a távirányítón a hangerő + vagy - gombot, a rádióállomás kézi elmentéséhez használja a „SAVE” gombot; 10 másodpercnyi művelethiány után a volume +/- gombok funkciója helyreáll.

4. A gyenge jelerősségű, automatikusan elmentett rádióállomások törlése: amennyiben automatikus keresés közben a készülék gyenge jelerősségű rádióállomást ment el, lehetséges van a törlésére. Ennek végrehajtásához lejátszás közben tartsa lenyomva a távirányítón a „0” gombot. A rádióállomás törlésre kerül, a helyét pedig egy másik állomás veszi át.

5. Adott rádióállomás előhívása: Az adott frekvencián található rádióállomás beállításához használhatóka tá virányítón található numerikus gombok. A 104,3 MHz-en található rádióállomás beállításához nyomja meg a távirányítón az 1-0-4-3 gombokat. A készülék kikeresi és lejátssza a rádióállomást.

6. Elmentett rádióállomások kiválasztása: az elmentett rádióállomás kiválasztásához röviden nyomja meg az előző vagy következő zeneszám gombot az elülső panelen vagy a távirányítón; a rádióállomások a távirányítón található numerikus gombok segítségével is kiválaszthatók. A 12-es szám alatt elmentett rádióállomás lejátszásához nyomja meg a távirányítón az 1-2 gombokat; a rádióállomás lejátszásra kerül.

USB háttértároló /microSD lejátszás

MP3 lejátszás előtt ellenőrizze le, hogy az USB tárhely csatlakoztatva lett-e az USB-be, vagy, hogy behelyezésre került-e a készülék hátulján a microSD kártya. A memóriaeszközökre MP3 formátumú zeneszámokat másoljon. A készülék legfeljebb 32 GB-os tárhelyet támogat.

1. Az USB vagy microSD kártya mód bekapcsolásához nyomja meg a MODE vagy az M gombot. A készülék automatikusan felismeri a zeneszámokat és a fájlok számának kivetítése után elindul a lejátszás.

2. Az előző vagy következő zeneszám kiválasztásához röviden nyomja meg az előző vagy következő zeneszám gombot; a zeneszám gyors előre vagy hátratekeréséhez tartsa lenyomva az előző vagy következő zeneszám gombot a távirányítón.

3. Az adott számú zeneszám lejátszásához röviden nyomja meg a távirányítón található numerikus gombokat.

4. Az ismétlési mód kiválasztásához röviden nyomja meg a REPEAT gombot: egy zeneszám ismétlése, mindegyik zeneszám ismétlése vagy véletlenszerű lejátszás. Ugyanez a művelet végrehajtható az előlő panelen található lejátszás / szünet gomb 3 másodperces lenyomva tartásával.

5. Amennyiben a zeneszám egy bizonyos részét szeretné ismételtetni, a kiválasztott rész elejének meghatározásához nyomja meg és 3 másodpercig tartsa lenyomva a REPEAT gombot, amíg a kijelzőn meg nem jelenik a P-A szimbólum; ezt követően a rész végének beállításához nyomja meg és 3 másodpercig tartsa lenyomva a REPEAT gombot a P-b szimbólum megjelenéséig. A készülék a kiválasztott részt fogja ismételni. Nyomja meg és tartsa lenyomva a REPEAT gombot a P-E szimbólum megjelenéséig; ez az ismétlési funkció kikapcsolását jelzi.

6. A grafikus hangszínszabályzó beállításához MP3 zeneszámok lejátszásakor röviden nyomja meg a távirányítón található EQ gombot: NORMAL/ROCK/POP/CLASS/JAZZ/BASS.

Megjegyzések:

- USB hosszabbító kábel használata nem ajánlott, mivel az befolyásolja az audió jel minőségét és háttérzaj (interferencia) kialakulásához vezethet.
- A készülék USB háttértároló vagy microSD kártya behelyezésekor automatikusan leolvassa a zeneszámokat.

AUX IN bemenet használata (MP3 csatlakoztatása)

A mellékelt 3,5 mm–3,5 mm sztereó kábel egyik végét csatlakoztassa a hátsó panelen található AUX IN bemenetbe, a másik végét pedig a külső lejátszóba (pl. MP3 lejátszó). A rádió lejátszási módja automatikusan AUX IN-re vált. Válasszon ki egy zeneszámot a külső készüléken és indítsa el a lejátszást. A zene a hangszóróból fog szólni.

Az AUX IN bemenethez csatlakoztatott készülék az azon megtalálható gombokkal vezérelendő. AUX IN módban a hangerősség-szabályozó és a lejátszás / szünet gombok használhatók.

Műszaki adatok

Áramforrás: DC IN 5V / 600mA

3.7V / 1800mA (akkumulátor kapacitása)

RMS Kimeneti teljesítmény: 2 x 2,5 W RMS.

FM sáv szélesség: 87,5 – 108,0 MHz;

USB névleges adat: 150 mA.

Áramfelvétel: 9,5 W;

Áramfelvétel készenléti állapotban: <0,5 W

Gyári beállítás:

Rendszeridő: 00:00

Időformátum: 24 órás.

Készenléti mód bekapcsolási ideje: kikapcsolva

Riasztás időtartama: 5 perc

Hangerő: 15

(a fenti adatok előzetes értesítés nélkül módosulhatnak)

Problémák elhárítása

1. Nem kapcsol be a kijelző.

- Ellenőrizze le, hogy megfelelően csatlakoztatta-e a készüléket az egyenáramhoz.
- A készülék bekapcsolásához tartsa lenyomva 3 másodpercig a bekapcsológombot.
- Ha a probléma továbbra is fennáll, vegye fel a kapcsolatot a helyi szervizzel.

2. A rádióállomás nem megfelelő minőségű.

- A legjobb vétel érdekében helyezze a készüléket ablak közelébe.
- Keressen ki másik rádióállomást.
- Ha a probléma továbbra is fennáll, vegye fel a kapcsolatot a helyi szervizzel.

3. A hangminőség USB tárhelyről vagy microSD kártyáról történő lejátszáskor nem megfelelő

- Győződjön meg arról, hogy az USB tárhely és a microSD kártya megfelelően lett csatlakoztatva/behelyezve
- Ha a probléma továbbra is fennáll, kapcsolja ki és be a készüléket.
- Ha a probléma nem szűnik meg, vegye fel a kapcsolatot a helyi szervizzel.

VAŽNE SIGURNOSNE UPUTE



UGROŽENJE OD ELEKTRIČNOG
UDARA NEMOJTE OTVARATI

Važne sigurnosne upute

Oprez:

Kako bi se smanjila opasnost od električnog udara, nemojte skidati poklopac niti stražnj dio uređaja. Unutar uređaja ne postoje komponente za popravak od strane korisnika. Održavanje i popravak opreme izvršava isključivo kvalificirano servisno osoblje.

Objašnjenje grafičkih simbola:



Simbol munje sa sa strelicom koji se nalazi u jednakokraničnom trokutu upozorava na prisutnost neizoliranog „opasnog napona“ unutar kućišta uređaja koja može postići veličinu uzrokujuću strujni udar.



Uskličnik unutar jednakokraničnog trokuta upozorava korisnika da ovdje su prezentirane važne poruke za rad i održavanje opreme u dokumentaciji priloženoj uređaju. Pročitajte ovaj priručnik prije uporabe uređaja dase upoznate sa značajkama i kako koristiti uređaj sukladno namjeni. Ovo će osigurati dugotrajan, besprijekoran rad uređaja i zadovoljstvo uz korištenje.

Važne informacije

- Sačuvajte operativne upute i sigurnosne informacije kako bi se ih moglo koristiti u budućnosti.
- Nemojte dopustiti da na uređaj kapa ili proliva se bilo koja tekućina.
- Ne smije se također koristiti na vlažnim mjestima, kao što su npr. kupaonica.
- Ne postavljajte uređaj na sljedećim mjestima:
- Izložen suncu ili blizu grijalica.
- Na vrh druge stereo opreme koja generira toplinu.
- Tako da blokira ventilaciju ili u prašnjavom mjestu.
- U okružju izloženom neprekidnim vibracijama.
- U područjima visoke vlage.
- Ne postavljajte uređaj blizu otvorenog plamena ili otvorene vatre.
- Uređaj se može koristiti samo na način opisan u ovim uputama.
- Prije prvog uključivanja napajanja, pobrinite se da je napajanje ispravno pripojeno.
- USB memoriju se pripaja neposredno ili preko produžnog USB kabela s dužinom do 25 cm.

Iz sigurnosnih razloga, nemojte skidati poklopce ili pristupiti unutrašnjosti uređaja. Uređaj smije popravljati samo kvalificirano servisno osoblje.

Nemojte rastavljati uređaj ili otvarati njegovo kućište, jer unutra nema dijelova koje bi se moglo popraviti od strane korisnika. Održavanje i popravak opreme izvrši isključivo kvalificirano servisno osoblje.

Sigurnosne upute

- 1. Pročitajte upute** - prije uporabe stroja, pročitajte sve upute i informacije o sigurnosti.
- 2. Sačuvajte ove upute** - zadržite upute za upotrebu i održavanje kako bi se ih moglo koristiti u budućnosti.
- 3. Poštujte upozorenja** - slijedite sva upozorenja objavljena na uređaju te koje se nalaze u uputama.
- 4. Slijedite upute** - slijedite upute i preporuke za korisnike.
- 5. Montaža** - montirajte uređaj prema uputama proizvođača.
- 6. Izvori energije** - uređaj treba napajati samo iz izvora koji je naveden na naljepnicama na kabelu napajanja. Ako niste sigurni koju vrstu napajanja ima vaša kuća, obratite se prodavatelju ili lokalnoj energetskoj tvrtki.
- 7. Uzemljenje ili polarizacija napajanja** - uređaj ne mora biti uzemljen. Provjerite je li utikač potpuno umetnut u utičnicu ili u produžni kabel, kako bi se spriječilo otkriće igle ili kontakata. Neke verzije stroja mogu biti opremljene polariziranim utikačem izmjenične struje (jedna lopatica je šira). Ovaj utikač se može umetnuti u utičnicu samo na jedan način. Ovo je sigurnosna značajka. Ako ne možete staviti utikač u utičnicu, pokušajte ga okrenuti. Ako utikač i dalje ne odgovara utičnici, pozovite električara da to promijeni. Ne skidajte zaštitu polariziranog utikača. Kada koristite produžni kabel ili kabel za napajanje osim isporučenog s uređajem morate imati odgovarajuće čepove i potvrdu o sigurnosti potrebnu za određenu zemlju upotrebe.
- 8. Osiguranje kabela za napajanje** - energetske kabele moraju biti preusmjereni na takav način kako ne bi se moglo kroz njih hoditi, pritiskivati ili obrezivati bilo kojim postavljanim objektima. Obratite posebnu pozornost na utikače, utičnice i mreže, gdje kabele izlaze iz uređaja.
- 9. Preopterećenja** - nemojte preopteretiti zidne utičnice, produžne kabele i električne distributere, jer ovo baš može dovesti do požara ili strujnog udara.
- 10. Ventilacija** - uređaj mora biti pravilno provjetran. Ne postavljajte uređaj na krevet, kauč ili drugu sličnu površinu. Nemojte prekrivati stroj stolnjakom, salvetom, novinama i sl.
- 11. Vrućina** – nemojte postavljati uređaj u blizini izvora topline kao što su grijači, radijatori, peći i ostali uređaji (pojačala) koji stvaraju toplinu. Ne stavljajte na uređaj upaljenih svijeća i drugog otvorenog plamena.
- 12. Voda i vlaga** - kako bi se smanjio rizik od požara ili električnog udara, nemojte izlagati uređaj kiši, vlazi i vodi, na primjer u sauni ili u kupaonici. Ne koristite ovaj proizvod u blizini vode, primjerice blizu kade, umivaonika, sudopera ili kade za pranje rublja, u vlažnom podrumu ili blizu bazena (ili u drugim sličnim mjestima).
- 13. Predmeti i tekućine u uređaju** - nemojte gurati predmete kroz otvore jer može doći do kontakta s opasnim naponom te komponenata, koje mogu izazvati požar ili strujni udar. Ni pod kojim uvjetima ne proljevajte nikakvu tekućinu na površini uređaja. Ne stavljajte predmete na vrhu koje sadrže tekućine.

- 14. Čišćenje** - uvijek prije čišćenja isključite uređaj iz zidne utičnice. Prašinu oko zvučnika se može ukloniti suhom krpom. Ako za čišćenje će se koristiti sredstvo u obliku aerosola, sprej ne bi se smijelo da bude usmjeren izravno na stroj, ali tkaninu. Budite oprezni da ne oštetiti pogonske jedinice.
- 15. Dodatna oprema** - nemojte koristiti pribore koji nisu odobreni od strane proizvođača, jer mogu predstavljati prijetnju za rad uređaja i za samog korisnika.
- 16. Pribori** - nemojte postavljati uređaj na nestabilne kolice, stalku, tronožcu, nosaču ili stolu. Uređaj se može kotrljati i oštetiti se ili uzrokovati ozbiljne ozljede djeci ili odraslim osobama. Koristite samo kolice, stalke, tronožce, nosače ili stolove kojih preporučuje proizvođač ili se ih prodaje zajedno s uređajem. Montažu uređaja se mora provesti u skladu s uputama proizvođača, koristite pribore za ugradnju oobrene od strane proizvođača.
- 17. Premještanje stroj** - uređaj postavljen na kolicama mora se premješati vrlo pažljivo. Naglo zaustavljanje, previša sila i neravne površine mogu uzrokovati da kolica s uređajem prevrne.
- 18. Vrijeme bez korištenja uređaja** – kabel napajanja mora biti isključen iz zidne utičnice tijekom grmljavinskog nevremena ili ako se ga ne koristi duže vrijeme.
- 19. Servisiranje** - ne pokušavajte pogledati unutrašnjost uređaja sami. Otvaranje poklopca može uzrokovati opasne napone i izložiti vas drugim opasnostima. Održavanje i popravak opreme vrši isključivo kvalificirano servisno osoblje.
20. Kada stroj nije u uporabi, izvucite mrežni utikač iz zidne utičnice. Kad je uređaj pripojen na izvor napajanja, uređaj je u stanju čekanja i nije u potpunosti isključen.
21. Rezervni dijelovi – tijekom zamjene dijelova, treba provjeriti dla li servisera je koristio rezervne dijelove koje preporučuje proizvođač ili dijelove koje su identične originalnim dijelom. Izrada zamjene neodobrenih rezervnih dijelova ugrožava od požara, strujnog udara ili drugih opasnosti.
22. Glavni osigurači – da bi se konstantno osiguralo uređaj od požara, koristite osigurače samo odgovarajuće vrstu i određenih parametara. Parametri osigurača u rasponu napona su označeni na uređaju.
23. Ne smije se da se povećava glasnoću dijela kad se sluša dio s niskom glasnoćom ili u slučaju odsutnosti ulaznog audio signala. Inače, s naglim porastom snage signala možete oštetiti zvučnik.
24. Jedini način da isključite uređaj iz izvora napajanja je takav da odspojite mrežni kabel iz zidne utičnice ili uređaja. Električna utičnica ili kabel ulazne snaga na uređaju mora biti uvijek na raspolaganju kada koristite proizvod.
25. Uređaj bi trebao biti instaliran u blizini utičnice napajanja ili produžnog kabela na takav način su oni uvijek na raspolaganju.
26. Maksimalna temperatura okoline uređaja je 35°C
- 27. Savjeti za elektrostatička pražnjenja** - ako se rad prekine zbog elektrostatičkog pražnjenja, isključite uređaj ponovno ili premjestiti ga na drugo mjesto.

28. Baterija

- a. Baterije se ne smije izlagati pretjeranoj toplini, npr. suncu, vatri i sličnim uvjetima.
- b. Kod zbrinjavanja baterije, obratite pažnju na aspekte okoliša.
- c. Ponašajte se oprezno tijekom korištenjem baterija: kako bi se spriječilo curenje baterije, koje može uzrokovati ozljede ili oštećenja na uređaju:
 - Pri umetanju baterija obratite pažnju na polaritet (+ i -).
 - Nemojte koristiti različite baterije u isto vrijeme - stare i nove, alkalne baterije, standardne itd.
 - Izvadite baterije iz uređaja kad se ga neće koristiti duže vrijeme.

Napomena o ERP2 (oprema koja se odnosi na energiju)

Ovaj ekodizajnirani uređaj zadovoljava zahtjeve 2. faze Uredbe Komisije (EZ) br. 1275/2008 kojom se provodi Direktivu 2009/125/EZ o potrošnji energije od strane isključenih i elektroničkih uređaja ili uređaja u modu čekanja za uredsku i kućnu uporabu.

UPOZORENJE

Uređaj ne smije biti korišten od strane osoba (uključujući djecu) sa smanjenim fizičkim, osjetilnim ili mentalnim sposobnostima te osoba s nedovoljnim znanjem i iskustvom, ako nisu one pod nadzorom osobe odgovorne za njihovu sigurnost i nisu obučeni o tome kako sigurno koristiti uređaj. Prisutnost odraslih je potrebna ako uređaj koriste djeca; ovo će osigurati sigurnu uporabu uređaja.

1. Nikada ne ostavljajte stroj da radi bez nadzora! Isključite uređaj kada nije u uporabi, čak i za kratko vrijeme.
2. Uređaj se ne može upravljati putem vanjskog sata s timerom, ili posebnim sustavom daljinskog upravljanja.
3. Da bi se izbjegla opasnost u slučaju štete za zamjenu kabela napajanja treba se obratiti proizvođaču, ovlaštenom servisu ili drugim stručnim osobama.
4. Prije uporabe uređaja, provjerite je li napon odgovara naponu koji je nastao u mrežnom naponu.
5. Nemojte prekrivati ventilacijske otvore uređaja, npr. papirom, tkaninama, zavjesama, itd. Uvjerite se da uređaj ima najmanje 20 cm slobodnog prostora, a na svakoj strani - najmanje 5 cm.
6. Nemojte dopustiti da na uređaj kapaju ili prolivaju tekućine, te nemojte stavljati posude s tekućinom, poput vaza.
7. Kako biste spriječili požar ili strujni udar, uređaj mora biti zaštićen od žarišta, kiše, vlage i prašine.
8. Ne postavljajte uređaj blizu izvora vode, npr. slavine, kade, bazena ili perilice rublja. Staviti uređaj na ravnu i stabilnu površinu.
9. Nemojte da uređaj izlažete jakim magnetskim poljima.
10. Nemojte da uređaj stavljajte izravno na pojačalu ili prijamniku.
11. Ne postavljajte uređaj na vlažnom mjestu, jer vlaga ima štetan učinak na električne komponente.

12. Dovođenje uređaja iz hladnog u toplo vlažnom mjestu može uzrokovati kondenzaciju na leći unutar playera. U ovom slučaju, uređaj neće raditi ispravno. Uređaj se mora ostaviti uključen oko jedan sat kako bi se omogućilo isparavanje vlage.

13. Izbjegavajte korištenje kemijskih otapala, jer mogu oštetiti boju kućišta. Uređaj se obriše čistom, suhom ili vlažnom krpom.

14. Prilikom uklanjanja utikača iz zidne utičnice, uvijek povucite utikač, a ne kabel.

15. Kada uređaj se koristi u blizini uključenog televizora, ovo može biti izvor buke ili slike u obliku linije na zaslonu uređaja. Ovo ovisi o propusnosti emitiranja valova. To ne označava kvar uređaja ili televizora, ako vidite takve linije, pomaknite uređaj dalje od TV prijemnika.

16. Mrežni utikač se upotrebljava za isključivanje napajanja zato mora biti uvijek na raspolaganju.

17. Da biste spriječili mogući gubitak sluha, ne slušajte glasno glazbu kroz duže vrijeme.



NAPOMENA



Izjava

Niže navedenim Blaupunkt Competence Center 2N-Everpol Sp. z o.o. izjavljuje da je ovaj proizvod u skladu sa zahtjevima i drugim relevantnim odredbama Direktive 2014/53/EU. Za potpunu Izjavu o sukladnosti posjetite stranicu www.blaupunkt.com na kartici proizvoda. Odgovorni subjekt: 2N-Everpol Sp. Z o.o.

Puławska 403A, 02-801 Varšava, Poljska

Telefon: +48 22 331 99 59, e-mail: info@everpol.pl



Proizvod je izrađen od visokokvalitetnih materijala i dijelova koji se mogu reciklirati i ponovo upotrijebiti.



Ako vaš uređaj ima znak prekrížene kante za otpatke, ovo označava da je proizvod pokriven odredbama Europske direktive 2012/19/EU. Molimo poštuje zahtjeve lokalnog sustava za prikupljanje električnog otpada i elektroničke opreme. Radite u skladu s lokalnim propisima. Ne bacajte ovaj proizvod zajedno s kućnim otpadom. Ispravnim odlaganjem starog proizvoda spriječit ćete potencijalne negativne posljedice na okoliš i zdravlje ljudi.

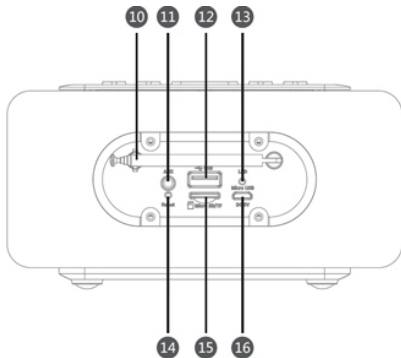
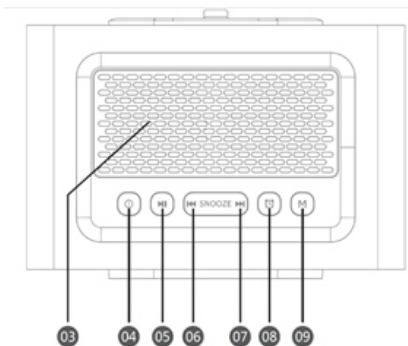
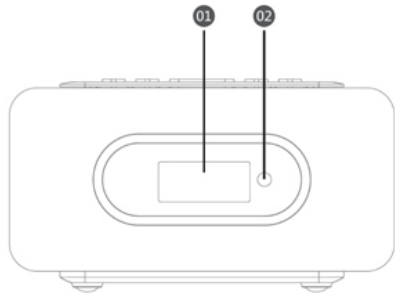


Uređaj je opremljen sa baterijama obuhvaćenim Europskom direktivom 2013/56/EU. Baterije se ne smije odlagati zajedno s komunalnim otpadom. Molimo pogledajte lokalne propise o zasebnom prikupljanju baterija jer ispravnim odlaganjem spriječit ćete potencijalne negativne posljedice na okoliš i zdravlje ljudi.

Informacije o zaštiti okoliša

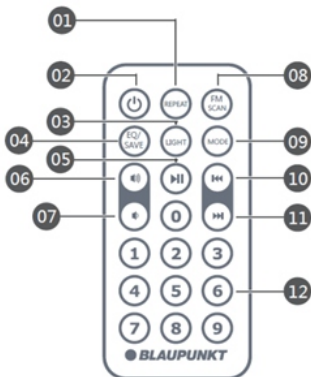
Paket uključuje samo nužne komponente. Svaki napor je napravljen da bit tri sastavni komponenti paketa lako odvojili: karton (kutija), polistirenska pjena (zaštita unutra) i polietilen (vrećica, zaštitna folija). Uređaj je izrađen od materijala koje se može reciklirati i ponovo upotrijebiti nakon demontaže od strane specijalizirane tvrtke. Poštujte lokalne propise o raspolaganju iskorišćenih ambalažnih materijala, baterija i nepotrebne opreme. Snimanje i reprodukcija materijala može zahtijevati pristanak. Vidi Zakon o autorskim pravima i prava izvođača/umjetnika.

Položaj upravljačkih elemenata



- | | |
|--|-------------------------------------|
| 01 - Zaslon. | 02 - Senzor daljinskog upravljanja. |
| 03 - Zvučnik. | 04 - Tipka napajanja. |
| 05 - Tipka Play / Pause (Reproducirajte / Pauza) omogućava reprodukciju / zaustavljanje i isključivanje zvuka. | |
| 06 - Tipka „prethodni“/ glasnoća – tipka izbora prethodne pjesme i kontrole glasnoće. | |
| 07 - Tipka „sljedeći“/ glasnoća + tipka izbora sljedeće pjesme i kontrole glasnoće. | |
| 08 - Tipka sata. | |
| 09 - Tipka načina reprodukcije USB / microSD / FM / AUX IN. | |
| 10 - FM antena. | 11 - Priključak AUX IN. |
| 12 - USB port. | 13 - LED indikator napajanja. |
| 14 - Resetiranje sustava. | 15 - Utor microSD kartica. |
| 16 - Priključak napajanja DC5V. | |

Daljinski upravljač



01- Tipka ponavljanja (ponavljanje svega, slučajno i ponovi jednom).

02- Tipka uključavanja i isključavanja snage.

03- Tipka LIGHT za podešavanje svjetlosti pozadinskog osvjetljenja.

04- Tipka EQ/SAVE za izbor postavki grafičkog ekvilizatora (radi samo u načinu reprodukcija iz USB/microSD kartice).

05- Tipku reproducirajte / pauza.

06- Povećanje glasnoće.

07- Smanjenje glasnoće.

08- Tipka skeniranja FM.

09- Tipka načina rada za odabir izvora signala.

10- Tipka prethodne pjesme.

11- Tipka sljedeće pjesme.

12- Brojčane tipke (0-9).

Pažnja!

a. Prije uporabe daljinskog upravljača, provjerite da li ste dobro instalirali CR2025 baterije i pravilno održavali polarizaciju.

b. Izolacijski filmovi moraju biti uklonjeni prije uporabe daljinskog upravljača.

c. Iskorištene baterije treba zbrinuti u posebno za to pripremljene spremnike. Informacije o recikliranju baterija se može dobiti kod lokalne vlasti.

d. Radni opseg daljinskog upravljača je 5 metara (bez prepreka između uređaja). Usmjerite daljinski upravljač prema senzoru koji se nalazi na prednjoj ploči.

Konfiguracija i uključivanje/isključivanje uređaja

DC napajanje: pripojite USB kabel na AC adapter a drugi njegov kraj na ulaz snage microUSB na stražnjoj strani uređaja. Zatim priključite AC adapter u zidnu utičnicu. Nakon uspješnog spajanja uređaja uključi crvena LED dioda.

Punjenje akumulatora: uređaj počinje punjenje kada je spojen na istosmjernu struju. LED dioda na stražnjoj ploči postaje zelen kada je uređaj potpuno napunjen. Stanje napunjenosti baterije možete provjeriti putem pogledanja ikone baterije u gornjem desnom kutu zaslona. Uređaj se automatski isključuje u slučaju pražnjenja baterije. Ako se to dogodi pripojite uređaj na punjenje.

Uključivanje i isključivanje uređaja: Pritisnite i zadržite tipku za napajanje na gornjem panelu uređaja za 2 sekunde kako biste uključili/isključili uređaj. Kratko pritisnite tipku za uključivanje na gornjoj ploči ili na daljinskom upravljaču, tako možete uključiti/isključiti uređaj u stanje pripremljenosti (prikaz sata, bez izlaza zvuka). Nakon prikaza snage će zasvijetliti, a zatim možete započeti druge aktivnosti.

Napomene:

- Isporučeni USB kabel ima dvije utičnice - univerzalnu USB i microUSB. Univerzalni USB priključak se koristi za povezivanje AC adaptera te priključak microUSB za povezivanje utičnice DC napajanja na uređaj.
- Uređaj se može napajati samo pomoću isporučenog punjača ili punjačem s identičnim nazivnim specifikacijama.
- Nakon isključenja napajanja pomoću tipke napajanje na gornjem panelu uređaj ne može uključen daljinskim upravljačem zbog isključenja cijle struje. Pritisnite tipku napajanja na gornjem panelu za ponovno pokretanje uređaja.
- Uređaj može reproducirati audio tijekom punjenja. U slučaju jednog punog ciklusa napajanja preporučuje se da se potpuno isključi uređaj.

Podešavanje pozadinskog osvjetljenja zaslona (prigušivač svjetla)

Pritisnite tipku "LIGHT" na daljinskom upravljaču za podešavanje svjetline osvjetljenja zaslona između visoke / srednje i niske razine.

Podešavanje glasnoće:

Pritisnite i držite tipku prethodni ili sljedeći na gornjoj ploči za povećanje ili smanjenje glasnoće pri velikoj brzini; kratko pritiskanje tipke prethodni ili sljedeći neposredno nakon podešavanja glasnoće pri velikoj brzini omogućit će postupnu prilagodbu; ostavite tipku prethodni ili sljedeći za 3 sekunde bez daljnjeg rada kako biste se vratili na njihovo korištenje u posljednjem ili sljedećem načinu odabira pjesama.

Postavke vremena

Sat: Uključite uređaj, a zatim pritisnite kratko tipku napajanja da uđete u način postavljanja sata. Tri puta, kratkim pritiskom na tipku „mode“ će se započeti postavljanje sata a ikona sata će treptati na zaslonu; pritisnite tipku prethodni / sljedeći za podešavanje vremena; pritisnite tipku sata za unos postavki minuta ili ponovno pritisnite tipku sata kako biste se vratili na postavku sata; pritisnite tipku prethodni / sljedeći za podešavanje minuta, a zatim kratko pritisnite tipku napajanja za završetak podešavanja sata.

Alarm: Uključite uređaj, a zatim pritisnite kratko tipku napajanja da uđete u postavke alarma. Kratkim pritiskom na „mode” početi postavljanje alarma 1 a ikona alarma 1 (zvano s brojem 1) će zasvijetliti; pritisnite tipku prethodni / sljedeći za podešavanje vremena; pritisnite tipku sata za unos postavki minuta ili ponovno pritisnite tipku sata kako biste se vratili na postavku sata; pritisnite tipku prethodni / sljedeći za podešavanje minuta; pritisnite tipku sata da biste se prebacili na izvor alarma, pritisnite tipku prethodni / sljedeći za uključenje izvora alarma između zvučnih signala / USB / microSD / radija. Da biste postavili alarm broj 2 dvostruko pritisnite „mode” za pokretanje postavke programa. Daljnji postupak je isti kao kod postavke alarma br. 1.

Savjeti:

- a. Sat i alarm će raditi s naponom od baterija ili mrežnog priključka. Tijekom dugotrajne uporabe uređaja, preporučujemo mrežni priključak.
- b. Kada se aktivira alarm, pritisnite bilo koju tipku osim tipke prethodni / sljedeći, za isključivanje alarma. Alarm će se ponovo uključiti sljedećeg dana u isto vrijeme. Trajanje alarma je 5 minuta i automatski se isključuje kad nema daljnje aktivnosti.
- c. Nakon aktiviranja alarma, pritisnite tipku odgode da bi se nakratko otišlo u stanje mirovanja. Alarm će se uključiti opet nakon daljnjih 5 minuta. Pritisnite bilo koju tipku za isključivanje mirovanja.
- d. Ukratko, jednom pritisnite tipku sata na gornjem panelu da biste mogli uključiti ili isključiti alarm 1; kratko, dvostrukim klikom na ovu tipku možete aktivirati ili deaktivirati alarm broj 2; Dugi pritisak također može uključiti ili isključiti istovremeno alarm 1 i alarm 2.
- e. Ako odaberete USB / microSD / radio kao izvor alarma, kratko pritisnite tipku Reproducirajte / Pauza za pregled pjesama ili radio stanica koja će se uključiti s alarmom, kratko pritisnite tipku prethodni / sljedeći, za prebacivanje pjesama ili radijskih stanica, pritisnite Reproducirajte / Pauza za povratak na postavke alarma.
- f. Kada se odlučite za reproduciranje kao izvor alarma, to znači da će uređaj automatski uključiti radio reprodukcije / USB / microSD u predodređeno vrijeme. Kratko pritisnite Reproducirajte / Pauza što omogućuje prebacivanje između zvuka alarma radio / USB / microSD. Uređaj će se uključiti za 120 minuta i ona se automatski isključuje.
- g. Provjerite je li USB nosilec / microSD sa glazbom so ispravno spojeni, ako se odlučite za USB / microSD kao izvor alarma.
- h. Alarm je također dostupan kada je uređaj isključen (isključeni zaslon).

Funkcija mirovanja Sleep: Sleep: Kad je uređaj u pripravnom stanju (vrijeme je prikazano na zaslonu), kratko pritisnite tipku reproducirajte / pauza za aktiviranje načina mirovanja, nakratko pritisnite tipku prethodni / sljedeći za podešavanje vremena mirovanja između 15/30/45/60/75/90/120 minuta ili isključeno, kratko pritisnite tipku reproducirajte / pauza za potvrdu. U načinu reprodukcije zvuka (radio / USB / microSD / Bluetooth / AUX), zvuk će se automatski isključiti nakon podešenog vremena. Kada se vratite u stanje čekanja, kratko pritisnite tipku reproducirajte / pauza za provjeru preostalog vremena spavanja.

Rukovanje FM radijem

Uređaj ima sklopivu antenu za slušanje FM stanica, prije slušanja FM radija potpuno izvucite antenu i podesite prijemnik u blizini prozora da biste dobili bolji prijem. Uključite napajanje i pritisnite tipku „MODE“ na gornjem ploči ili tipku MODE na daljinskom upravljaču dok se ne pojavi način rada radija.

1. Automatsko podešavanje i programiranje stanica: Kratko pritisnite tipku FM i pritisnite SCAN ili držite 3 sekunde Reproducirajte / Pauza tipku na daljinskom upravljaču ili na gornjem ploči za početak automatsko skeniranja i spremanje radijskih stanica. Uređaj vam omogućuje pohranu do 60 stanica.

2. Automatsko skeniranje: Pritisnite i zadržite tipke prethodni i sljedeći na daljinskom upravljaču za automatsko skeniranje dostupnih stanica gore i dolje na traci. Uređaj se zaustavlja i reproducira automatski dostupnu stanicu. Pritisnite tipku SAVE na daljinskom upravljaču, da biste zapisali trenutnu stanicu.

3. Ručno programiranje stanice: Koristite automatsko skeniranje za odabir omiljene radijske stanice, a zatim pritisnite tipku SAVE na daljinskom upravljaču kako biste ga unijeli u memoriju. Kratko pritisnite tipku "REPEAT" na daljinskom upravljaču, zatim pritisnite + ili - na daljinskom upravljaču za promjenu radio frekvencije za 0,1 MHz, pritisnite gumb "SAVE" za ručno spremanje trenutne stanice; nakon 10 sekundi bez rada, tipke za glasnoću +/- ponovo će nastaviti kontrolu glasnoće.

4. Uklanjanje automatski pohranjenih stanica sa slabim signalima: kad su automatski naprijed programski programi uređaja dovesti do memorije sa slabim signalom, moguće je da ih ukloniti. Da biste to učinili kada igrate takvu postaju na daljinskom upravljaču pritisnite i držite „0“. Stanica će biti uklonjena i na njegovo mjesto će biti još jedan pohranjena postaja.

5. Izazovanje stanice: postaviti frekvenciju stanice, možete pritisnuti numeričke tipke na daljinskom upravljaču. Za postavljanje frekvencija postaji 104,3 MHz, 1-0-4-3 Pritisnite brojčane tipke na daljinskom upravljaču. Jedinica će ugoditi i igrati postaju.

6. Odabir pohranjene stanice: Kratko pritisnite prethodnog ili sljedećeg zapisa na prednjoj ploči ili daljinskom upravljaču za odabir pohranjene postaje; Također možete odabrati postaju pritiskom na brojčane tipke na daljinskom upravljaču. Za slušanje pohranjene postaje 12, pritisnite brojčane tipke 1-2 na daljinskom upravljaču; stanica će se reproducirati.

Rukovanje reprodukcijom iz USB/microSD kartice

Prije reprodukcije MP3, provjerite je li USB memorija spojena na USB ili microSD kartica umetnuta u stražnjem dijelu uređaja. Za uređaje za pohranu podataka mora biti kopiran MP3 glazbenih datoteka. Ovaj uređaj podržava memorije do 32 GB.

1. Pritisnite MODE ili M za prebacivanje na reprodukciju s USB memorije ili microSD kartice. Uređaj automatski prepoznaje glazbene počne reproducirati i ukupan broj datoteka prikazana.
2. Kratko pritisnite prethodni ili sljedeći zapis za odabir prethodne ili sljedeće pjesme; pritisnite i držite prethodni ili sljedeći zapis, na daljinskom upravljaču unatrag ili unaprijed.
3. Pritisnite broјčane tipke na daljinskom upravljaču za brzo odabir i reprodukciju pjesme s određenim brojem.
4. Kratko pritisnite tipku REPEAT na daljinskom upravljaču za odabir načina ponavljanja: jedan trag, sve pjesme ili dvoličnost. Pritisnite i držite 3 sekunde reproducirajte / pauza na prednjoj strani, dok se u isto operacije.
5. Ako želite ponoviti određeni dio pjesme, pritisnite i držite gumb za 3 sekunde više puta dok se ne pojavi simbol P-A na zaslonu za odabir početne točke; zatim pritisnite i držite tipku za 3 sekunde više puta dok se ne pojavi simbol P-b za odabir kraj. Uređaj će se ponoviti odabrani dio. Pritisnite i držite tipku više puta dok se ne prikaže simbol P-E na zaslonu; to će poništiti funkcija ponavljanja.
6. Tijekom MP3 reprodukcije kratko pritisnite gumb za EQ na daljinskom upravljaču za odabir ekvilajzera NORMAL/ROCK/POP/CLASS/JAZZ/BASS.

Napomene:

- a. Ne preporuča se koristiti USB produžni kabel, jer to utječe na kvalitetu audio signala i formiranje smetnji (buke).
- b. Uređaj će automatski pročitati datoteke tek nakon spajanja USB memorije ili microSD karticu je umetnuta.

Rukovanje AUX IN (spoj MP3)

Spojite jedan kraj isporučenog stereo 3,5 mm 3,5 mm na AUX IN stražnjoj ploči, a drugi kraj na vanjskom uređaju (npr. MP3 player). Radio način rada automatski mijenja u AUX IN.

Odaberite vanjski glazbeni player i početi igrati. Zvučnik svira.

Igrač spojen na AUX IN upravlja pomoću tipki. U AUX IN modu, možete koristiti za kontrolu glasnoće i reproducirajte / pauza.

Specifikacija:

Izvor napona: DC IN 5V / 600mA
3.7V / 1800mA (kapacitet baterije)

RMS Izlazna moć: 2 x 2,5 W RMS.

FM frekvencija: 87,5 ~ 108,0 MHz.

Nazivni podatki USB: 150 mA.

Potrošnja snage: 9,5 W

Potrošnja snage u stanju pripremljenosti: <0,5 W

Tvorničke postavke:

Sistemska vrijeme: 00:00

Format vremena: 24 sata.

Vrijeme mirovanja: isključeno

Vrijeme trajanja alarma: 5 minuta

Glasnoća: 15

(Specifikacija može se mijenjati bez prethodne obavijesti)

Rješavanje problema

1. Ne uključite zaslon.

- a. Provjerite je li ispravno spojeno DC napajanje.
- b. Pritisnite i držite tipku 3 sekunde da biste uključili uređaj.
- c. Ako se problem nastavi, obratite se lokalnom servisu.

2. Niste zadovoljni kvalitetom zvuka za radio stanice.

- a. Za bolji prijem, uređaj bi trebao biti postavljen u blizini prozora.
- b. Preključite se na drugu stanicu.
- c. Ako se problem nastavi, obratite se lokalnom servisu.

3. Ne zadovoljavajuća kvaliteta zvuka prilikom reprodukcije s USB nosilca ili SD kartice.

- a. Provjerite je li USB memorija ili microSD kartica dobro spojena / umetnuta.
- b. Ako se problem nastavi, isključite i ponovno uključite napajanje uređaja.
- c. Ako se problem nastavi, obratite se lokalnom servisu.

INSTRUCȚIUNI IMPORTANTE REFERITOARE LA SIGURANȚĂ



AVERTISMENT



PERICOL DE ELECTROCUTARE
NU DESCHIDEȚI

Instrucțiuni importante referitoare la siguranță

Avvertisment:

Pentru a diminua riscul de electrocutare, nu demontați capacul sau partea din spate a dispozitivului. În interiorul dispozitivului nu există elemente care să poată fi reparate de utilizator. De mentenanța și reparația echipamentului se ocupă exclusiv angajații calificați ai service-ului.

Explicarea simbolurilor grafice:



Simbolul fulgerului terminat cu o săgeată, plasat într-un triunghi echilateral, avertizează utilizatorul împotriva unei „tensiuni periculoase” neizolate în carcasa dispozitivului, care poate atinge dimensiunea pericolului de electrocutare.



Semnul exclamării într-un triunghi echilateral avertizează utilizatorul că în acest moment sunt prezentate informații importante referitoare la operarea și mentenanța echipamentului în documentația anexată la dispozitiv.

Rugăm să citiți aceste instrucțiuni înainte de a trece la operarea dispozitivului, să vă familiarizați cu funcțiile acestuia și să le folosiți conform destinației. Acest lucru va asigura o operare de lungă durată și fără avarii a dispozitivului, precum și plăcerea de a-l utiliza.

Informații importante

- Instrucțiunile de operare și informațiile referitoare la siguranță trebuie păstrate în scopul folosirii lor în viitor.
- Nu permiteți ca pe dispozitiv să picure sau să se verse vreun lichid.
- Nu îl folosiți în locuri umede, cum ar fi de ex. sala de baie.
- Dispozitivul nu poate fi montat în următoarele locuri:
- Expus la lumina directă a soarelui sau în apropierea caloriferelor.
- Plasat deasupra unui alt dispozitiv stereofonic care emite căldură.
- Blocând ventilația sau într-un loc prăfuit.
- În locuri expuse la vibrații constante.
- În locuri cu umiditate ridicată.
- Nu așezați dispozitivul în apropierea lumânărilor sau a focului deschis.
- Dispozitivul poate fi folosit exclusiv în modul descris în instrucțiunile de mai jos.
- Înainte de prima pornire, asigurați-vă că sursa de alimentare este conectată în mod corespunzător.
- Stick-urile USB se conectează direct sau folosind un prelungitor USB cu lungime de până la 25 cm.

Din motive de securitate, nu demontați carcasa și nu încercați să accesați interiorul dispozitivului. Dispozitivul trebuie reparat de personalul calificat din service.

Nu demontați și nu deschideți carcasa, deoarece în interior nu există elemente ce ar putea fi reparate de utilizator. De mentenanța și repararea echipamentului se ocupă exclusiv angajații calificați ai service-ului.

INSTRUCȚIUNI REFERITOARE LA SIGURANȚĂ

1. Citiți instrucțiunile – înainte de utilizarea dispozitivului, citiți în întregime instrucțiunile de utilizare, precum și informațiile referitoare la siguranță.

2. Urmați instrucțiunile – păstrați instrucțiunile de utilizare și operare în scopul folosirii lor în viitor.

3. Respectați avertismentele – procedați conform tuturor avertismentelor plasate pe dispozitiv, precum și conform instrucțiunilor de utilizare.

4. Urmați instrucțiunile – procedați conform instrucțiunilor de operare și indicațiilor pentru utilizator.

5. Instalare – setați dispozitivul conform instrucțiunilor producătorului.

6. Surse de alimentare – dispozitivul trebuie alimentat exclusiv de la surse cu parametrii indicați în marcasele de pe cablul de alimentare. Dacă utilizatorul nu este sigur de tipul de alimentare de care dispune acasă, trebuie să contacteze vânzătorul dispozitivului sau furnizorul local de energie electrică.

7. Împământarea sau polarizarea alimentării – dispozitivul nu trebuie să fie împământat. Trebuie să vă asigurați că ștecherul este introdus complet în priză sau în prelungitor pentru a nu permite expunerea bolțurilor sau a contactelor. Unele versiuni ale dispozitivului pot fi echipate cu ștecher polarizat de curent alternativ (cu un singur bolț mai larg). Acest ștecher poate fi introdus în priza de rețea doar într-un singur mod. Aceasta este o funcție de protecție. Dacă ștecherul nu poate fi introdus în priză, trebuie încercată rotirea acestuia. Dacă ștecherul în continuare nu se potrivește la priză, trebuie solicitată înlocuirea acestui ștecher de către un electrician. Nu scoateți elementele de protecție din ștecherul polarizat. Când utilizați un prelungitor sau un cablu de alimentare altul decât cel furnizat împreună cu dispozitivul, acestea trebuie să aibă ștecherule corespunzătoare, precum și atestatul de securitate necesar în țara dată.

8. Protecția cablului de alimentare – cablurile de alimentare trebuie plasate astfel încât să nu poată fi călcate, presate sau tăiate de obiectele din jur. Acordați o atenție deosebită ștecherelor, prizelor de rețea și locurilor în care cablurile sunt direcționate de la dispozitiv.

9. Supraîncărcare – Nu supraîncărcați prizele de perete, prelungitoarele și repartitoarele electrice, deoarece acest lucru poate provoca incendii sau electrocutări.

10. Ventilație – dispozitivul trebuie să fie corect ventilat. Dispozitivul nu poate fi pus pe pat, sofa sau suprafețe similare. Nu acoperiți dispozitivul cu fețe de masă, șervețele, ziare, ș.a..

11. Căldură – nu plasați dispozitivul în apropierea unor surse de căldură, precum calorifere, radiatoare, sobe sau alte dispozitive (de asemenea amplificatoare) care generează căldură. Nu puneți pe dispozitiv lumânări aprinse și alte surse de foc deschis.

12. Apă și umezeală – pentru a reduce riscul de incendiu sau electrocutare, nu expuneți dispozitivul la ploaie, apă și umiditate directă, ca de ex. în saună sau baie. Nu folosiți dispozitivul în apropierea apei, de exemplu lângă cadă, lavoar, chiuveta de bucătărie, într-o pivniță umedă sau în apropierea unei piscine (sau în locuri similare).

13. Obiecte și lichide în dispozitiv – nu trebuie forțate niciun fel de obiecte prin deschiderile dispozitivului, deoarece acestea pot să intre în contact cu punctele de tensiune periculoasă și cu componentele, ceea ce poate provoca incendiu sau electrocutare. În niciun caz nu vărsați niciun fel de lichide pe suprafața dispozitivului. Nu puneți pe suprafața dispozitivului obiecte ce conțin lichide.

14. Curățarea – scoateți întotdeauna dispozitivul din priză înainte de curățare. Praful din jurul difuzorului poate fi îndepărtat cu o cârpă uscată. Dacă se utilizează un aerosol pentru curățare, nu îndreptați jetul de pulverizare direct spre dispozitiv, ci spre cârpă. Aveți grijă să nu deteriorați unitățile de comandă.

15. Echipare suplimentară – nu folosiți accesorii care nu sunt aprobate de producător, deoarece pot constitui un pericol.

16. Accesorii – nu așezați dispozitivul pe un cărucior, postament, stativ, suport sau masă instabile. Dispozitivul se poate răsturna sau deteriora și poate provoca vătămări grave copiilor sau persoanelor adulte. Folosiți numai cărucioare, postamente, stativ, suporturi și mese specificate de producător sau vândute împreună cu dispozitivul. Montarea dispozitivului trebuie efectuată în conformitate cu instrucțiunile producătorului, folosind setul de montaj recomandat de producător.

17. Mutarea dispozitivului – dispozitivul plasat pe cărucior trebuie deplasat cu multă grijă. Oprirea bruscă, forța prea mare sau suprafețele neuniforme pot provoca răsturnarea căruciorului împreună cu dispozitivul.

18. Perioada de nefolosire a dispozitivului – cablul de alimentare al dispozitivului trebuie deconectat de la priza de rețea în timpul furtunilor cu descărcări atmosferice sau când dispozitivul nu va fi folosit pentru o perioadă mai lungă de timp.

19. Servisare – nu încercați să serviți singur dispozitivul. Deschiderea capacului poate duce la contactul cu o tensiune periculoasă și poate expune utilizatorul la alte pericole. De mentenanța și repararea echipamentului se ocupă exclusiv angajații calificați ai service-ului.

20. Când dispozitivul nu este utilizat, ștecherul de alimentare trebuie deconectat de la priza de rețea. Când dispozitivul este conectat la sursa de alimentare, se află în regim de stand by și nu este complet închis.

21. Piese de schimb – la înlocuirea pieselor, trebuie verificat dacă angajatul service-ului a folosit piesele de schimb recomandate de producător sau dacă aceste piese sunt identice cu cele originale. Înlocuirea cu piese neaprobate poate duce la incendii, electrocutare sau alte pericole.

22. Siguranțele principale – pentru a proteja în mod continuu dispozitivul împotriva incendiului, trebuie folosite siguranțe de tip și parametri corecți. Parametrii siguranțelor în acest interval sunt marcați pe dispozitiv.

23. Nu măriți volumul când ascultați o parte dintr-un cântec înregistrată cu volum redus sau în cazul lipsei semnalului audio de început. În caz contrar se poate ajunge la deteriorarea difuzorului în momentul creșterii rapide a intensității semnalului.

24. Singurul mod de a deconecta complet dispozitivul de la sursa de alimentare este deconectarea cablului de alimentare din priza de alimentare sau din dispozitiv. Priza de rețea sau intrarea cablului de alimentare în dispozitiv trebuie să fie mereu accesibile în timpul utilizării produsului.

25. Dispozitivul trebuie amplasat în apropierea unei prize de perete sau a unui cablu prelungitor și astfel încât să fie mereu accesibil.

26. Temperatura maximă ambiantă pentru dispozitiv este de 35°C.

27. Instrucțiuni referitoare la descărcările electrostatice – dacă funcționarea dispozitivului este perturbată de descărcări electrostatice, acesta trebuie oprit și repornit sau mutat în alt loc.

28. Baterii

- a. Bateriile nu pot fi expuse la căldură excesivă, cum ar fi razele de soare, foc, ș.a.
- b. Când aruncați bateriile, acordați atenție aspectelor legate de protecția mediului.
- c. Avertisment referitor la folosirea bateriei: pentru a nu permite pierderea etanșeității bateriei, ceea ce poate provoca vătămări corporale sau deteriorare a dispozitivului:
 - În timpul introducerii bateriei, respectați polaritatea acesteia (+ și -).
 - Nu folosiți în același timp baterii diferite — vechi și noi, baterii standard și alcaline, ș.a.
 - Scoateți bateriile din dispozitiv, atunci când acesta nu este folosit pentru o perioadă mai lungă.

Remarcă referitoare la ERP2 (dispozitive legate de energie)

Prezentul dispozitiv cu ecoproiect îndeplinește cerințele etapei 2 din Regulamentul Comisiei (CE) nr 1275/2008 care introduce directiva 2009/125/CE referitoare la consumul de energie al dispozitivelor electronice de birou și de uz casnic, închise sau aflate în regim de stand by.

ATENȚIE

Dispozitivul nu trebuie folosit de persoanele (inclusiv copiii) cu capacități fizice, senzoriale sau mentale reduse, precum și de persoanele cu cunoștințe și experiență insuficiente, în cazul în care nu se află sub supravegherea unei persoane responsabile pentru siguranța lor și nu au fost instruite cum să folosească dispozitivul în condiții de siguranță. Prezența persoanelor adulte este necesară, dacă dispozitivul este folosit de copii; aceasta va permite o folosire în condiții de siguranță a dispozitivului.

1. Nu lăsați dispozitivul nesupravegheat în timpul funcționării! Dispozitivul trebuie închis când nu este folosit, chiar și pentru o perioadă scurtă de timp.
2. Dispozitivul nu poate fi folosit prin intermediul unui temporizator extern și nici cu ajutorul unui sistem separat cu comandă de la distanță.
3. Pentru evitarea pericolului în cazul deteriorării cablului de alimentare, înlocuirea trebuie efectuată de producător, de punctul autorizat de service sau de o altă persoană calificată în acest sens.
4. Înainte de a începe deservirea dispozitivului, trebuie verificat dacă tensiunea acestuia corespunde tensiunii din rețeaua locală de alimentare.
5. Nu acoperiți orificiile de ventilație ale dispozitivului cu ziare, fețe de masă, draperii, ș.a. Trebuie să vă asigurați că deasupra dispozitivului există cel puțin 20 cm de spațiu liber, iar pe fiecare parte a acestuia – cel puțin 5 cm.
6. Nu permiteți ca pe dispozitiv să picure sau să se verse vreun lichid, nu plasați pe acesta obiecte pline cu lichid, cum ar fi vasele.
7. Pentru a evita incendiile sau electrocutarea, dispozitivul trebuie protejat împotriva locurilor fierbinți, ploii, umezelii și prafului.
8. Nu așezați dispozitivul în apropierea oricărei surse de apă, de ex. robinete, căzi, mașini de spălat sau piscine. Dispozitivul trebuie plasat pe o suprafață dreaptă și stabilă.
9. Nu expuneți dispozitivul la câmpuri magnetice puternice.
10. Nu așezați dispozitivul direct pe amplificator sau amplituner.

11. Nu așezați dispozitivul într-un loc umed, deoarece umiditatea are efect dăunător asupra componentelor electrice.
12. După mutarea dispozitivului dintr-un loc rece către un loc cald sau un loc umed, se poate forma condens pe lentila din interiorul playerului. În această situație dispozitivul nu va funcționa corect. Lăsați dispozitivul să funcționeze aproximativ o oră pentru a permite evaporarea umidității.
13. Nu curățați dispozitivul cu solvenți chimici, deoarece aceștia pot distruge lacul carcasei. Dispozitivul se curăță cu o cârpă curată, uscată sau ușor umezită.
14. Când scoateți ștecherul din priză, trageți întotdeauna de ștecher, niciodată de cablul de alimentare.
15. Când dispozitivul pornit este folosit în apropierea televizorului care funcționează, acesta poate fi o sursă de interferență în imagine, sub forma de linii pe ecran. Aceasta depinde de benzile de unde ale transmisiei tv. Aceasta nu înseamnă o funcționare defectuoasă a dispozitivului sau televizorului. Dacă astfel de linii sunt vizibile, dispozitivul trebuie îndepărtat de televizor.
16. Ștecherul de rețea este folosit pentru deconectarea de la tensiunea de alimentare și trebuie să fie mereu accesibil.
17. Pentru a preveni eventuala pierdere de auz, nu ascultați muzică la volum ridicat pentru perioade lungi de timp.



ATENȚIE



Declarație

Prin prezenta Blaupunkt Competence Center 2N-Everpol Sp. z o.o. [SRL] declara că acest dispozitiv este în conformitate cu cerințele și alte dispoziții corespunzătoare ale directivei 2014/53 / UE. Declarația completă de conformitate poate fi obținută pe pagina www.blaupunkt.com în secția produsului.

Entitate responsabilă: 2N-Everpol Sp. Z o.o.

Puławska 403A, 02-801 Varșovia, Polonia

Telefon: +48 22 331 99 59, e-mail: info@everpol.pl



Produsul a fost realizat din materiale și componente de înaltă calitate, ce pot fi reciclate și reutilizate.



Dacă pe dispozitiv se află semnul coșului de gunoi tăiat, aceasta înseamnă că produsul se înscrie în dispozițiile directivei europene 2012/19/EU. Trebuie citite cerințele referitoare la sistemul local de colectare a deșeurilor electrice și electronice. Respectați reglementările locale. Nu aruncați acest produs împreună cu deșeurile menajere obișnuite. Eliminarea corectă a produsului vechi va preveni potențialele consecințe negative pentru mediu și sănătatea umană.



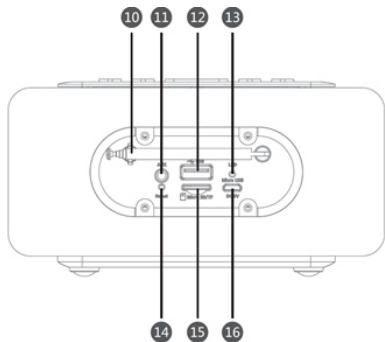
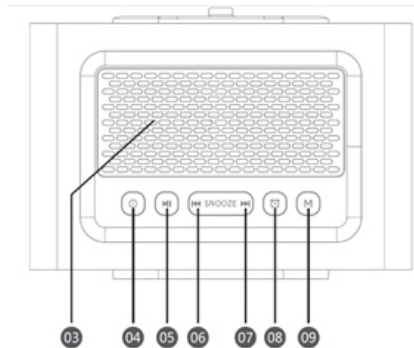
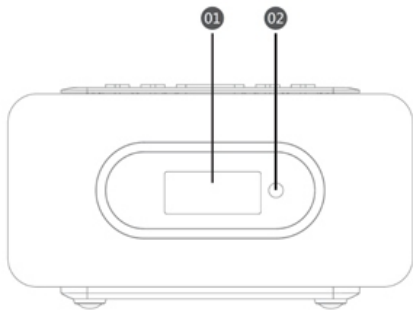
Dispozitivul este echipat cu baterii care fac obiectul directivei europene 2013/56/EU. Bateriile nu pot fi aruncate împreună cu deșeurile menajere. Consultați reglementările locale privind colectarea separată a bateriilor, deoarece eliminarea corectă va împiedica potențialele consecințe negative pentru mediul natural și sănătatea umană.

Informații privind protecția mediului înconjurător

Ambalajul conține doar elementele necesare. S-au făcut toate eforturile ca cele trei materiale componente ale ambalajului să fie ușor de separat: cutia de carton (cutia), spuma de polistiren (protecție interioară) și polietilena (pungi, folie protectoare). Dispozitivul a fost produs din materiale ce pot fi reciclate și reutilizate după demontarea lor de către o firmă specializată. Trebuie respectate reglementările locale referitoare la eliminarea materialelor de ambalare, bateriilor folosite și a echipamentelor inutile.

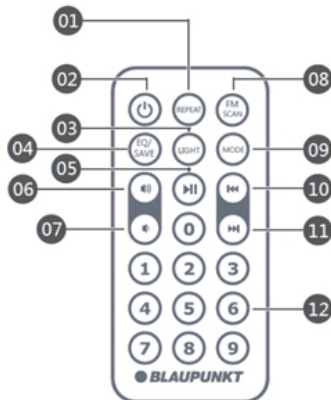
Înregistrarea și redarea materialelor poate necesita obținerea unei autorizații. Consultați legea referitoare la drepturile de autor și drepturile executanților / artiștilor.

Amplasarea elementelor de comandă



- | | |
|---|---|
| 01 – Ecran de afișare | 02 - Senzor telecomandă. |
| 03 - Difuzor | 04 - Buton alimentare |
| 05 – Buton Play / Pause (Redare / Pauză) permite redarea / oprirea și mod silențios. | |
| 06 – Buton „anterior”/ volum - butonul de selectarea pistei anterioare și reglarea volumului. | |
| 07 - Buton „următor”/ volum + butonul de selectarea pistei următoare și reglarea volumului. | |
| 08 - Buton ceas. | 09 - Butonul modului de redare USB / microSD / FM / AUX IN. |
| 10 - Antenă FM. | 11 - Mufă AUX IN. |
| 12 - Port USB. | 13 - Indicator alimentare LED. |
| 14 - Resetarea sistemului. | 15 – Slot pentru carduri MicroSD. |

Telecomanda



01— Tasta de repetare (repetă totul, la întâmplare, numai o dată).

02— Tasta de activare și dezactivare a alimentării.

03— Tasta LIGHT pentru reglarea iluminării.

04— Tasta EQ/SAVE de selectare a setărilor corectorului grafic funcționează numai în modul de redare de pe memoria USB/card microSD).

05— Tasta de redare/pauză.

06— Mărirea volumului.

07— Micșorarea volumului.

08— Tasta de scanare FM.

09— Tasta modului de funcționare pentru selectarea sursei de semnal.

10— Tasta melodiei precedente.

11— Tasta următoarei melodii.

12— Taste numerice (0–9).

Atenție!

a. Înainte de a utiliza telecomanda, asigurați-vă că ați instalat bateria Cr2025 cu polaritatea corectă.

b. Îndepărtați folia de izolație înainte de a utiliza telecomanda.

c. Aruncați bateriile uzate în recipiente adecvate. Informații privind reciclarea bateriilor pot fi obținute de la administrația locală.

d. Raza de acțiune a telecomenzii este de 5 metri (fără interferențe între dispozitive).

Îndreptați telecomanda către senzorul de pe panoul frontal.

Configurarea și activarea / dezactivarea dispozitivului

Alimentare DC: Conectați cablul USB furnizat la adaptorul de rețea și celălalt capăt al cablului USB la portul microUSB de pe panoul din spate al dispozitivului. Apoi conectați adaptorul de rețea la priză de perete. Când dispozitivul este conectat cu succes, dioda LED va lumina în roșu.

Încărcarea acumulatorului: aparatul va începe să se încarce imediat ce este conectat la sursa de curent continuu. Dioda LED de pe panoul din spate va lumina în verde când este complet încărcat. Puteți verifica starea de încărcare a bateriei datorită pictogramei bateriei din colțul din dreapta sus al displayului. Dispozitivul se va opri automat atunci când bateria este descărcată. În acest caz conectați din nou dispozitivul la sursa de încărcare. Activarea și dezactivarea dispozitivului: apăsați și țineți apăsat butonul de alimentare de pe panoul superior al unității timp de 2 secunde pentru a porni / opri aparatul. Apăsarea scurtă a butonului de alimentare de pe panoul de sus sau de pe telecomandă poate activa / dezactiva modul standby (afișarea ceasului, fără ieșirea audio). Când alimentarea este pornită, displayul va fi iluminat și apoi puteți realiza alte activități.

Note:

- Cablul USB furnizat are două fișe – una universală USB și microUSB. Fișa USB universală este utilizată pentru a conecta alimentatorul de rețea, iar fișa microUSB pentru a conecta alimentarea cu curent continuu la priză dispozitivului.
- Dispozitivul poate fi alimentat numai cu ajutorul alimentatorului furnizat împreună cu acesta sau cu ajutorul unui alimentator cu parametrii identici.
- După oprirea alimentării cu ajutorul butonului de alimentare de pe panoul superior, aparatul nu poate fi pornit cu ajutorul telecomenzii deoarece alimentarea este complet oprită. Apăsați din nou butonul de alimentare de pe panoul superior pentru a reporni aparatul.
- În timpul încărcării, dispozitivul poate reda sunet. În cazul unui singur ciclu complet de încărcare se recomandă oprirea completă a dispozitivului.

Reglarea luminii de fundal a afișajului (dimmer)

Apăsați butonul "LIGHT" de pe telecomandă pentru a regla luminozitatea luminii de fundal a afișajului între nivelul ridicat / mediu și nivel scăzut..

Reglarea volumului:

Apăsați și țineți apăsat butonul anterior sau următor de pe panoul superior pentru a mări sau micșora volumul la o viteză mare; apăsarea rapidă a butonului anterior sau următor, imediat după reglarea volumului la o viteză mare, vă permite o reglare treptată; lăsați butoanele anterior sau următor timp de 3 secunde, fără operațiuni suplimentare, pentru a reveni la utilizarea lor în modul de selecție a ultimei melodii sau următoarea.

Setarea timpului

Ceasul: Porniți dispozitivul, apoi apăsați scurt butonul de alimentare pentru a intra în modul de setare a ceasului. Apăsând butonul "mod" de trei ori va activa setarea ceasului iar cifrele orei vor clipi pe display; apăsați și ținut apăsat butonul anterior sau următor, pentru a regla ora; apăsat butonul de ceas pentru a trece la setarea minutelor, sau, dacă este necesar, apăsați din nou butonul de ceas pentru a reveni la setarea orei; apăsați butonul anterior / următor pentru a regla minutele, apoi apăsați scurt butonul de alimentare pentru a finaliza setarea ceasului.

Alarma: Porniți dispozitivul, apoi apăsați scurt butonul de alimentare pentru a intra în setarea alarmei. Apăsați scurt butonul "mod" pentru a seta alarma 1 și pictograma de alarmă 1 (Clopotul cu numărul 1) se va aprinde; apăsați și ținut apăsat butonul anterior sau următor, pentru a regla ora; apăsați butonul de ceas pentru a trece la setarea minutelor, sau, dacă este necesar, apăsați din nou butonul de ceas pentru a reveni la setarea orei; apăsați butonul anterior / următor pentru a regla minutele; apăsați butonul de ceas pentru a comuta la sursa alarmei, apăsați butonul anterior / următor pentru a comuta sursa de alarmă între semnalele sonore / USB / MicroSD / radio; apăsați scurt butonul de redare / pauză și butonul de alimentare pentru a confirma și a ieși din setarea alarmei. Când setați alarma nr. 2, apăsați de două ori butonul "mode" pentru a porni programul de setare. În continuare procedura este aceeași ca pentru setarea alarmei nr. 1.

Sfaturi:

- a. Ceasul și alarma vor funcționa în cazul alimentării cu ajutorul acumulatorului sau cu ajutorul alimentării de la rețea. Pentru utilizarea pe termen lung, vă recomandăm să conectați dispozitivul la sistemul de alimentare de la rețea.
- b. Când alarma este activată, apăsați orice buton, cu excepția butonului anterior / următor, pentru a opri sunetul de alarmă. Alarma va fi activată din nou ziua următoare, la aceeași oră. Durata alarmei este de 5 minute și se oprește automat dacă nu este necesară funcționarea continuă.
- c. Când alarma este activată, apăsați scurt butonul de amânare pentru a intra în modul de amânare. Alarma va fi activată din nou după 5 minute. Apăsați orice buton pentru a dezactiva amânarea.
- d. O singură apăsare a butonului ceasului de pe panoul superior poate activa sau dezactiva alarma nr. 1; apăsând scurt acest buton de două ori, puteți activa sau dezactiva alarma nr. 2; Apăsarea lungă a acestuia poate activa sau dezactiva simultan alarma 1 și alarma 2.
- e. Dacă alegeți USB / MicroSD / radio ca sursă a alarmei, apăsați scurt butonul Play / Pause pentru a afișa ce piesă sau post de radio se va activa ca alarmă, rotiți apăsați scurt butonul anterior / următor pentru a schimba melodia sau postul de radio, apăsați butonul Play / Pause pentru a reveni la setările de alarmă.
- f. Dacă selectați redarea ca sursă de alarmă, aceasta înseamnă că dispozitivul va activa automat radio / USB / microSD la ora setată anterior. Apăsați scurt butonul de redare / pauză pentru a comuta între radio / USB / microSD radio. Dispozitivul va fi activat pentru 120 de minute și apoi se oprește automat.
- g. Asigurați-vă că driverele USB / microSD cu muzică sunt conectate corect, dacă alegeți USB / microSD ca o sursă de alarmă.
- h. De asemenea, alarma este disponibilă atunci când dispozitivul este oprit (displayul este dezactivat).

Funcția de repaus Sleep: Sleep: Când aparatul se află în modul de așteptare (afișajul indică ora), apăsarea scurtă a butonul de redare / pauză activează modul de repaus, apăsați scurt butonul anterior / următor, pentru a regla durata de repaus între 15/30/45/60/75/90/120de minute sau oprit, apăsați scurt butonul redare / pauză pentru a confirma alegere. În modul de redare sonor (radio / USB / microSD / Bluetooth / aux), sunetul se va opri automat după presetarea orei. După revenirea în modul de așteptare apăsați scurt butonul redare / pauză pentru a verifica timpul rămas al funcției de repaus.

Utilizarea radioului FM

Dispozitivul are o antenă pliabilă pentru ascultarea posturilor FM. Înainte de a începe ascultarea posturilor FM, scoateți complet antena și amplasați aparatul de recepție lângă fereastră pentru a obține o recepție mai bună a semnalului radio. Porniți alimentarea și apăsați butonul "mode" de pe panoul superior sau butonul MODE de pe telecomandă până la momentul când va fi afișat modul radio.

1. Reglarea automată și programarea posturilor: apăsați scurt butonul FM SCAN sau apăsați și țineți apăsat butonul de redare / pauză de pe telecomandă sau de pe panoul superior timp de 3 secunde pentru a începe scanarea și memorarea automată a posturilor de radio FM. Dispozitivul poate memora maximum 60 de stații.

2. Scanare automată: țineți apăsat butonul melodiei anterioare și următoare de pe telecomandă pentru a scana automat posturile disponibile în sus sau în jos pe bandă. Dispozitivul se va opri și va reda automat postul disponibil. Apăsați butonul SAVE de pe telecomandă, pentru a salva postul curent.

3. Programarea manuală a stațiilor: Folosind scanarea automată selectați postul de radio preferat și apoi apăsați butonul SAVE de pe telecomandă pentru a-l introduce în memorie. Apăsați scurt butonul "REPEAT" de pe telecomandă, apoi apăsați butonul de volum + sau - de pe telecomandă pentru a schimba frecvența radio cu 0,1 MHz, apăsați butonul "SAVE", pentru a salva manual postul curent; după 10 secunde fără nici o operație, butoanele de volum +/- vor relua controlul volumului.

4. Ștergerea automată a stațiilor programate cu semnal slab: în cazul în care, în timpul programării automate a posturilor de radio, dispozitivul va introduce în memorie programe cu semnal slab, acestea pot fi șterse. În acest scop apăsați butonul "0" de pe telecomandă în timpul redării postului. Postul va fi șters și un nou post programat va apărea în locul acestuia.

5. Configurarea postului: pentru a seta postul la o anumită frecvență puteți apăsa tastele numerice de pe telecomandă. Pentru a configura postul cu frecvența de 104,3 MHz, apăsați butoanele numerice 1-0-4-3 de pe telecomandă. Dispozitivul se va programa și va reda acest post.

6. Selectarea posturilor programate: apăsați scurt butonul melodiei anterioare sau a celei următoare de pe panoul frontal sau de pe telecomandă pentru a selecta postul programat; de asemenea, puteți selecta un post apăsând butoanele numerice de pe telecomandă. Pentru a asculta postul programat nr.12, apăsați butoanele numerice 1-2 de pe telecomandă; postul va fi redat.

Utilizarea funcției de redare de pe unitatea de memorie USB/card microSD

Înainte de a reda fișierele MP3, asigurați-vă că memoria USB este conectată la portul USB sau că cardul microSD este introdus în slotul din spatele dispozitivului. Fișierele cu muzică MP3 trebuie copiate pe dispozitivele de memorie. Acest dispozitiv acceptă memorie de până la 32 GB.

1. Apăsați butonul MODE sau M pentru a comuta la modul de redare USB sau microSD. Aparatul detectează automat muzica și începe redarea atunci când este afișat numărul total de fișiere.
2. Apăsați scurt tasta melodiei anterioare sau următoare pentru a selecta melodia anterioară sau următoare; Apăsați și țineți apăsat butonul de pe telecomandă melodiei anterioare sau următoare pentru a derula rapid înainte sau înapoi.
3. Apăsați butoanele numerice de pe telecomandă pentru a selecta rapid și a reda melodia cu numărul ales.
4. Apăsați scurt tasta REPEAT pe telecomandă pentru a selecta modul de repetare: o melodie, toate melodiile sau redarea la întâmplare. Apăsați și țineți apăsat tasta de redare / pauză de pe panoul frontal timp de 3 secunde până la momentul când va fi realizată aceeași operație.
5. Dacă doriți să repetați redarea unei părți dintr-o melodie, apăsați și țineți apăsată tasta REPEAT timp de 3 secunde până la momentul când simbolul P-A va apărea pe display pentru a selecta începutul părții; Apoi apăsați și țineți apăsat butonul REPEAT timp de 3 secunde până la momentul când simbolul P-b va fi afișat pentru a selecta sfârșitul. Dispozitivul va repeta partea selectată. Apăsați și țineți apăsat butonul REPEAT până la momentul când simbolul P-E va fi afișat pe ecran; Aceasta va anula funcția de repetare.
6. În timpul redării fișierelor MP3, apăsați scurt butonul EQ de pe telecomandă pentru a selecta setarea egalizatorului: NORMAL / ROCK / POP / CLASS / JAZZ / BASS.

Note:

- a. Nu se recomandă utilizarea cablului prelungitor USB, deoarece acest lucru afectează calitatea semnalului audio și provoacă apariția interferențelor (zgomote).
- b. Dispozitivul va citi automat fișierele numai după conectarea memoriei USB sau introducerea cardului microSD.

Utilizarea intrării AUX IN (conectare Mp3)

Conectați un capăt al cablului stereo furnizat de 3,5 mm-3,5 mm la mufa AUX IN de pe panoul din spate al dispozitivului și celălalt capăt la playerul extern (de ex., MP3 player). Modul de funcționare a radioului se schimbă automat în AUX IN. Selectați muzica de pe playerul extern și începeți redarea. Difuzorul va reda muzica. Playerul conectat la intrarea AUX IN este acționat cu butoanele sale. În modul AUX IN, puteți utiliza butoanele de comandă a volumului și de redare / pauză.

Specificație:

Sursă de alimentare: DC IN 5V / 600mA

3.7V / 1800mA (capacitatea bateriei)

RMS Puterea de ieșire: 2 x 2,5 W RMS.

Frecvența FM: 87,5 ~ 108,0 MHz.

Date nominale USB: 150 mA.

Consumul de energie: 9,5 W

Consumul de energie în modul de așteptare: <0,5 W

Setări din fabrică:

Orar în sistem: 00:00

Formatul orarului: 24 de ore.

Durata repaus: Oprit

Durata alarmă: 5 minute

Volumul: 15

(Specificația poate fi modificată fără notificare anterioară)

Soluționarea problemelor

1. Displayul nu poate fi activat.

a. Verificați dacă alimentarea DC este conectată corect.

b. Țineți apăsat butonul de alimentare timp de 3 secunde pentru a activa dispozitivul.

c. Dacă problema persistă, contactați service-ul local.

2. Calitate necorespunzătoare a sunetului radio.

a. Pentru o recepție optimă, așezați dispozitivul lângă fereastră.

b. Căutați un alt post de radio.

c. Dacă problema persistă, contactați service-ului local.

3. Calitate nesatisfăcătoare a sunetului atunci când se redă din memoria USB sau cardul microSD.

a. Asigurați-vă că memoria USB și cardul microSD sunt bine activate / introduse.

b. Dacă problema persistă, opriți aparatul și apoi porniți-l. c. Dacă problema persistă, contactați service-ul local.

ВАЖНИ ИНСТРУКЦИИ ЗА БЕЗОПАСНОСТ



ВНИМАНИЕ



ОПАСНОСТ ОТ ТОКОВ
УДАР НЕ ОТВАРЯЙ

Важни инструкции за безопасност

Внимание:

За да се намали рискът от токов удар, не се разрешава демонтиране на капака, дори и на задната част на устройството. В самото устройство няма елементи, предназначени за самостоятелно ремонтване от потребителите. С обслужване и ремонтване на оборудването се занимават единствено квалифицирани служители на сервиза.

Обяснение на графичните символи:



Светкавица, завършваща със стрелка, в равностранен триъгълник предупреждава потребителя за неизолирано, „опасно“ напрежение около устройството, което напрежение може да има размери, заплашващи с токов удар.



Удивителният знак в равностранен триъгълник предупреждава потребителя, че в този момент в документацията, прикачена към устройството, се предоставя важна информация за обслужването и запазването на оборудването. Моля, прочетете тази инструкция, преди да пристъпите към обслужване на устройството, за да се запознаете с неговите функции и да го използвате съгласно неговото предназначение. Това ще Ви осигури дълготрайно, безаварийно обслужване на устройството и удоволствие от използването му.

Важна информация

- Запазете инструкцията за ползване, както и информацията за безопасност, с цел използване в бъдеще.
- Да не се допуска прокапване или протичане на течност върху устройството.
- Също да не се използва на влажни места като например в баня.
- Да не се инсталира това устройство на следните места:
- Изложени на непосредствено действие на слънчеви лъчи или близо до радиатори.
- Да не се поставя на повърхността на друго стереофонично оборудване, което отделя топлина.
- Ако ще блокира вентилация или в прашно помещение.
- На места, изложени на постоянна вибрация.
- На места с висока влажност.
- Да не се поставя устройството близо до свещи или открит огън.
- Устройството може да се използва единствено по начина, описан в настоящата инструкция.
- Преди първото включване на захранването трябва да се уверите, че зарядното устройство е включено правилно.
- USB паметта се свързва непосредствено или с помощта на USB кабел с дължина до 25 см.

От съображения за сигурност да не се демонтират конструкциите, както и да не се осигурява достъп до вътрешността на устройството. Забранено е отвъртането на устройството, както и отварянето на неговата конструкция, тъй като вътре няма части, които биха могли да бъдат поправени от потребителя. С обслужването и поправката на оборудването се занимават единствено квалифицирани служители на сервиза.

ИНСТРУКЦИИ ЗА БЕЗОПАСНОСТ

- 1. Прочетете инструкцията** – преди употреба прочетете цялата инструкция за обслужване, както и информацията за безопасност.
- 2. Запазете инструкцията** – запазете инструкцията за употреба и обслужване с цел по-нататъшно използване.
- 3. Спазвайте предупрежденията** – постъпвайте съгласно с всички предупреждения, поместени на устройството и съгласно с инструкцията за употреба.
- 4. Спазвайте инструкциите** – постъпвайте съгласно инструкцията за употреба и насоките за потребителя.
- 5. Инсталация** - настройвайте устройството в съответствие с инструкциите на производителя.
- 6. Източници на хранване** - хранвайте устройството само от източници с параметри, посочени на хранващия кабел. Ако не сте сигурни каква енергия имате въкъси, трябва да се свържете с продавача на устройството или местния доставчик на електрическа енергия.
- 7. Заземяване или поляризация на хранването** – устройството не трябва да бъде заземявано. Уверете се, че щепселът е изцяло пъхнат в електрическата мрежа или удължителния кабел, за да не се откриват щифтовете или контактите. Някои версии на устройството могат да бъдат оборудвани с поляризиран адаптер за променлив ток (с по-широк щифт). Този щепсел може да бъде вкаран в гнездото само по един начин. Това е функция за обезопасяване. Ако не можете да поставите щепсела в гнездото, опитайте да го обърнете. Ако щепселът все още не се побира в гнездото, поискайте от електротехник да го смени. Не изваждайте предпазителите от поляризирания щепсел. Ако използвате удължителен кабел или хранващ кабел, различен от тези, предоставени с устройството, той трябва да има съответните щепсели и одобрения за безопасност, изисквани в дадената страна.
- 8. Обезопасяване на хранващия кабел** - Хранващите кабели трябва да бъдат насочвани така, че да не може да се стъпва по тях, да не бъдат притискани или прерязани от поставени върху тях предмети. Обърнете специално внимание на щепселите, контактите и мястото, където кабелите се извеждат от устройството.
- 9. Претоварване** - Не претоварвайте стенните контакти, удължителите и електро-разпределителите, тъй като това може да доведе до пожар или токов удар.
- 10. Вентилация** - устройството трябва да бъде охлаждадено правилно. Не поставяйте устройството на легло, диван или подобни повърхности. Не покривайте уреда с покривки, салфетки, вестници и др.
- 11. Топлина** - не поставяйте устройството в близост до източници на топлина като радиатори, лъчеви нагреватели, печки или други уреди (включително топлинни генератори), които произвеждат топлина. Не поставяйте запалени свещи или друг открит огън върху устройството.

12. Вода и влага - За да намалите риска от пожар или токов удар, не излагайте устройството на пряк дъжд, вода или влага, например в сауната или в банята. Не използвайте това устройство близо до вода като вана, мивка, кухненска мивка или вана, в мокро помещение или в близост до плувен басейн (или на подобни места).

13. Предмети и течности в устройството - не вкарвайте предмети през отворите на устройството, тъй като могат да влязат в контакт с опасни точки и компоненти на напрежение, което може да доведе до пожар или токов удар. При никакви обстоятелства не трябва да разливате течности по повърхността на устройството. Не поставяйте върху устройството предмети, съдържащи течности.

14. Почистяване - Преди почистване винаги изключвайте устройството от контакта. Прахът около високоговорителя може да премахнете с помощта на суха кърпа. Ако за почистването ще използвате аерозол, не насочвайте пръскачката директно към устройството, а към кърпата. Внимавайте да не повредите задвижващите устройства.

15. Допълнително оборудване - Не използвайте аксесоари, които не са одобрени от производителя, тъй като те могат да представляват риск.

16. Аксесоари - Не поставяйте устройството върху нестабилна количка, стойка, статив, конзола или маса. Устройството може да се преобърне и повреди, както и може да причини сериозни наранявания у деца или възрастни. Използвайте само колички, стойки, стативи, конзоли и маси, определени от производителя или продавани заедно с устройството. Сглобете уреда съгласно инструкциите на производителя, като използвате монтажния комплект, препоръчан от производителя.

17. Преместване на устройството - устройството, поставено на количката, трябва да се премества много внимателно. Внезапно спиране, твърде голяма сила или неравна повърхност може да доведе до преобръщане на количката заедно с устройството.

18. Период на използване на устройството - Изключете захранващия кабел от контакта по време на гръмотевични бури, или когато не използвате уреда за по-дълъг период от време.

19. Обслужване - не се опитвайте самостоятелно да правите преглед на устройството. Отварянето на капака може да доведе до опасно напрежение и да изложи потребителя на други опасности. С консервация и ремонтниране на оборудването се занимават единствено квалифицирани служители на сервиза.

20. Когато устройството не е в употреба, извадете захранващия кабел от контакта. Когато устройството е свързано към източник на захранване, то е в режим на готовност и не е напълно изключено.

21. Резервни части - при подмяна на части се уверете, че техникът е използвал препоръчаните от производителя резервни части или също, че частите са идентични с оригиналните. Подмяната с неодобрени части може да доведе до пожар, токов удар или други опасности.

22. Главни предпазители - за да предпазите устройството за постоянно от пожар, използвайте предпазители от съответния тип и параметри. Параметрите на предпазителите в даден обхват на напрежение са обозначени на устройството.

23. Не увеличавайте силата на звука, когато слушате част от песен с ниска сила на звука или при липсата на входен аудио сигнал. В противен случай при бързото увеличаване на силата на сигнала може да се стигне до повреда на високоговорителя.

24. Единственият начин за напълно изключване на устройството от източника на захранване е да изключите захранващия кабел от контакта или от устройството. Винаги, когато използвате устройството, трябва да има достъпен захранващ контакт или захранващ кабел.

25. Устройството трябва да се постави близо до контакт или удължителен кабел и така, че да е винаги достъпно.

26. Максималната температура на околната среда на устройството е 35 °C.

27. Инструкции за електростатично разреждане - ако работата на устройството е прекъсната от електростатичен разряд, изключете уреда и повторно включете устройството или го преместете на друго място.

28. Батерия

a. Не излагайте батериите на прекомерна топлина като например слънчеви лъчи, огън и др.

b. Когато използвате батериите, обърнете внимание на изискванията за опазване на околната среда.

v. Предупреждение за използване на батерията: За да не се стигне до изтичане на батерията, което може да доведе до нараняване или повреда на устройството:

1, При поставяне на батерията, обърнете внимание на нейните полюси (+ и -).

2, Не използвайте едновременно различни батерии - стари и нови, стандартни и алкални и др.

3, Извадете батериите от устройството, ако няма да го използвате за по-дълъг период от време.

Забележка относно ERP2 (на устройства, свързани с енергопотребление)

Настоящото устройство с екопроект отговаря на изискванията на етап 2 от Регламента на Комисията (ЕО) № 1275/2008 за прилагане на Директива 2009/125 / ЕО относно консумацията на енергия от електроуреди за офиса и дома.

ВНИМАНИЕ

Устройството не трябва да се използва от хора (включително деца) с намалени физически, сензорни или психически способности и лица с недостатъчни познания и опит, освен ако не са под наблюдението на лице, отговорно за тяхната безопасност и не са инструктирани как безопасно да използват устройството. Необходимо е присъствие на възрастни, ако устройството се използва от деца; това ще осигури безопасно използване на устройството.

1. Не оставяйте устройството без надзор! Изключвайте устройството, когато не го използвате, дори и за кратко време.

2. Не включвайте устройството чрез външен часовник, нито чрез отделна система за дистанционно управление.

3. За да избегнете опасност при повреда на захранващия кабел, подмяната трябва да се извърши от производителя, от упълномощен сервизен център или от друго квалифицирано лице.

4. Преди да използвате уреда се уверете, че напрежението му съответства на напрежението на местното захранване.

5. Не покривайте вентилационните изходи, например с вестници, покривки, завеси и др. Уверете се, че над устройството има най-малко 20 см свободно пространство и от всяка страна на уреда - най-малко 5 см.

6. Не допускайте да капят или да се разливат течности или не поставяйте предмети, съдържащи течности като например вази.
7. За да избегнете пожар или токов удар, предпазвайте устройството от горещи места, дъжд, влага и прах.
8. Не поставяйте устройството близо до водоизточници като кранове, вани, перални машини или плавни басейни. Поставете устройството на равна и стабилна повърхност.
9. Не излагайте устройството на силни магнитни полета.
10. Не поставяйте устройството директно върху усилвателя или приемника.
11. Не поставяйте устройството на влажно място, тъй като влагата има вреден ефект върху електрическите компоненти.
12. При внасяне на устройството от студено на топло или на влажно място, може да се образува конденз върху обектива вътре в плейъра. В този случай устройството няма да работи правилно. Оставете включения уред в продължение на около един час, за да може влагата да се изпари.
13. Не почиствайте устройството с химически разтворители, тъй като те могат да повредят лаковото покритие на конструкцията. Избършете устройството с чиста, суха или леко влажна кърпа.
14. Когато изваждате щепсела от контакта, винаги издърпвайте щепсела, а не захранващия кабел.
15. Когато устройството е включено в близост до телевизор, то може да е източник на смущения под формата на линии на екрана. Това зависи от дължината на телевизионната вълна. Не означава неизправност на устройството или телевизора. Ако видите такива линии, преместете устройството далеч от телевизора.
16. Захранващият щепсел се използва за изключване на захранващото напрежение и трябва да е винаги на разположение.
17. За да предотвратите евентуална загуба на слух, не слушайте силна музика в продължение на дълги периоди от време.



ATENȚIE



Declarație

Prin prezenta Blaupunkt Competence Center 2N-Everpol Sp. z o.o. [SRL] declara că acest dispozitiv este în conformitate cu cerințele și alte dispoziții corespunzătoare ale directivei 2014/53 / UE. Declarația completă de conformitate poate fi obținută pe pagina www.blaupunkt.com în secția produsului.
Entitate responsabilă: 2N-Everpol Sp. Z o.o.

Puławska 403A, 02-801 Varşovia, Polonia

Telefon: +48 22 331 99 59, e-mail: info@everpol.pl



Продуктът е произведен от висококачествени материали и компоненти, които могат да бъдат рециклирани и повторно използвани.



Ако на устройството има знак със задраскано кошче за отпадъци, това означава, че продуктът е обхванат от Европейската директива 2012/19 / ЕС. Запознайте се с изискванията на местната система за събиране на електрически и електронни отпадъци. Следвайте местните разпоредби. Не изхвърляйте този продукт заедно с обикновените битови отпадъци. Правилното изхвърляне на стария продукт ще предотврати потенциални негативни последици за околната среда и човешкото здраве.



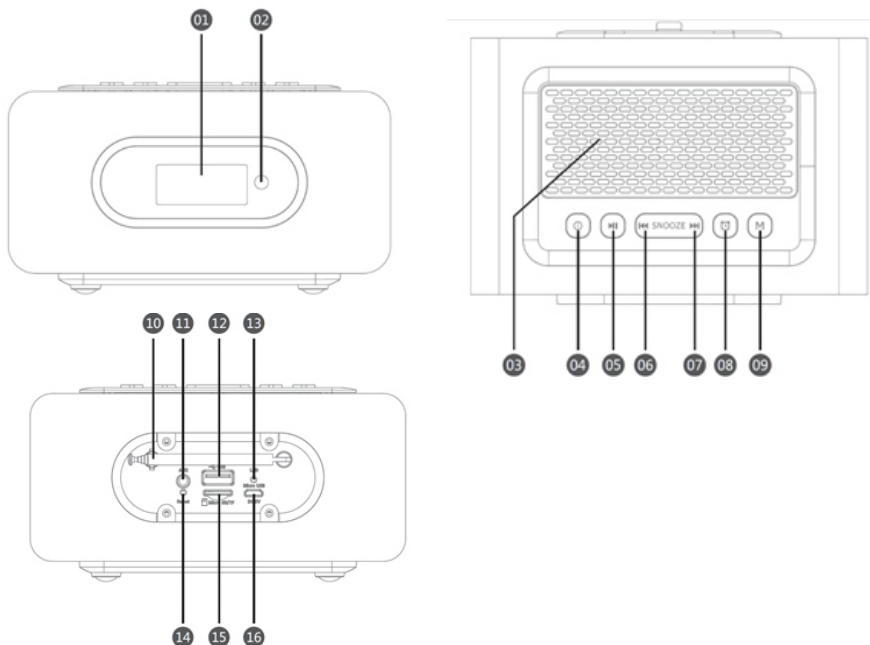
Устройството е оборудвано с батерии, които са част от европейска директива 2013/56/ЕС. Не изхвърляйте батериите заедно с битови отпадъци. Запознайте се с изискванията на местната система за събиране на батерии, тъй като правилната употреба на стария продукт ще предотврати потенциални негативни последици за околната среда и човешкото здраве.

Информация за опазване на околната среда

Пакетът съдържа само необходимите елементи. Положени са всички усилия, за да се гарантира, че трите компонента на опаковката са лесни за разделяне: картонена кутия, полистиролова пяна (вътрешна защита) и полиетилен (торбички, защитен лист). Устройството е изработено от материали, които могат да бъдат рециклирани и повторно използвани, след като се демонтират от специализирана фирма. Спазвайте местните разпоредби за изхвърляне на опаковъчни материали, отпадъчни батерии и ненужно оборудване.

Записването и възпроизвеждането на материали може да изисква съгласие. Вижте Закона за авторските права и правата на изпълнителите/ артистите.

Разположение на елементите за управление



01 - Дисплей.

02 - Датчик за дистанционно управление.

03 - Високоговорител.

04 - Бутон на захранването.

05 - Бутон Play / Pause (Възпроизвеждане / Пауза) позволяващ възпроизвеждане / спиране и изключване на звука.

06 – Бутон предишно музикално произведение/ сила на звука - бутон за избор на предишно музикално произведение и за регулиране на силата на звука.

07 – Бутон следващо музикално произведение/ сила на звука + бутон за избор на следващо музикално произведение и за регулиране на силата на звука.

08 - Бутон на часовника.

09 - Бутон за режим на възпроизвеждане USB / micro SD / FM / AUX IN.

10 - Антена FM.

11 - Гнездо AUX IN.

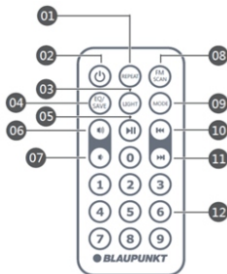
12 - USB порт.

13 - LED индикатор на захранването.

14 - Ресетване на системата. 15 – Слот за карти microSD.

16 - Гнездо за захранване DC5V.

Дистанционно управление



- 01— Бутон за повтаряне (повтаряй всичко, повтаряй произволно, повтаряй веднъж).
 02— Бутон за включване и изключване на захранването.
 03— Бутон LIGHT за регулиране на яркостта на подсветката.
 04— Бутон EQ/SAVE за избор на настройките на графичния коректор (действа само в режим възпроизвеждане от USB памет/карта microSD).
 05— Бутон за възпроизвеждане/пауза. 06— Увеличаване на силата на звука.
 07— Намаляване на силата на звука. 08— Бутон за сканиране FM.
 09— Бутон за режим на работа за избор на източника на сигнала.
 10— Бутон за предишно музикално произведение.
 11— Бутон за следващо музикално произведение. 12— Бутони с цифри (0–9).

Внимание!

- Преди да пристъпите към използване на дистанционното управление, трябва да се уверите, че в него е поставена батерия Cr2025 с правилно разположени полюси.
- Преди да използвате дистанционното управление, трябва да снемете изолационното фолио.
- Изтощените батерии трябва да се изхвърлят в предназначения за това контейнери. Информация за обезвреждането на батериите можете да получите при местните власти.
- Работният обсег на дистанционното управление е 5 метра (без препятствия между устройствата). Насочете дистанционното управление към датчика, намиращ се върху предния панел.

Конфигурация и включване/изключване на устройството

Захранване DC: Свържете доставения с устройството кабел USB към зарядното мрежово устройство, а втория край на кабела USB свържете към гнездото micro USB на захранването в задния панел на устройството. След това включете мрежовото захранващо устройство в мрежовия контакт. След успешно включване на устройството ще светне червеният LED диод.

Зареждане на акумулатора: устройството ще започне да се зарежда след включване към захранването с постоянен ток. При пълно зареждане LED диодът върху задния панел ще промени цвета си на зелен. Състоянието на зареждане на батерията може да се провери благодарение на иконата на батерията в горния десен ъгъл на дисплея. В случай на изтощаване на батерията устройството ще се изключи автоматично. В този случай трябва отново да свържете устройството за зареждане.

Включване и изключване на устройството: Натиснете и задръжте за 2 секунди бутона на захранването в горния панел на устройството, за да включите / изключите устройството. С краткотрайно натискане на бутона на захранването в горния панел или в дистанционното управление можете да включите / изключите режим standby (показване на часовника, без изхода за звук). След включване на захранването ще се включи подсветката на дисплея, след което можете да започнете други дейности.

Забележки:

- a. Доставеният USB кабел е оборудван с два конектора — универсален USB и microUSB. Универсалният конектор USB е предназначен за включване на мрежовото захранващо устройство, а конекторът micro USB - за свързване на захранване с постоянен ток към гнездото в устройството.
- b. Устройството може да бъде захранвано само с доставеното в комплекта захранващо устройство или със захранващо устройство със същите номинални параметри.
- c. След изключване на захранването от бутона на захранването в горния панел устройството не може да бъде включено от дистанционното управление, тъй като захранването ще бъде напълно изключено. Натиснете отново бутона на захранването върху горния панел, за да включите устройството отново.
- d. Устройството може да възпроизвежда звук по време на зареждане. В случай на еднократен пълен цикъл на зареждане се препоръчва напълно изключване на устройството.

Регулиране на подсветката на дисплея (димер)

Натиснете бутон "LIGHT" на дистанционното управление, за да регулирате яркостта на подсветката на дисплея в диапазон високо / средно и ниско ниво.

Регулиране на силата на звука:

Натиснете и задръжте бутон "предишно" или "следващо" върху горния панел, за да увеличите или намалите силата на звука с висока скорост; кратко натискане на бутон "предишно" или "следващо", направено веднага след регулирането с висока скорост, позволява постепенно регулиране на силата на звука; оставете бутоните "предишно" или "следващо" без натискане за 3 секунди, за да се върнат в режим избор на предишна или следваща песен.

Настройка на времето

Часовник: Включете устройството, след което натиснете краткотрайно бутона на захранването, за да преминете в режим настройка на часовника. Трикратно кратко натискане на бутон „mode“ ще включи настройка на часовника и цифрите на часа ще започнат да мигат върху дисплея; натиснете бутон предишно / следващо, за да настроите часа; натиснете бутона на часовника, за да преминете към настройката на минутите или при необходимост натиснете отново бутона на часовника, за да се върнете към настройка на часа; натиснете бутон предишно / следващо, за да настроите минутите след което натиснете за кратко бутона на захранването, за да завършите настройката на часовника.

Аларма: Включете устройството, след което натиснете за кратко бутона на захранването, за да влезете в настройки на алармата. С кратко натискане на бутон „mode“ ще започнат настройките на аларма 1, а иконата на аларма 1 (звънец с цифра 1) ще светне; натиснете бутон предишна / следваща, за да настроите часа; натиснете бутона на часовника, за да преминете към настройката на минутите или при необходимост натиснете отново бутона на часовника, за да се върнете към настройка на часа; натиснете бутон предишна / следваща, за да настроите минутите; натиснете бутона на часовника, за да преминете към избор на източника на алармата, натиснете бутон предишна / следваща, за да превключите източника на алармата между звукови сигнали / USB / micro SD / радио; натиснете за кратко бутона за възпроизвеждане / пауза и бутона за захранване, за да потвърдите и да завършите настройката на алармата.

В случай на настройка на аларма № 2 натиснете двукратно бутон „mode“, за да задействате програмата за настройките. По-нататъшната процедура е същата, както при аларма № 1.

Указания:

- Часовникът и алармата ще работят в случай на акумулаторно захранване или мрежово захранване. По време на по-продължително използване на устройството се препоръчва включване към мрежово захранване.
- алармата се активира, натиснете произволен бутон с изключение на бутон предишна / следваща, за да изключите звука на алармата. Алармата ще се включи отново на следващия ден по същото време. Времето на действие на алармата е 5 минути и след това се изключва автоматично в случай на липса на по-нататъшни команди.
- След активиране на алармата натиснете кратко бутон “дрямка”, за да преминете в режим дрямка. Алармата ще се включи отново след изтичане на 5 минути. ЗНатиснете произволен друг бутон, за да изключите дрямката.

- d. Краткотрайно, единично натискане на бутона на часовника върху горния панел може да включи или да изключи аларма № 1; краткотрайно двукратно натискане на този бутон може да включи или да изключи аларма № 2; дълготрайно натискане на бутона може едновременно да включи или да изключи аларма 1 и аларма 2.
- e. Ако изберете USB / microSD / радио като източник на алармата, трябва да натиснете за кратко бутон за възпроизвеждане / пауза, за да се покаже песента или радиостанцията, която ще се включи като аларма. натиснете за кратко бутон предишно / следващо,, за да смените песента или радиостанцията; натиснете бутон възпроизвеждане / пауза, за да се върнете към настройка на алармата.
- f. Когато за източник на алармата изберете възпроизвеждане, това означава, че устройството автоматично ще включи възпроизвеждане от радио / USB / microSD в предварително зададеното време. Кратко натискане на бутона за възпроизвеждане / пауза позволява превключване на източника на събуждане между радио / USB / microSD. Устройството ще се включи за 120 минути и автоматично ще се изключи.
- g. Ако изберете USB / microSD като източник на алармата, уверете се, че носителите на музикални файлове USB / microSD са правилно включени.
- h. Алармата е достъпна също така и когато устройството е изключено (изключен дисплей).

Функция заспиване Sleep: Sleep: Когато устройството е в режим готовност (върху дисплея се показва часа), кратко натискане на бутон play / pause активира настройката на режим заспиване, с кратко натискане на бутон предишна / следваща ще регулирате времето за активност на функцията заспиване за интервали 15/30/45/60/75/90/120 минути или режим изключен, с кратко натискане на бутон възпроизвеждане / пауза ще потвърдите избора. В режим възпроизвеждане на звук (радио / USB / microSD / Bluetooth / aux) звукът ще бъде изключен автоматично след изтичане на зададеното време. След връщане в режим готовност натиснете за кратко бутон възпроизвеждане / пауза, за да проверите останалото време на функция заспиване.

Обслужване на радио FM

Устройството е оборудвано с разгъваема радио антена FM. Преди да започнете да слушате радио FM, трябва да издърпате цялата антена и да поставите приемника близо до прозореца за по-добро приемане на радиосигнала. Включете захранването на устройството и натиснете бутон „mode“ върху горния панел или бутон MODE върху дистанционното управление, докато се появи режим радио.

1. Автоматична настройка и програмиране на радиостанции: натиснете за кратко бутон FM SCAN или натиснете и задръжте за 3 секунди бутона за възпроизвеждане/пауза на дистанционното управление или на горния панел, за да започнете автоматично сканиране и записване на радиостанциите FM. Устройството позволява записване максимално на 60 радиостанции.

2. Автоматично сканиране: натиснете и задръжете бутоните на предишното и следващото музикално произведение или дистанционното управление, за да сканирате автоматично станциите нагоре или надолу по честотната лента.

Устройството ще спре и автоматично ще включи достъпната радиостанция. Натиснете бутон SAVE върху дистанционното управление, за да запишете радиостанцията.

3. Ръчно програмиране на радиостанция: С помощта на автоматичното сканиране изберете любимата си радиостанция и след това натиснете бутон SAVE върху дистанционното управление, за да я въведете в паметта. Натиснете за кратко бутон "REPEAT" върху дистанционното управление, след което натиснете бутона за сила на звука + или - върху дистанционното управление, за да промените радиочестотата с 0,1 MHz, натиснете бутон "SAVE", за да можете ръчно да запишете текущата радиостанция; след изтичане на 10 секунди бездействие бутоните за регулиране на силата на звука volume +/- ще възстановят функцията си за регулиране силата на звука.

4. Изтриване на автоматично програмирани радиостанции със слаб сигнал: възможно е изтриване на станции със слаб сигнал, когато по време на автоматично програмиране на радиостанциите устройството ги въведе в паметта. За тази цел по време на възпроизвеждането на такава радиостанция трябва да натиснете продължително бутон „0” в дистанционното управление. Радиостанцията ще бъде изтрита и на нейно място ще се появи поредната програмирана радиостанция.

5. Включване на дадена радиостанция: за да настроите радиостанция с дадената честота, можете да натискате бутоните с цифри на дистанционното управление. За да настроите станция с честота 104,3 MHz, трябва да натиснете бутони 1-0-4-3 на дистанционното управление. Устройството ще се настрои и ще включи тази радиостанция.

6. Избиране на програмирани радиостанции: натиснете за кратко бутона за предишно или следващо произведение върху предния панел или в дистанционното управление, за да изберете програмираната радиостанция; можете също така да изберете станцията чрез натискане на бутоните с цифри от дистанционното управление. За да слушате програмираната радиостанция № 12, трябва да натиснете бутоните с цифри 1-2 на дистанционното управление; радиостанцията ще бъде включена.

Обслужване на възпроизвеждане от USB памет / карта microSD

Преди да пристъпите към възпроизвеждане на MP3, трябва да проверите, дали в USB порта е включена USB памет или, дали в слота отзад на устройството е поставена карта microSD. Музикалните файлове MP3 трябва да бъдат копирани в тези устройства. Това устройство обслужва памет с капацитет до 32 GB.

1. Натиснете бутон MODE или M, за да включите режим възпроизвеждане от USB памет или от карта microSD. Устройството автоматично ще открие музиката и ще започне възпроизвеждане след показването на общия брой файлове.
2. Натиснете за кратко бутона за предишно или следващо произведение, за да изберете предишната или следващата песен; натиснете и задръжте бутона за предишно или следващо произведение върху дистанционното управление, за да превъртите бързо песента назад или напред.
3. Натиснете бутоните с цифри върху дистанционното управление с цел бързо избиране и възпроизвеждане на песен с даден номер.
4. Натиснете кратко бутон REPEAT на дистанционното управление, за да изберете режим повторение: на една песен, на всички песни или произволно възпроизвеждане. Натиснете и задръжте за 3 секунди бутон play/pauza върху предния панел, докато изпълните същата операция.
5. Ако искате да повторите възпроизвеждането на даден фрагмент от песента, натиснете и задръжте за 3 секунди бутон REPEAT, докато върху дисплея се появи символ P-A, за да можете да изберете началото на фрагмента; след това натиснете и задръжте за 3 секунди бутон REPEAT, докато се появи символ P-b, за да изберете края на фрагмента. Устройството ще повтаря избрания фрагмент. Натиснете и задръжте бутон REPEAT, докато върху дисплея се появи символ P-E; това ще доведе до анулиране на функцията повтаряне.
6. По време на възпроизвеждането на файлове MP3 натиснете за кратко бутон EQ върху дистанционното управление, за да изберете настройка на графичния коректор: NORMAL/ROCK/POP/CLASS/JAZZ/BASS.

Забележки:

- a. Не се препоръчва използване на удължителен кабел USB, тъй като това може да окаже влияние върху аудио сигнала или да причини смущения.
- b. Устройството автоматично ще прочете файла само след поставяне на USB памет или след поставяне на карта microSD.

Обслужване на вход AUX IN (входове Mp3)

Свържете единия край на приложния стерео кабел 3,5 mm –3,5 mm към гнездото AUX IN отзад в панела на устройството, а втория край - към външен плейър (например MP3 плейър). Режимът на работа на радио плейъра ще се промени автоматично на AUX IN.

Изберете музика във външния плейър и започнете възпроизвеждане на музиката. Високоговорителят ще възпроизведе музиката.

Плейърът, свързан към вход AUX IN, се обслужва с помощта на неговите бутони. В режим AUX IN може да се използва въртящия бутон за регулиране на силата на звука и бутона възпроизвеждане/пауза.

Спецификация:

Източник на захранване: DC IN 5V / 600mA

3.7V / 1800mA (капацитет на батерията)

RMS Изходна мощност: 2 x 2,5 W RMS.

Честота FM: 87,5 ~ 108,0 MHz.

Номинални данни USB: 150 mA.

Консумация на мощност: 9,5 W

Консумация на мощност в режим готовност: < 0,5 W

Фабрични настройки:

Системно време: 00:00

Формат на времето: 24 часа.

Време на заспиване: изключено

Продължителност на алармата: 5 минути

Сила на звука: 15

(Спецификацията на устройството може да бъде променена без предизвестие)

Решаване на проблеми

1. исплеят не се включва.

a. Проверете, дали захранването с постоянен ток е правилно свързано.

b. Натиснете и задръжете за 3 секунди бутона на захранването, за да включите устройството.

c. Ако проблемът не бъде решен, моля, свържете се с местен сервиз.

2. Неудовлетворително качество на звука на радиостанцията.

a. За постигане на най-добро приемане на сигнала трябва да поставите устройството близо до прозореца.

b. Настройте друга радиостанция.

c. Ако проблемът не бъде решен, моля, свържете се с местен сервиз.

3. Неудовлетворително качество на звука по време на възпроизвеждане от USB памет или от карта microSD.

a. Уверете се, че USB паметта и картата microSD са правилно включени/поставени.

b. Ако проблемът се появява отново, изключете и включете отново захранването на радио плейъра.

c. Ако проблемът не бъде решен, моля, свържете се с местен сервиз.

ΣΗΜΑΝΤΙΚΕΣ ΠΛΗΡΟΦΟΡΙΕΣ ΣΧΕΤΙΚΑ ΜΕ ΤΗΝ ΑΣΦΑΛΕΙΑ



ΠΡΟΕΙΔΟΠΟΙΗΣΗ



ΚΙΝΔΥΝΟΣ ΗΛΕΚΤΡΟΠΛΗΞΙΑΣ
ΜΗΝ ΑΝΟΙΓΕΤΕ

Σημαντικές πληροφορίες σχετικά με την ασφάλεια

Προειδοποίηση:

Για να μειώσετε τον κίνδυνο ηλεκτροπληξίας, δεν επιτρέπεται να αποσυναρμολογήσετε το κάλυμμα ούτε το οπίσθιο μέρος της συσκευής. Μέσα στη συσκευή δεν υπάρχουν εξαρτήματα προορισμένα για επισκευή από τον χρήστη. Η συντήρηση και η επισκευή του εξοπλισμού εκτελείται αποκλειστικά από τους εξουσιοδοτημένους υπαλλήλους σέρβις.

Εξηγήσεις γραφικών συμβόλων



Το σύμβολο αστραπής με το βέλος στην άκρη της μέσα στο ισόπλευρο τρίγωνο προειδοποιεί τον χρήστη από μη μονωμένη, "επικίνδυνη ηλεκτρική τάση" στο περίβλημα της συσκευής που μπορεί να έχει την τιμή η οποία προκαλεί ηλεκτροπληξία.



Το σύμβολο θαυμαστικού στο ισόπλευρο τρίγωνο προειδοποιεί τον χρήστη ότι σε αυτό τον τόπο των τεκμηριώσεων που συνάπτεται στη συσκευή, παρουσιάζονται σημαντικές πληροφορίες σχετικά με τον χειρισμό και τη συντήρηση της συσκευής.

Παρακαλούμε να διαβάσετε αυτές τις οδηγίες χρήσης πριν αρχίσετε να χειρίζεστε τη συσκευή, για να γνωρίσετε τις λειτουργίες της και να τη χρησιμοποιήσετε σύμφωνα με τον προορισμό της. Έτσι διασφαλίζετε τον διαρκή χειρισμό της συσκευής χωρίς βλάβες και απόλαυση από τη χρήση της συσκευής.

Σημαντικές πληροφορίες

- Πρέπει να κρατήσετε τις οδηγίες χρήσης και τις πληροφορίες σχετικά με την ασφάλεια με σκοπό τη μελλοντική χρήση τους.
- Μην επιτρέψτε κανένα υγρό να στάξει ή να χυθεί στη συσκευή.
- Δεν επιτρέπεται να χρησιμοποιήσετε τη συσκευή σε μέρη με υγρασία όπως π.χ. μπάνιο.
- Δεν επιτρέπεται να εγκαταστήσετε αυτή τη συσκευή στα ακόλουθα μέρη:
- Μέρη εκτεθειμένα στην άμεση ακτινοβολία ή κοντά σε θερμάστρες.
- Μην τοποθετείτε πάνω στη συσκευή άλλο εξοπλισμό στερεό που εκπέμπει θερμότητα.
- Όπου μπλοκάρεται ο εξαερισμός ή σε μέρος με σκόνη.
- Σε μέρη εκτεθειμένα σε συνεχείς δονήσεις.
- Σε μέρη με μεγάλη υγρασία.
- Δεν επιτρέπεται να τοποθετήσετε τη συσκευή δίπλα σε κεριά και ανοιχτή φλόγα.
- Μπορείτε να χρησιμοποιήσετε τη συσκευή με τον τρόπο που περιγράφεται στις παρούσες οδηγίες χρήσης.
- Πριν από την πρώτη ενεργοποίηση, πρέπει να βεβαιωθείτε ότι το τροφοδοτικό είναι κατάλληλα συνδεδεμένο.
- Η μήνη USB συνδεδεμένη άμεσα ή με επέκταση USB μήκους έως 25 cm.

Για λόγους ασφαλείας δεν επιτρέπεται να αποσυναρμολογήσετε το περίβλημα ούτε να έχετε πρόσβαση στο μέσο της συσκευής. Η συσκευή πρέπει να επισκευαστεί από το εξειδικευμένο προσωπικό του σέρβις.

Δεν επιτρέπεται να ξεβιδώσετε τη συσκευή ούτε να ανοίξετε το περίβλημά της, γιατί μέσα δεν υπάρχουν εξαρτήματα που μπορεί να επισκευαστούν από τον χρήστη. Η συντήρηση και η επισκευή του εξοπλισμού εκτελείται αποκλειστικά από τους εξουσιοδοτημένους υπάλληλους σέρβις.

ΣΗΜΑΝΤΙΚΕΣ ΠΛΗΡΟΦΟΡΙΕΣ ΣΧΕΤΙΚΑ ΜΕ ΤΗΝ ΑΣΦΑΛΕΙΑ

- 1. Διαβάστε τις οδηγίες χρήσης** – πριν χρησιμοποιήσετε τη συσκευή πρέπει να διαβάσετε όλες τις οδηγίες χρήσης και τις πληροφορίες για την ασφάλεια.
- 2. Φυλάξτε τις οδηγίες χρήσης** – πρέπει να φυλάξετε τις οδηγίες χρήσης και χειρισμού με σκοπό να τις χρησιμοποιήσετε στο μέλλον.
- 3. Ακολουθήστε τις προειδοποιήσεις** – πρέπει να ακολουθήσετε όλες τις προειδοποιήσεις που είναι τοποθετημένες πάνω στη συσκευή και να ακολουθήσετε τις οδηγίες χρήσης.
- 4. Ακολουθήστε τις οδηγίες χρήσης** – πρέπει να ακολουθήσετε τις οδηγίες χρήσης και τις συμβουλές για τον χρήστη.
- 5. Εγκατάσταση** – πρέπει να τοποθετήσετε τη συσκευή σύμφωνα με τις οδηγίες του κατασκευαστή.
- 6. Πηγή τροφοδοσίας** – η συσκευή πρέπει να τροφοδοτηθεί αποκλειστικά από τις πηγές με τις παραμέτρους που αναφέρονται στις επισημάνσεις του καλωδίου τροφοδοσίας. Αν ο χρήστης δεν είναι σίγουρος ποιανού τύπου τροφοδοσία έχει στο σπίτι του, πρέπει να επικοινωνήσει με τον πωλητή της συσκευής ή τον τοπικό προμηθευτή ηλεκτρικής ενέργειας.
- 7. Γείωση και πάωση της συσκευής** – η συσκευή πρέπει να έχει γείωση. Πρέπει να βεβαιωθείτε ότι το φινιρίσμα είναι τελικά τοποθετημένο στην πρίζα ηλεκτρικού δικτύου ή της επέκτασης, για να μην αφήσετε τους πείρους ή τους επαφείς του φινιρίσματος χωρίς κάλυμμα. Κάποιες εκδοχές της συσκευής μπορεί να είναι εξοπλισμένες με πολωμένο φινιρίσμα εναλασσόμενου ρεύματος (με έναν πείρο πλατύτερο). Μπορείτε να βάλετε αυτό το φινιρίσμα στην πρίζα μόνο με έναν τρόπο. Αυτό είναι η λειτουργία προστασίας. Αν δεν μπορείτε να βάλετε το φινιρίσμα στην πρίζα, πρέπει να το περιστρέψετε. Αν το φινιρίσμα εξακολουθεί να μην ταιριάζει στην πρίζα, πρέπει να δώσετε εντολή στον ηλεκτρολόγο να αντικαταστήσει την πρίζα. Δεν επιτρέπεται να βγάλετε τα προστατευτικά του πολωμένου φινιρίσματος. Όταν χρησιμοποιείτε επέκταση ή καλώδιο τροφοδοσίας διαφορετικό από αυτό που παραδίδεται μαζί με τη συσκευή, αυτά πρέπει να έχουν κατάλληλα φινιρίσματα και πιστοποιητικό ασφαλείας.
- 8. Προστασία του καλωδίου τροφοδοσίας** – τα καλώδια τροφοδοσίας πρέπει να δρομολογούνται έτσι, ώστε να μην τα πατάτε, να μην τα πιέζετε και μην τα κόβετε με τοποθετημένα πάνω τους αντικείμενα. Δώστε ειδική σημασία στα φινιρίσματα, τις πρίζες ηλεκτρικού δικτύου και του τόπου όπου τα καλώδια είναι τοποθετημένα μέσα στη συσκευή.
- 9. Υπερφόρτωση** – Δεν επιτρέπεται να υπερφορτώσετε τις ηλεκτρικές πρίζες τοίχου, τις επεκτάσεις και τους διαχωριστές, γιατί αυτό προκαλεί κίνδυνο πυρκαγιάς ή ηλεκτροπληξίας.
- 10. Εξαερισμός** – η συσκευή πρέπει να έχει κατάλληλο εξαερισμό. Δεν επιτρέπεται να τοποθετήσετε τη συσκευή πάνω σε ένα κρεβάτι, έναν καναπέ ή σε παρόμοιες επιφάνειες. Δεν επιτρέπεται να καλύψετε τη συσκευή με τραπεζομάνηλα, πετσέτες, εφημερίδες κλπ.

11. Ζέση – μην τοποθετήσετε τη συσκευή δίπλα σε πηγές θερμότητας όπως θερμάστρες, ακτινοβολείς, καμίνους ή άλλες συσκευές (ακόμη και ενισχυτές) που παράγουν θερμότητα. Μην τοποθετήσετε πάνω στη συσκευή αναμμένα κεριά ή άλλες πηγές ανοιχτής φλόγας.

12. Νερό και υγρασία – για να μειώσετε τον κίνδυνο πυρκαγιάς ή ηλεκτροπληξίας, δεν επιτρέπεται να εκθέσετε τη συσκευή στην άμεση επίδραση βροχής, νερού και υγρασίας όπως π.χ. στη σάουνα ή το μπάνιο. Μην χρησιμοποιείτε την παρούσα συσκευή δίπλα σε νερό, π.χ. δίπλα σε μια μπανιέρα, νιπτήρα, νεροχύτη κουζίνας ή σκάφη, σε ένα υπόγειο με υγρασία ή δίπλα σε πισίνα (ή σε παρόμοιους τόπους).

13. Αντικείμενα και υγρά μέσα στη συσκευή – δεν επιτρέπεται να πιέσετε οποιοδήποτε αντικείμενο μέσα από τα ανοίγματα της συσκευής, γιατί αυτά μπορεί να έχουν επαφή με τα σημεία της επικίνδυνης ηλεκτρικής τάσης και τα υποσυστήματα και αυτό μπορεί να προκαλέσει πυρκαγιά. Σε καμία περίπτωση μη χύσετε οποιοδήποτε υγρό δίπλα στη συσκευή. Δεν επιτρέπεται να βάζετε πάνω στη συσκευή τα αντικείμενα που περιέχουν υγρά.

14. Καθαρισμός – πάντα πρέπει να αποσυνδέετε τη συσκευή από την πρίζα ηλεκτρικού δικτύου πριν από καθαρισμό. Η σκόνη γύρω από το ηχείο μπορεί να αφαιρεθεί με ένα ύφασμα. Αν χρησιμοποιήσετε ένα αερόλυμα για καθαρισμό, μην κατευθύνετε τη ροή ψεκασμού άμεσα στη συσκευή, αλλά σε ένα πανί. Πρέπει να προσέξετε να μη χαλάσετε τις μονάδες μετάδοσης κίνησης.

15. Πρόσθετος εξοπλισμός – μη χρησιμοποιήσετε αξεσουάρ που δεν επιτρέπονται από τον κατασκευαστή, γιατί αυτά μπορούν να προκαλέσουν κίνδυνο.

16. Αξεσουάρ – μην τοποθετείτε τη συσκευή σε ασταθές καροτσάκι, υποστήριγμα, τρίποδο, βάση ή τραπέζι. Η συσκευή μπορεί να ανατραπεί και να χαλάσει καθώς και να προκαλέσει σοβαρά τραύματα σε παιδιά και σε ηλικιωμένα πρόσωπα. Πρέπει να χρησιμοποιήσετε αποκλειστικά καροτσάκια, υποστήριγματα, τρίποδα, βάσεις ή τραπέζια που ορίζονται από τον κατασκευαστή ή που πωλούνται μαζί με τη συσκευή. Εκτελέστε τη συναρμολόγηση της συσκευής σύμφωνα με τις οδηγίες του κατασκευαστή με χρήση του σετ συναρμολόγησης που προτείνεται από τον κατασκευαστή.

17. Μεταφορά της συσκευής – πρέπει να μεταφέρετε τη συσκευή τοποθετημένη σε καροτσάκι πολύ προσεκτικά. Ξαφνικό σταμάτημα, υπερβολική δύναμη ή ανώμαλες επιφάνειες μπορεί να προκαλέσουν ανατροπή στο καροτσάκι μαζί με τη συσκευή.

18. Περίοδος όταν η συσκευή δεν χρησιμοποιείται – πρέπει να αποσυνδέσετε το καλώδιο τροφοδοσίας από την πρίζα ηλεκτρικού δικτύου κατά τις καταιγίδες με κεραυνούς ή όταν δεν χρησιμοποιείτε τη συσκευή πολλή ώρα.

19. Σέρβις – μην δοκιμάσετε να εκτελέσετε επιθεωρήσεις της συσκευής μόνοι σας. Το να ανοίξετε το κάλυμμα μπορεί να προκαλέσει επαφή με επικίνδυνη ηλεκτρική τάση και να εκτεθεί ο χρήστης σε άλλους κινδύνους. Η συντήρηση και η επισκευή του εξοπλισμού εκτελείται αποκλειστικά από τους εξουσιοδοτημένους υπάλληλους σέρβις.

20. Όταν δεν χρησιμοποιείτε τη συσκευή, πρέπει να αποσυνδέσετε το φις της από την πρίζα ηλεκτρικού δικτύου. Όταν η συσκευή είναι συνδεδεμένη στην πηγή ηλεκτρικής ενέργειας, είναι στον τρόπο λειτουργίας αναμονής και δεν είναι απολύτως απενεργοποιημένη.

21. Ανταλλακτικά – όταν αντικαθιστάτε εξαρτήματα πρέπει να ελέγχετε αν ο υπάλληλος του σέρβις έχει χρησιμοποιήσει τα ανταλλακτικά που προτείνονται από τον κατασκευαστή ή τα εξαρτήματα είναι ίδια όπως τα γνήσια εξαρτήματα. Η αντικατάσταση εξαρτημάτων με μη γκεκριμένα προκαλεί κίνδυνο πυρκαγιάς, ηλεκτροπληξίας και άλλους κινδύνους.

22. Κύριες ηλεκτρικές ασφάλειες – για να προστατέψετε με συνεχή τρόπο τη συσκευή από πιθανή πυρκαγιά, πρέπει να χρησιμοποιήσετε τις ασφάλειες κατάλληλου τύπου και παραμέτρων. Οι παράμετροι των ασφαλειών του ορισμένου φάσματος της ηλεκτρικής τάσης επισημαίνονται πάνω στη συσκευή.

23. Δεν επιτρέπεται να αυξήσετε την ένταση ήχου όταν ακούτε ένα κομμάτι το οποία έχει χαμηλή ένταση ήχου ή όταν δεν υπάρχει σήμα ήχου εισόδου. Σε αντίθετη περίπτωση, ενδέχεται να χαλάσετε το ηχείο με την ξαφνική αύξηση της έντασης του σήματος.

24. Η μοναδική λύση να αποσυνδέσετε πλήρως τη συσκευή από την πηγή ηλεκτρικής ενέργειας είναι η αποσύνδεση του καλωδίου τροφοδοσίας από την πρίζα ηλεκτρικής ενέργειας ή από τη συσκευή. Η πρίζα ηλεκτρικού δικτύου ή η υποδοχή του καλωδίου τροφοδοσίας στη συσκευή πάντα πρέπει να είναι διαθέσιμες κατά τη χρήση της συσκευής.

25. Η συσκευή πρέπει να τοποθετηθεί δίπλα σε πρίζα ηλεκτρικού δικτύου ή επέκταση έτσι ώστε να είναι πάντα διαθέσιμες.

26. Η μέγιστη θερμοκρασία περιβάλλοντος πρέπει είναι 35°C.

27. Οδηγίες σχετικά με τις ηλεκτροστατικές εκκινήσεις - αν η λειτουργία της συσκευής διαταράσσεται με τις ηλεκτροστατικές εκκινήσεις, πρέπει να την απενεργοποιήσετε και να την ενεργοποιήσετε ξανά ή να μεταφέρετε τη συσκευή σε άλλο τόπο.

28. Μπαταρία

a. Δεν επιτρέπεται να εκθέτετε τις μπαταρίες στη δράση υπερβολικής ζέστης όπως π.χ. ηλιακή ακτινοβολία.

b. Κατά τη διάθεση των μπαταριών, πρέπει να δώσετε σημασία στις παραμέτρους της προστασίας του περιβάλλοντος.

c. Προειδοποίηση σχετικά με χρήση των μπαταριών: για να μην επιτρέψετε αποσφράγιση των μπαταριών που μπορεί να προκαλέσει τραύματα ή να χαλάσει τη συσκευή:

- Όταν βάζετε τη μπαταρία δώστε σημασία στην πόλωση της (+ και -).
- Δεν επιτρέπεται να χρησιμοποιήσετε ταυτόχρονα διαφορετικές μπαταρίες - καινούργιες και μεταχειρισμένες, τις μπαταρίες στάνταρ και αλκαλικές κλπ.
- Πρέπει να βγάλετε τις μπαταρίες από τη συσκευή δεν τη χρησιμοποιείτε πολλή ώρα.

Παρατήρηση σχετικά με τις ERP2 (Συσκευές σχετικά με την ενέργεια)

Η παρούσα συσκευή είναι οικολογικού σχεδιασμού και πληροί τις απαιτήσεις της φάσης 2 του Κανονισμού (ΕΚ) αριθ. 1275/2008 της Επιτροπής περί εφαρμογής της οδηγίας 2009/125/ΕΚ σχετικά με την κατανάλωση ενέργειας σε κατάσταση απενεργοποίησης και αναμονής του ηλεκτρικού και ηλεκτρονικού εξοπλισμού γραφείου και οικιακού εξοπλισμού.

ΠΡΟΕΙΔΟΠΟΙΗΣΗ

Η συσκευή δεν επιτρέπεται να χρησιμοποιηθεί από πρόσωπα (συμπεριλαμβανόμενων των παιδιών) με μειωμένη φυσική και αισθητηριακή ικανότητα και τα πρόσωπα με ανεπαρκή γνώση και εμπειρία, αν δεν είναι υπό την εποπτεία του προσώπου που είναι υπεύθυνο για την ασφάλειά τους και δεν έχουν εκπαιδευθεί πως να χρησιμοποιούν τη συσκευή με ασφαλή τρόπο. Η παρουσία των ενηλίκων απαιτείται όταν τα παιδιά χειρίζονται τη συσκευή· έτσι θα διασφαλίσετε την ασφαλή χρήση της συσκευής.

1. Δεν επιτρέπεται να αφήνετε τη συσκευή όταν λειτουργεί χωρίς καμία εποπτεία! Πρέπει να απενεργοποιείτε τη συσκευή όταν δεν τη χρησιμοποιείτε, ακόμη για ένα σύντομο διάστημα.

2. Δεν επιτρέπεται να μεταχειρίζεστε τη συσκευή μέσα από ένα εξωτερικό ρολόι με χρονικό σύστημα ούτε με ξεχωριστό σύστημα τηλεχειρισμού.

4. Πριν αρχίσετε να χειρίζεστε τη συσκευή, πρέπει να ελέγξετε αν η τάση της είναι συμβατή με την τάση του τοπικού ηλεκτρικού δικτύου.
5. Δεν επιτρέπεται να καλύπτετε τα ανοίγματα εξαερισμού π.χ. με εφημερίδες, τραπέζομάνηλα, κουρτίνες κλπ.. Πρέπει να βεβαιωθείτε ότι πάνω από τη συσκευή υπάρχει ένας ελεύθερος χώρος τουλάχιστον 20 cm και από κάθε πλευρά της - τουλάχιστον 5 cm.
6. Δεν επιτρέπεται να στάξει ή να χυθεί κανένα υγρό στη συσκευή και δεν επιτρέπεται να βάζετε πάνω στη συσκευή κανένα αντικείμενο γεμάτο με υγρό όπως π.χ. ένα βάζο.
7. Για να αποφύγετε πυρκαγιά ή ηλεκτροπληξία, πρέπει να προστατεύετε τη συσκευή από ζεστούς τόπους, τη δράση της βροχής, της υγρασίας και της σκόνης.
8. Δεν επιτρέπεται να τοποθετείτε τη συσκευή κοντά σε οποιαδήποτε πηγή νερού όπως π.χ. βρύσες, μπανιέρες, πλυντήρια ή πισίνες κολύμβησης. Η συσκευή πρέπει να τοποθετηθεί σε μία ίσια και σταθερή βάση.
9. Δεν επιτρέπεται να εκθέτετε τη συσκευή σε ισχυρό μαγνητικό πεδίο.
10. Δεν επιτρέπεται να βάζετε τη συσκευή αμέσως στον ενισχυτή, δέκτη ή διακόπτη.
11. Δεν επιτρέπεται να βάζετε τη συσκευή σε ένα μέρος με υγρασία, γιατί η υγρασία έχει αρνητική επίδραση στα ηλεκτρικά συστήματα.
12. Μετά από μεταφορά της συσκευής από κρύο σε ζεστό τόπο ή σε τόπο με υγρασία, μπορεί να προκληθεί υγραποίηση της υγρασίας πάνω στον φακό μέσα στη συσκευή αναπαραγωγής. Σε μια τέτοια περίπτωση η συσκευή δεν θα λειτουργήσει σωστά. Πρέπει να αφήσετε τη συσκευή απενεργοποιημένη για περίπου μια ώρα, για να επιτρέψετε την εξάτμιση της υγρασίας.
13. Δεν επιτρέπεται να καθαρίζετε τη συσκευή με χημικούς διαλύτες, γιατί μπορεί να χαλάσουν το βερνίκι του περιβλήματος. Σκουπίζετε τη συσκευή με ένα καθαρό, στεγνό ή λίγο μουσκεμένο πανί.
14. Όταν βγάζετε το φως από την πρίζα τοίχου, πάντα πρέπει να τραβάτε το φως και όχι το καλώδιο.
15. Όταν η ενεργοποιημένη συσκευή χρησιμοποιείται δίπλα σε ενεργοποιημένη τηλεόραση, μπορεί να είναι πηγή διαταραχών όρασης με τη μορφή γραμμών στην οθόνη. Αυτό εξαρτάται από τη ζώνη κυμάτων μετάδοσης της TV. Αυτό δεν σημαίνει ότι η συσκευή ή η τηλεόραση δεν λειτουργούν κατάλληλα. Αν αυτές γραμμές είναι ορατές, πρέπει να απομακρύνετε τη συσκευή από την τηλεόραση.
16. Το φως ηλεκτρικού δικτύου χρησιμοποιείται για αποσύνδεση της ηλεκτρικής τάσης τροφοδοσίας και πάντα πρέπει να είναι διαθέσιμο.
17. Για να μην επιτρέψετε πιθανή απώλεια ακοής, δεν επιτρέπεται να ακούτε μουσική πολύ δυνατά για πολλή ώρα.



ΠΡΟΣΟΧΗ



Δήλωση

Δια του παρόντος η εταιρεία Blaupunkt Competence Center 2N-Everpol Sp. z o.o. δηλώνει ότι η παρούσα συσκευή είναι συμβατή με τις προϋποθέσεις και τις λοιπές σχετικές προβλέψεις της οδηγίας 2014/53 / EE. Μπορείτε να λάβετε την πλήρη δήλωση συμβατότητας από την

ιστοσελίδα www.blaupunkt.com στην καρτέλα του προϊόντος.

Κάτοχος άδειας κυκλοφορίας: 2N-Everpol Sp. Z o.o.

Puławska 403A, 02-801 Warszawa, Πολωνία

Τηλέφωνο: +48 22 331 99 59, e-mail: info@everpol.pl



Το προϊόν κατασκευάστηκε από υλικά υψηλής ποιότητας και τα συστήματα, τα οποία μπορούν να ανακυκλωθούν και να χρησιμοποιηθούν ξανά.



Αν πάνω στη συσκευή υπάρχει το σύμβολο του διαγραμμένου κάδου, αυτό σημαίνει ότι το προϊόν καλύπτεται από τις προβλέψεις της ευρωπαϊκή οδηγίας 2012/19/ΕΕ. Πρέπει να εξοικειωθείτε με τις απαιτήσεις του τοπικού συστήματος συγκέντρωσης απορριπτόμενου εξοπλισμού και υπολειμμάτων υλικού διάλυσης. Πρέπει να ακολουθήσετε τους τοπικούς κανονισμούς. Μην απορρίψετε το προϊόν μαζί με τα κανονικά οικιακά απορρίμματα. Η σωστή διάθεση του παλαιού προϊόντος προστατεύει από αρνητικά αποτελέσματα για το φυσικό περιβάλλον και την ανθρώπινη υγεία.

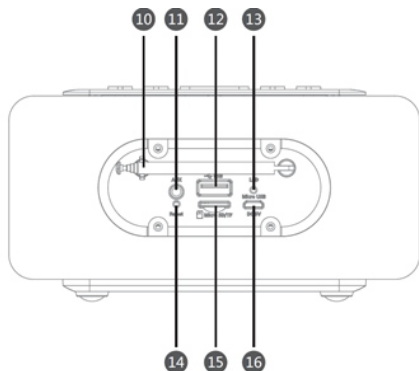
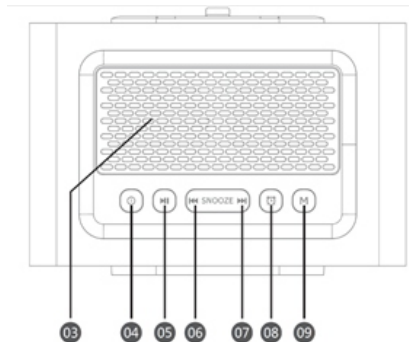
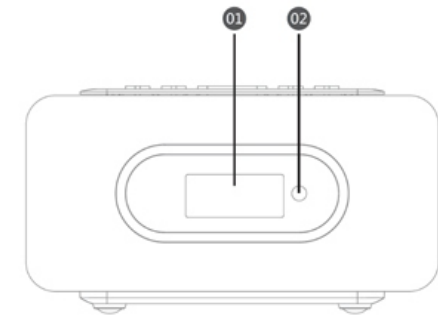


Η συσκευή είναι εξοπλισμένη με μπαταρίες οι οποίες ορίζονται με την ευρωπαϊκή οδηγία 2013/56/ΕΕ. Δεν επιτρέπεται να απορρίψετε τις μπαταρίες μαζί με τα οικιακά απορρίμματα. Πρέπει να εξοικειωθείτε με τους τοπικούς κανονισμούς για την ξεχωριστή συγκέντρωση των μπαταριών, διότι η κατάλληλη διάθεση προστατεύει από πιθανά αρνητικά αποτελέσματα της για το φυσικό περιβάλλον και την ανθρώπινη ζωή.

Πληροφορίες για την προστασία του περιβάλλοντος

Η συσκευασία περιέχει μόνο τα απαραίτητα στοιχεία. Έχει καταβληθεί κάθε δυνατή προσπάθεια ώστε τα τρία συστατικά της συσκευασίας να διαχωριστούν εύκολα: χαρτί (κουτί), αφρός πολυστερίνης (προστατευτικά μέσα στη συσκευασία) και πολυαιθυλένιο (σακούλες, προστατευτικό φύλλο). Η συσκευή κατασκευάστηκε από υλικά τα οποία μπορούν να ανακυκλωθούν και να χρησιμοποιηθούν ξανά μετά την αποσυρμολόγησή τους. Πρέπει να ακολουθήσετε τους τοπικούς κανονισμούς σχετικά με τη διάθεση των υλικών συσκευασίας, των μεταχειρισμένων μπαταριών και των περιττών συσκευών.

Η εγγραφή και αναπαραγωγή υλικού μπορεί να απαιτήσει σχετική άδεια. Βλέπε το περί πνευματικών δικαιωμάτων και των δικαιωμάτων/δημιουργών/καλλιτεχνών νόμο.

Διάθεση εξαρτημάτων ελέγχου:


.01 - Οθόνη

02 - Αισθητήρας τηλεχειρισμού.

03 - Ηχείο.

04 - Κουμπί ηλεκτρικής ενέργειας.

05 - Κουμπί Play / Pause (Αναπαραγωγή / Παύση) επιτρέπει αναπαραγωγή / παύση και σίγαση.

06 - Κουμπί «προηγούμενο» / ένταση ήχου - κουμπί επιλογής προηγούμενου κομματιού και ρύθμισης της έντασης ήχου.

07 - Κουμπί «επόμενο» / ένταση ήχου - κουμπί επιλογής επόμενου κομματιού και ρύθμισης της έντασης ήχου.

08 - Κουμπί ρολογιού.

09 - Κουμπί τρόπου αναπαραγωγής USB / microSD / FM / AUX-IN.

10 - Κεραία FM.

11 - Υποδοχή AUX-IN.

12 - Υποδοχή USB.

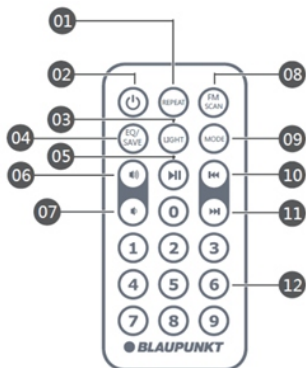
13 - Δείκτης τροφοδοσίας LED

14 - Επαναφορά του συστήματος

15 - Υποδοχή των καρτών microSD.

16 - Υποδοχή ηλεκτρικής ενέργειας DC5V.

Τηλεχειριστής



- 01 - Κουμπί επανάληψης (επανάληψη εν όλω, τυχαία και επανάληψη μιας φορές).
 02— Κουμπί ενεργοποίησης και απενεργοποίησης τροφοδοσίας.
 03— Κουμπί LIGHT για ρύθμιση έντασης φωτός του φωτισμού
 04— Κουμπί EQ/SAVE επιλογής ρυθμίσεων του εξομοιωτή γραφικών (λειπτουργεί μόνο στον τρόπο αναπαραγωγής από τη μνήμη USB/την κάρτα microSD).
 05— Κουμπί αναπαραγωγής/παύσης. 06— Αύξηση έντασης ήχου.
 07— Μείωση έντασης ήχου. 08— Κουμπί σάρωσης FM.
 09— Κουμπί τρόπου λειτουργίας για επιλογή της πληγής σήματος.
 10— Κουμπί προηγούμενου κομματιού. 11— Κουμπί επόμενου κομματιού.
 12— Αριθμητικά κουμπιά (0–9).

Προσοχή!

- Πριν να αρχίσετε να χρησιμοποιείτε τον τηλεχειριστή πρέπει αν επιβεβαιωθείτε ότι αυτός έχει εγκατεστημένη τη μπαταρία Cr2025 μα διατήρηση της πόλωσης.
- Πρέπει να αφαιρέσετε το φύλο μόνωσης πριν να αρχίσετε να χρησιμοποιείτε το τηλεχειριστή.
- Απορρίψτε τις μεταχειρισμένες μπαταρίες σε ειδικούς για αυτό το σκοπό κάδους. Πληροφορίες για την ανακύκλωση μπαταριών μπορεί να είναι διαθέσιμες από τις τοπικές αρχές.
- Εμβέλεια λειτουργίας του τηλεχειριστή είναι 5 μέτρα (χωρίς εμπόδια μεταξύ των συσκευών). Κατευθύνετε τον τηλεχειριστή στον αισθητήρα που βρίσκεται στο εμπρόσθιο πάνελ.

Διάθρωση και ενεργοποίηση/απενεργοποίηση της συσκευής

Τροφοδοσία LED: Συνδέστε το καλώδιο USB στον τροφοδότη ηλεκτρικής ενέργειας και τη δεύτερη άκρη του καλωδίου USB στην υποδοχή microUSB τροφοδοσίας του οπίσθιου πάνελ της συσκευής. Επομένως συνδέστε τον τροφοδότη ηλεκτρικής ενέργειας στην πρίζα. Μετά από επιτυχή σύνδεση πάνω στη συσκευή θα ενεργοποιηθεί η κόκκινη δίοδος LED.

Φόρτιση συσσωρευτή: η συσκευή θα αρχίσει να φορτίζεται μετά τη σύνδεσή της σε συνεχές ρεύμα. Η δίοδος LED του οπίσθιου πάνελ θα αλλάξει το χρώμα της σε πράσινο σε περίπτωση πλήρους φόρτισης. Μπορείτε να ελέγξετε την κατάσταση φόρτισης της μπαταρίας με το εικονίδιο της μπαταρίας στην επάνω δεξιά γωνία της οθόνης. Η συσκευή θα απενεργοποιηθεί αυτόματα σε περίπτωση εξάντλησης της μπαταρίας. Τότε πρέπει να συνδέσετε ξανά τη συσκευή στη φόρτιση.

Ενεργοποίηση και απενεργοποίηση της συσκευής: Πατήστε και κρατήστε το κουμπί τροφοδοσίας στον επάνω πάνελ της μονάδας για 2 δευτερόλεπτα για να ενεργοποιήσετε / απενεργοποιήσετε τη συσκευή. Σύνομο πάτημα του κουμπιού τροφοδοσίας του επάνω πάνελ ή του τηλεχειριστηρίου μπορεί να ενεργοποιήσει / απενεργοποιήσει τον τρόπο λειτουργίας stand-by (προβολή ρολογιού, χωρίς έξοδο ήχου). Μετά την ενεργοποίηση της τροφοδοσίας, η οθόνη θα φωτιστεί και στη συνέχεια μπορείτε να ξεκινήσετε άλλες λειτουργίες.

Παρατηρήσεις:

a. Το παραδεδомένο καλώδιο USB έχει δύο φικ - γενικής χρήσης USB και microUSB. Το φικ γενικής χρήσης USB χρησιμοποιείται στον τροφοδότη ηλεκτρικής ενέργειας ενώ το φικ microUSB για σύνδεση της υποδοχής της συσκευής με την τροφοδοσία από το συνεχές ρεύμα.

b. Η συσκευή μπορεί αν τροφοδοτηθεί μόνο με το τροφοδότη παραδεδомένο μαζί με τη συσκευή ή με τον τροφοδότη με τις ίδιες ονομαστικές παραμέτρους.

c. Μετά την απενεργοποίηση της τροφοδοσίας χρησιμοποιώντας το κουμπί τροφοδοσίας του επάνω πάνελ, η συσκευή δεν μπορεί να ενεργοποιηθεί με το τηλεχειριστήριο λόγω πλήρους απενεργοποίησης της τροφοδοσίας. Πατήστε ξανά το κουμπί τροφοδοσίας στο επάνω πάνελ για να ενεργοποιήσετε τη συσκευή ξανά.

d. Η συσκευή μπορεί να αναπαράγει ήχο κατά την τροφοδοσία της. Σε περίπτωση πλήρους κύκλου τροφοδοσίας μιας φοράς προτείνεται η πλήρης απενεργοποίηση της συσκευής.

Ρύθμιση φωτισμού της ένδειξη (ρυθμιστής έντασης φωτός)

Πατήστε το κουμπί "LIGHT" του τηλεχειριστή για να ρυθμίσετε την ένταση φωτός του φωτισμού της ένδειξης μεταξύ των επιπέδων: υψηλό / μέσο και χαμηλό.

Ρύθμιση έντασης ήχου:

Πατήστε και κρατήστε το κουμπί «προηγούμενο» ή «επόμενο» του κεντρικού πάνελ για να αυξήσετε ή να μειώσετε το επίπεδο έντασης ήχου με μεγάλη ταχύτητα· σύνομο πάτημα του κουμπιού «προηγούμενο» ή «επόμενο» αμέσως μετά από ρύθμιση της έντασης ήχου με μεγάλη ταχύτητα σας επιτρέπει τη βαθμιαία ρύθμιση· αφήστε τα κουμπιά «προηγούμενο» ή «επόμενο» για 3 δευτερόλεπτα χωρίς καμία άλλη πράξη για να επιστρέψετε στη χρήση τους στον τρόπο επιλογής του τελευταίου ή του επόμενου κομματιού.

Προγραμματισμός ώρας

Ρολόι: Ενεργοποιήστε τη συσκευή και στη συνέχεια πατήστε για λίγο το κουμπί τροφοδοσίας για να περάσετε στον τρόπο προγραμματισμού του ρολογιού. Πατώντας τρεις φορές για λίγο το κουμπί «mode» θα αρχίσετε να προγραμματίζετε το ρολόι και τα ψηφία θα αρχίσουν να αναβοσβήνουν πάνω στην οθόνη· πατήστε το κουμπί «προηγούμενο» / «επόμενο» για να προγραμματίσετε την ώρα· πατήστε το κουμπί ρολογιού για να περάσετε στον προγραμματισμό λεπτών ή, κατά ανάγκη, πατήστε ξανά το κουμπί ρολογιού για να επιστρέψετε στον προγραμματισμό ώρας· πατήστε το κουμπί «προηγούμενο» / «επόμενο» για να προγραμματίσετε τα λεπτά, και στη συνέχεια πατήστε για λίγο το κουμπί τροφοδοσίας για να τελειώσετε τον προγραμματισμό το ρολόι.

Συναγερμός Ενεργοποιήστε τη συσκευή και στη συνέχεια πατήστε για λίγο το κουμπί τροφοδοσίας για να περάσετε στον προγραμματισμό του συναγερμού. Το σύντομο πάτημα του κουμπιού «mode» αρχίζει τον προγραμματισμό του συναγερμού 1, και η εικόνα συναγερμού 1 (κουδούνι με το νούμερο 1) θα ανάψει· πατήστε το κουμπί «προηγούμενο» / «επόμενο» για να προγραμματίσετε την ώρα· πατήστε το κουμπί ρολογιού για να περάσετε στον προγραμματισμό λεπτών ή, κατά ανάγκη, πατήστε ξανά το κουμπί ρολογιού για να επιστρέψετε στον προγραμματισμό ώρας· πατήστε το κουμπί «προηγούμενο» / «επόμενο» για να προγραμματίσετε τα λεπτά, πατήστε το κουμπί ρολογιού για να περάσετε στον τρόπο επιλογής της πηγής συναγερμού, πατήστε το κουμπί «προηγούμενο» / «επόμενο» για εναλλαγή μεταξύ της πηγής συναγερμού και των ακουστικών σημάτων / USB / microSD / ραδιόφωνο· πατήστε για λίγο το κουμπί αναπαραγωγής / παύσης και το κουμπί τροφοδοσίας για να επιβεβαιώσετε και να ολοκληρώσετε τον προγραμματισμό του συναγερμού. Σε περίπτωση προγραμματισμού του συναγερμού 2, πατήστε δύο φορές το κουμπί «mode» για να ενεργοποιήσετε το πρόγραμμα προγραμματισμού. Η ακόλουθη διαδικασία είναι η ίδια όπως στην περίπτωση προγραμματισμού του συναγερμού 1.

Συμβουλές:

- Το ρολόι και ο συναγερμός θα λειτουργήσουν σε περίπτωση τροφοδοσίας από τον συσσωρευτή ή σύνδεσης της ηλεκτρικής ενέργειας δικτύου. Κατά τη διαρκή χρήση της συσκευής, προτείνεται να χρησιμοποιήσετε τη σύνδεση της τροφοδοσίας από ηλεκτρική ενέργεια δικτύου.
- Όταν ενεργοποιηθεί ο συναγερμός, πατήστε οποιοδήποτε κουμπί εκτός από το κουμπί «προηγούμενο» / «επόμενο»· να απενεργοποιήσετε τον ήχο του συναγερμού. Ο συναγερμός θα ενεργοποιηθεί την επόμενη μέρα, την ίδια ώρα. Ο χρόνος διάρκειας του συναγερμού είναι 5 λεπτά και απενεργοποιείται αυτόματα σε περίπτωση έλλειψης ακόλουθης λειτουργίας της συσκευής.
- Μετά την ενεργοποίηση του συναγερμού, πατήστε για λίγο το κουμπί αναβολής για να περάσετε στον τρόπο λειτουργίας αναβολής. Ο συναγερμός θα ενεργοποιηθεί ξανά μετά από άλλα 5 λεπτά. Πατήστε οποιοδήποτε άλλο κουμπί να απενεργοποιήσετε την αναβολή.
- Το σύντομο πάτημα μιας φοράς του κουμπιού ρολογιού στο επάνω πάνελ μπορεί να ενεργοποιήσει ή να απενεργοποιήσει τον συναγερμό αριθμ. 1· το σύντομο πάτημα δύο φορές αυτού του κουμπιού μπορεί να ενεργοποιήσει ή να απενεργοποιήσει τον συναγερμό αριθμ. 2· το διαρκές πάτημά του μπορεί να ενεργοποιήσει ή να απενεργοποιήσει ταυτόχρονα τον συναγερμό 1 και τον συναγερμό 2.

- e. Αν επιλέξετε USB / microSD / ραδιόφωνο ως πηγή συναγερμού, πατήστε για λίγο το κουμπί αναπαραγωγής / παύσης για να προβάλετε το κομμάτι ή τον ραδιοφωνικό σταθμό που θα ενεργοποιηθούν ως συναγερμός, πατήστε σύντομα το κουμπί «προηγούμενο» / «επόμενο», να εναλλάξετε το κομμάτι ή τον ραδιοφωνικό σταθμό, πατήστε το κουμπί αναπαραγωγής / παύσης για να επιστρέψετε στους προγραμματισμούς του συναγερμού.
- f. Όταν επιλέξετε την αναπαραγωγή ως πηγή του συναγερμού, αυτό σημαίνει ότι η μονάδα αυτόματα θα ενεργοποιήσει την αναπαραγωγή ραδιοφώνου / USB / microSD στην προγενέστερα προγραμματισμένη ώρα. Το σύντομο πάτημα του κουμπιού αναπαραγωγής / παύσης επιτρέπει την εναλλαγή της πηγής ζυμητηρίου μεταξύ: ραδιόφωνο / USB / microSD. Η συσκευή θα ενεργοποιηθεί για 120 λεπτά και θα απενεργοποιηθεί αυτόματα.
- g. Βεβαιωθείτε ότι οι φορείς USB / microSD με τη μουσική είναι κατάλληλα συνδεδεμένοι, αν επιλέξετε USB / microSD ως πηγή συναγερμού.
- h. Ο συναγερμός είναι διαθέσιμος ακόμη και όταν η συσκευή είναι απενεργοποιημένη (ενεργοποιημένη οθόνη).

Λειτουργία κατάστασης ύπνου Sleep: Sleep: Όταν η συσκευή είναι στην κατάσταση αναμονής (στην ένδειξη προβάλλεται η ώρα), το σύντομο πάτημα του κουμπιού «play / pause» ενεργοποιεί τον προγραμματισμό του τρόπου κατάστασης ύπνου, πατήστε για λίγο το κουμπί «προηγούμενο» / «επόμενο» για να προγραμματίσετε τον χρόνο διάρκειας της λειτουργίας ύπνου μεταξύ των 15/30/45/60/75/90/120 λεπτών ή με τον τρόπο απενεργοποίησης, πατήστε για λίγο το κουμπί αναπαραγωγής / παύσης για να επιβεβαιώσετε την επιλογή σας. Στον τρόπο αναπαραγωγής (ραδιόφωνο / USB / microSD / Bluetooth / aux), ο ήχος απενεργοποιείται αυτόματα μετά από τον επιλεγμένο προγενέστερα χρόνο. Μετά από επιστροφή στον τρόπο αναμονής, πατήστε για λίγο το κουμπί αναπαραγωγής / παύσης για να ελέγξετε τον υπόλοιπο χρόνο της λειτουργίας ύπνου.

Χειρισμός του ραδιοφώνου FM

Η συσκευή διαθέτει πτυσσόμενη κεραία για να ακούσετε τους σταθμούς FM. Πριν να αρχίσετε να ακούτε το σταθμό FM πρέπει να επεκτείνετε πλήρως την κεραία και να προγραμματίσετε το δέκτη δίπλα σε ένα παράθυρο για να έχετε καλύτερη λήψη ραδιοφωνικού σήματος.

Ενεργοποιήστε τροφοδοσία της συσκευής και πατάτε το κουμπί «mode» στο επάνω πάνελ ή το κουμπί MODE στον τηλεχειριστή έως να προβληθεί ο τρόπος λειτουργίας ραδιοφώνου.

1. Αυτόματος συντονισμός και προγραμματισμός σταθμών: Πατήστε για λίγο το κουμπί FM SCAN ή πατήστε και κρατήστε κατά 3 δευτερόλεπτα το κουμπί αναπαραγωγής / παύσης του τηλεχειριστή ή του επάνω πάνελ για να αρχίσετε αυτόματη σάρωση και καταγραφή των ραδιοφωνικών σταθμών FM. Η συσκευή επιτρέπει καταγραφή το μέγιστο 60 σταθμών.

2. Αυτόματη σάρωση: πατήστε και κρατήστε το κουμπί επόμενου κομματιού στο εμπρόσθιο πάνελ ή στο τηλεχειριστή για να σαρώσετε αυτόματα τους διαθέσιμους σταθμούς προς τα πάνω ή προς τα κάτω της ζώνης. Η συσκευή θα σταματήσει και θα αναπαραγάγει αυτόματα τον επόμενο σταθμό. Πατήστε το κουμπί SAVE του τηλεχειριστή για να καταγράψετε το τρεχούμενο σταθμό.

3. Χειροκίνητος προγραμματισμός σταθμών: Χρησιμοποιώντας την αυτόματη σάρωση επιλέξτε τον αγαπημένο σας ραδιοφωνικό σταθμό και στη συνέχεια πατήστε το κουμπί SAVE του τηλεχειριστηρίου για να το αποθηκεύσετε στη μνήμη. Πατήστε για λίγο το κουμπί "REPEAT" του τηλεχειριστηρίου και στη συνέχεια πατήστε το κουμπί έντασης ήχου + ή - στο τηλεχειριστήριο για να αλλάξετε τη ραδιοφωνική συχνότητα κατά 0,1 MHz, πατήστε το κουμπί "SAVE" για να αποθηκεύσετε χειροκίνητα τον τρέχοντα σταθμό· μετά από 10 δευτερόλεπτα τα κουμπιά ρύθμισης έντασης ήχου volume +/- θα ανανεώσουν τη λειτουργία ρύθμισης έντασης ήχου τους.

4. Αυτόματη διαγραφή αποθηκευμένων σταθμών με αδύναμο σήμα: σε περίπτωση που κατά τον αυτόματο προγραμματισμό των ραδιοφωνικών σταθμών η συσκευή θα εισαγάγει στη μνήμη τα προγράμματα με αδύναμο σήμα, υπάρχει δυνατότητα να τους διαγράψετε. Για να το κάνετε, κατά την αναπαραγωγή αυτού του σταθμού, στο τηλεχειριστήριο πρέπει να πατήσετε συνεχόμενα το κουμπί «0». Ο σταθμός θα διαγραφεί και στη θέση του θα εμφανιστεί ο επόμενος προγραμματισμένος σταθμός.

5. Πρόκληση ορισμένου σταθμού: για να προγραμματίσετε το σταθμό ορισμένης συχνότητας μπορείτε να πατάτε τα αριθμητικά κουμπιά του τηλεχειριστή. Για να προγραμματίσετε το σταθμό της ραδιοφωνικής συχνότητας 104,3 MHz, πατήστε τα αριθμητικά κουμπιά 1-0-4-3 του τηλεχειριστή. Η συσκευή θα συντονιστεί και θα αναπαραγάγει αυτόματα τον επόμενο σταθμό.

6. Επιλογή προγραμμιτισμένων σταθμών: πατήστε για λίγο το κουμπί προγενέστερου ή επόμενου κομματιού στο εμπρόσθιο πάνελ ή στο τηλεχειριστή για να επιλέξετε τον προγραμματισμένο σταθμό· μπορείτε ακόμη να επιλέξετε το σταθμό πατώντας τα αριθμητικά κουμπιά του τηλεχειριστή. Για να ακούσετε τον προγραμματισμένο σταθμό με τον αριθμό 12, πατήστε τα αριθμητικά κουμπιά 1-2 του τηλεχειριστή· ο σταθμός θα αναπαραχθεί.

Χειρισμός αναπαραγωγής από τη μνήμη USB/τις κάρτες microSD

Πριν να αρχίσετε να αναπαράγετε MP3 πρέπει να ελέγξετε αν η μνήμη USB έχει συνδεθεί στην υποδοχή USB ή αν έχετε βάλει την κάρτα microSD στην υποδοχή από πίσω της συσκευής. Στους φορείς μνήμης πρέπει να υπάρχουν αντιγγραμμένα μουσικά αρχεία MP3. Η συσκευή εξυπηρετεί τις μνήμες της χωρητικότητας έως 32 GB.

1. Πατήστε το κουμπί MODE ή M για να εναλλαχθείτε στον τρόπο λειτουργία αναπαραγωγής από τη μνήμη USB ή την κάρτα microSD. Η συσκευή αυτόματα ανιχνεύσει τη μουσική και θα αρχίσει αναπαραγωγή μετά να προβάλει το συνολικό αριθμό των αρχείων.
2. Πατήστε για λίγο το κουμπί προηγούμενου ή επόμενου κομματιού για να επιλέξετε το προηγούμενο ή το επόμενο κομμάτι· πατήστε και κρατήστε το κουμπί προηγούμενου ή επόμενου κομματιού για να κυλίσετε γρήγορα το του τηλεχειριστηρίου κομμάτι προς τα πίσω ή προς τα εμπρός.
3. Πατήστε τα αριθμητικά κουμπιά του τηλεχειριστή για να επιλέξετε γρήγορα και να αναπαραγάγετε το κομμάτι με ορισμένο αριθμό.
4. Πατήστε για λίγο το κουμπί REPEAT του τηλεχειριστή για να επιλέξετε τον τρόπο λειτουργίας επανάληψης: ενός κομματιού, όλων των κομματιών ή τυχαίας αναπαραγωγής. Πατήστε και κρατήστε για 3 δευτερόλεπτα το κουμπί play/παύση του εμπρόσθιου πάνελ για να φτάσετε στην ίδια πράξη.

5. Αν θέλετε να επαναλάβετε αναπαραγωγή ορισμένου αποσπάσματος ενός κομματιού, πατήστε και κρατήστε για 3 δευτερόλεπτα το κουμπί REPEAT έως να φωτιστεί το σύμβολο P-A στην οθόνη για να επιλέξετε αρχή του αποσπάσματος· επομένως πατήστε και κρατήστε για 3 δευτερόλεπτα το κουμπί REPEAT έως να φωτιστεί το σύμβολο P-b στην οθόνη για να επιλέξετε τέλος του αποσπάσματος. Η συσκευή θα επαναλάβει το επιλεγμένο απόσπασμα. Πατήστε και κρατήστε το κουμπί REPEAT έως να φωτιστεί το σύμβολο P-E στην οθόνη· αυτό θα προκαλέσει ακύρωση της λειτουργίας επανάληψης.

6. Κατά αναπαραγωγή των αρχείων MP3 πατήστε για λίγο το κουμπί EQ του τηλεχειριστή για να επιλέξετε τον προγραμματισμό του εξομοιωτή γραφικών:
NORMAL/ROCK/POP/CLASS/JAZZ/BASS.

Παρατηρήσεις:

- Δεν προτείνεται να χρησιμοποιήσετε το καλώδιο επέκτασης USB διότι αυτό επηρεάζει ποιότητα του σήματος ήχου και δημιουργεί διαταραχές (θόρυβος).
- Η συσκευή αυτόματα θα αναγνωρίσει τα αρχεία μόνο μετά τη σύνδεση της μνήμης USB ή την ένθεση της κάρτας microSD.

Χειρισμός εξόδου AUX IN (συνδέσεις Mp3)

Συνδέστε ένα φικς του παραδεδομένου καλωδίου στερεό 3,5 mm--3,5 mm στην υποδοχή AUX IN του πίσθθιου πάνελ της συσκευής και το δεύτερο φικς στην εξωτερική συσκευή αναπαραγωγής (π.χ. συσκευή αναπαραγωγής MP3). Ο τρόπος λειτουργίας της συσκευής αναπαραγωγής θα αλλαχτεί αυτόματα στο AUX IN. Επιλέξτε τη μουσική στην εξωτερική συσκευή αναπαραγωγής και αρχίστε την αναπαραγωγή της. Το μεγάφωνο θα αναπαραγάγει τη μουσική.

Χειρίζετε τη συσκευή αναπαραγωγής συνδεδεμένη στην υποδοχή AUX IN με τα κουμπιά της. Στον τρόπο λειτουργίας AUX IN μπορείτε να χρησιμοποιήσετε το πόμολο ρύθμιση έντασης ήχου και το κουμπί αναπαραγωγής/παύσης.

Προδιαγραφές:

Πηγή τροφοδοσίας: DC IN 5V / 600mA

3.7V / 1800mA (χωρητικότητα μπαταρίας)

RMS Ισχύς εξόδου: 2 x 2,5 W RMS.

Συχνότητα FM: 87,5 ~ 108,0 MHz.

Ονομαστικά στοιχεία USB: 150 mA

Λήψη ισχύος: 9,5 W

Λήψη ισχύος στον τρόπο αναμονής: <0,5 W

Ρυθμίσεις εργοστασίου:

Χρόνος συστήματος: 00:00

Τύπος ώρας: 24 ώρες.

Χρόνος κατάστασης ύπνου: απενεργοποιημένος

Χρόνος διάρκειας συναγερμού: 5 λεπτά

Ένταση ήχου: 15

(Οι προδιαγραφές μπορεί να μεταβληθούν χωρίς προγενέστερη προειδοποίηση.)

Επίλυση προβλημάτων

1. Η οθόνη δεν ενεργοποιείται.
 - a. Ελέγξτε αν η συσκευή είναι σωστά συνδεδεμένη με το συνεχές ρεύμα.
 - b. Πατήστε και κρατήστε για 3 δευτερόλεπτα το κουμπί τροφοδοσίας για να ενεργοποιήσετε τη συσκευή.
 - c. Αν το πρόβλημα μην εξαφανιστεί, παρακαλούμε να επικοινωνήσετε με το τοπικό σέρβις.

2. Μην ικανοποιητική ποιότητα ήχου του ραδιοφωνικού σταθμού.
 - a. Για να λάβετε καλύτερη λήψη, πρέπει να τοποθετήσετε τη συσκευή δίπλα σε ένα παράθυρο.
 - b. Συντονιστείτε σε ένα άλλο ραδιοφωνικό σταθμό.
 - c. Αν το πρόβλημα μην εξαφανιστεί, παρακαλούμε να επικοινωνήσετε με το τοπικό σέρβις.

3. Μην ικανοποιητική ποιότητα ήχου κατά αναπαραγωγή από τη μνήμη USB ή την κάρτα microSD.
 - a. Επιβεβαιωθείτε ότι η μνήμη USB και η κάρτα microSD είναι κατάλληλα συνδεδεμένα/τοποθετημένα.
 - b. Αν το πρόβλημα ακόμη υπάρχει, απενεργοποιήστε και ενεργοποιήστε τη τροφοδοσία του αναπαραγωγέα με ραδιόφωνο.
 - c. Αν το πρόβλημα μην εξαφανιστεί, παρακαλούμε να επικοινωνήσετε με το τοπικό σέρβις.

OHUTUST KÄSITLEV OLULINE TEAVE



HOIATUS
ELEKTRILÖÖGI OHT
MITTE AVADA



Ohutust käsitlev oluline teave

Hoiatus:

Elektrilöögi ohu vähendamiseks ei tohi seadme katet ega tagumist osa lahti monteerida. Seadmes ei ole kasutajapoolseks iseseisvaks parandamiseks ette nähtud elemente. Seadme hoolduse ja parandamisega tegelevad ainult teeninduse kvalifitseeritud töötajad.

Graafiliste sümbolite selgitus:



Välgunoole sümbol võrdkülgses kolmnurgas hoiatab kasutajat seadme sees esinevast isoleerimata „ohtlikust pingest“, mis võib saavutada elektrilöögi ohuga ähvardava tugevuse.



Hüüumärk võrdkülgses kolmnurgas hoiatab kasutajat sellest, et antud hetkel edastatakse seadmega kaasas olevas dokumendis seadme teenindust ja hooldust käsitlevat olulist teavet.

Enne seadme teenindamise alustamist palume käesolev juhend, selle funktsioonidega tutvumiseks ja sihtotstarbeliseks kasutamiseks, läbi lugeda. See tagab seadme kauakestva, riketeta teeninduse ja kasutusrõõmu.

Oluline informatsioon

- Teenindusjuhend ja ohutust käsitlev teave tuleb edaspidiseks kasutuseks säilitada.
- Ei tohi lasta tekkida olukorral, kui seadmele või selle sisemusse tilgub vesi.
- Samuti ei tohi seadet kasutada niisketes kohtades, nagu nt vannituba.
- Antud seadet ei tohi paigaldada järgnevatesse kohtadesse:
- Mis on avatud päikesekiirguse vahetule toimele või radiaatorite lähedusse.
- Asetada muu, soojust eraldava, stereofoonilise varustuse peale.
- Blokeerides ventilatsiooni või tolmusesse kohta.
- Pidevale vibratsioonile allutatud kohtadesse.
- Kõrge niiskustasemega kohtadesse.
- Seadet ei tohi asetada küünalde või avatud tule lähedusse.
- Seadet võib kasutada ainult käesolevas juhendis kirjeldatud viisil.
- Enne toite esimest sisselülitamist tuleb veenduda, et toide oleks õigesti ühendatud.
- USB mälu ühendatakse vahetult või kuni 25 cm pikkuse USB pikendusjuhtmega.

Ohutuse seisukohalt ei tohi korpuseid lahti võtta ega üritada seadme sisemusse tungida. Seadet võivad parandada ainult teeninduse kvalifitseeritud töötajad.

Seadet ei tohi lahti keerata ega selle korpust avada, sest selles ei ole kasutaja poolt parandatavaid osi. Seadme hoolduse ja parandamisega tegelevad ainult teeninduse kvalifitseeritud töötajad.

OHUTUST KÄSITLEV OLULINE TEAVE

- 1. Lugada juhend läbi** – enne seadme kasutamist alustamist tuleb kogu teenindusjuhend ja ohutust käsitlev teave läbi lugeda.
- 2. Säilitada juhend** – kasutus- ja teenindusjuhend tuleb edaspidiseks kasutuseks säilitada.
- 3. Järgida hoiatusi** – toimida kooskõlas kõikide seadmel paiknevate hoiatuste ja teenindusjuhendiga.
- 4. Järgida juhiseid** – toimida kooskõlas teenindusjuhendi ja kasutajale mõeldud juhistega.
- 5. Paigaldus** – paigaldada seade kooskõlas tootja juhistega.
- 6. Toiteallikad** – seadme toiteks peab kasutama ainult toitekaabli märgistustel antud parameetritega allikaid. Juhul kui kasutaja ei ole kindel kodus oleva toite liigis, peab ta ühendust võtma seadme müüja või kohaliku elektrienergia tarnijaga.
- 7. Toite maandus ja polaarsus** – seade ei pea olema maandatud. Vältimaks tihvtide või klemmide paljastumist veenduda, et pistik oleks võrgupesusa või pikendusse sisestatud lõpuni. Mõned seadme versioonid võivad olla varustatud vahelduvvoolu polaarse pistikuga (üks tihvt laiem). Selliseid pistikuid võib sisestada võrgupesasa ainult ühel viisil. See on kaitsefunktsioon. Kui pistikut ei saa pesa sisestada tuleb proovida seda pöörata. Kui pistik ei sobi ka siis pesaga tuleb elektrikult tellida selle väljavahetamine. Polaarselt pistikult ei tohi kaitseid eemaldada. Kasutades muud pikendusjuhet või toitekaablit, kui seadmega koos tarnitavat, peavad neil olema asjakohased pistikud ja antud riigis nõutav ohutustunnistus.
- 8. Toitekaabli kaitse** – toitekaabel tuleb vedada nii, et selle peal ei oleks võimalik kõndida, seda suruda või asetatud esemetega vigastada. Pöörata erilist tähelepanu pistikutele, võrgupesadele ja kohtadele, kus kaabel läbi veetakse.
- 9. Ülekoormamine** – seinakontakte, pikendusjuhtmeid ja vargapesasid ei tohi üle koormata, sest see ohustab tulekahju puhkemise või elektrilöögiga.
- 10. Ventilatsioon** – seadet tuleb korralikult ventileerida. Seadet ei tohi asetada voodile, diivanile või muudele sarnastele pindadele. Seadet ei tohi katta laualinade, salvrätikute, ajalehtede jms.
- 11. Soojus** – mitte asetada seadet soojusallikate, nagu radiaatorid, kiirgurid, ahjud või muud soojust eritavad seadmed (ka võimendid), lähedale. Mitte asetada seadmele põlevaid küünlaid ja muid avatud tule allikaid.
- 12. Vesi ja niiskus** – tulekahju või elektrilöögi ohu vähendamiseks ei tohi seadet vihma, vee ja niiskuse vahetule toimele, nagu nt saunas või vannitoas, allutada. Mitte kasutada käesolevat seadet vee, näiteks vanni, kraanikausi, köögivalamu või pesupali, läheduses, niiskes keldris või basseini juures (või sarnastes kohtades).
- 13. Esemed ja vedelikud seadmes** – läbi seadme avade ei tohi sisse suruda mingeid esemeid, sest need võivad kokku puutuda ohtliku pinge punktidega, mis omakorda võib põhjustada tulekahju või elektrilöögi. Mitte mingil juhul ei tohi seadme pindadele mingeid vedelikke kallata. Seadmele ei tohi asetada vedelikke sisaldavaid esemeid.

- 14. Puhastamine** – enne puhastamist tuleb seade alati võrgupesast lahti ühendada. Kõlari ümbrusest võib tolmu eemaldada kuiva lapiga. Kasutades puhastamiseks aerosooli ei tohi pritsimisvoogu suunata vahetult seadmele vaid lapile. Tuleb jälgida, et ajamiüksused kahjustusi ei saaks.
- 15. Täiendav varustus** – keelatud on kasutada tarvikuid, mis ei ole tootja poolt lubatud, sest võivad osutada ohuallikateks.
- 16. Tarvikud** – seadet ei tohi asetada ebastabiilsele kärule, alusraamile, statiivile, tugialusele või lauale. Seade võib ümber kukkuda ja saada kahjustusi ning vigastada tõsiselt last või täiskasvanut. Kasutada ainult tootja poolt määratletud või koos seadmega müüdavaid kärusid, alusraame, statiive, tugialuseid või laudu. Seadme paigaldust tuleb teostada kooskõlas tootja juhistega, kasutades tootja poolt soovitatud paigalduskomplekti.
- 17. Seadme teisaldamine** – kärule paigutatud seadet tuleb sõidutada väga ettevaatlikult. Äkiline pidurdamine, ülemäärane jõud või ebasane pind võivad põhjustada käruga seadme ümbermineku.
- 18. Seadme mittekasutamise periood** – toitekaabel tuleb äikesetormide ajal või kui seadet pikema aja jooksul ei kasutata võrgupesast lahti ühendada.
- 19. Teenindus** – keelatud on seadme ülevaatust omakäelisel läbi viia. Avatud katted võivad põhjustada kokkupuudet ohtliku pingega ja osutada ohtlikuks. Seadme hoolduse ja parandamisega tegelevad ainult teeninduse kvalifitseeritud töötajad.
- 20. Kui seadet ei kasutata**, tuleb selle pistik võrgupesast lahti ühendada. Toiteallikaga ühendatuna on seade ooterežiimis ja ei ole täielikult välja lülitatud.
- 21. Varuosad** – osade väljavahetamisel tuleb kontrollida kas teeninduse töötaja on kasutanud tootja poolt soovitatud varuosi või kas osad on originaalosadega identsed. Väljavahetamine kinnitamata osade vastu ohustab tulekahju puhkemise, elektrilöögi ja muude turvariskidega.
- 22. Peakaitsmed** – seadme alaliseks tulekahjuvastaseks kaitseks tuleb kasutada õiget tüüpi ja asjakohaste parameetritega kaitsmeid. Antud pingela kaitsmete parameetrid on märgitud seadmele.
23. Helitugevust ei tohi muusikapala vaikse osa kuulamisel või audio sisendsignaali puudumisel tõsta. Vastasel juhul võib signaali äkiline tugevnemine kõlari kahjustada.
24. Seadme toiteallikast täieliku lahtiühendamise ainsaks viisiks on toitekaabli toitepesast või seadmest eemaldamine. Võrgupesaga või toitekaabli seadme sisend peavad toote kasutamise käigus alati juurdepääsetavad olema.
25. Seade tuleb paigutada võrgupesaga või pikendusjuhtme lähedusse nii, et need oleks alati juurdepääsetavad.
26. Seadme keskkonna maksimaalne temperatuur võib olla kuni 35°C.
- 27. Elektrostaatilisi lahendusi puudutavad juhised** – kui seadme töö on häiritud elektrostaatilistest lahendustest tuleb see välja lülitada ja seejärel uuesti sisse lülitada või teise kohta ümber tõsta.

28. Patareid

- a. Patareisid ei tohi allutada ülemäärase soojuse, nagu nt päikesekiired, tuli jms, toimele.
- b. Patareide utiliseerimisel tuleb pöörata tähelepanu keskkonnakaitse aspektidele.
- c. Patareide kasutamist puudutav hoiatus: patareidel ei tohi lasta kuluda kuni lekkimiseni, mis võib põhjustada kehavigastusi ja seadme kahjustusi:
 - Patareide sisestamisel pöörata tähelepanu nende polaarsusele (+ ja -).
 - Ei tohi kasutada samaaegselt erinevaid patareisid — vanu ja uusi, standardseid ja alkaalpatareisid, jne.
 - Kui seadet pikema aja jooksul ei kasutata, tuleb patareid välja võtta.

ERP2 (elektrienergiaga seotud seadmed) puudutav märkus

Käeolev ökoprojektiga seade vastab vastab ökoprojektide nõudeid käsitleva KOMISJONI (EÜ) MÄÄRUSE nr 1275/2008 kontori- ja kodukasutuseks mõeldud seadmete väljalülitatuna ja ooterežiimis energiatarbimist puudutava direktiivi 2009/125/WE jõustava 2. etapi nõuetele.

HOIATUS

Seadet ei tohi kasutada piiratud füüsiliste, sensoorsete ja psüühiliste võimetega või seadmega töötamise kogemusi või teadmisi mitte omavad inimesed (sealhulgas lapsed), kui nad ei viibi nende ohutuse eest vastutavate isikute järelevalve all või kui neid ei ole seadme ohutu kasutamise teemal instrueeritud. Kui seadet teenindavad lapsed, on nõutav täiskasvanute kohaolek; see võimaldab tagada seadme ohutu kasutuse.

1. Keelatud on töötavat seadet järelvalveta jätta! Kui seadet isegi lühikese aja jooksul ei kasutata, tuleb see välja lülitada.
2. Seadet ei tohi teenindada taimeriga välise kella vahendusel ega eraldiasetseva kaugjuhtimisega süsteemi abil.
3. Toitejuhtme kahjustuste korral ohtude vältimiseks peab väljavahetamist teostama tootja, autoriseeritud teeninduspunkt või muu, asjakohast kvalifikatsiooni omav isik.
4. Enne seadme teenindamise juurde asumist tuleb veenduda, et selle pinge vastab kohalikus toitevõrgus esinevale pingele.
5. Seadme ventilatsioonivavasid ei tohi kinni katta, nt ajalehtede, laualina, kardinatega, jms. Tuleb veenduda, et seadme kohal on vähemalt 20 cm vaba ruumi ja selle igal küljel — vähemalt 5 cm.
6. Ei tohi lasta tekkida olukorral kui seadmele või selle sisemusse tilgub või voolab vedelik ega tohi sellele asetada vedelikega täidetud esemeid, selliseid nagu vaasid.
7. Tulekahju või elektrilöögi vältimiseks tuleb seadet kaitsta kuumade kohtade, vihma, niiskuse ja tolmu toime eest.
8. Seadet ei tohi paigutada mingite veeallikate, nt kraanide, vannide, pesumasinate või ujumisbasseinide lähedusse. Seade tuleb asetada tasasele ja stabiilsele aluspinnale.
9. Seadet ei tohi allutada tugevate magnetväljade toimele.
10. Vahetult võimendile või vastuvõtjale seadet asetada ei tohi.
11. Seadet ei tohi viia niiskesse kohta, sest niiskusel on elektrilistele allüksustele kahjulik mõju.
12. Peale seadme külmast sooja või niiskesse kohta toomist võib mängija sees olevale läätsele tekkida niiskuse kondensatsioon. Sellises olukorras seade korralikult tööle ei hakka. Niiskuse aurumise võimaldamiseks tuleb sisselülitatud seade jätta umbes tunniks ajaks seisma. akse toitepinge lahti ühendamiseks ja see peab alati juurdepääsetav olema.

13. Seadet ei tohi puhastada keemiliste lahustitega, sest need võivad kahjustada korpuse lakikihti. Seadet pühitakse puhta, kuiva või vähesel määral niisutatud lapiga.
14. Pistiku seinakontaktist eemaldamisel tuleb alati tõmmata pistikust, mitte aga toitekaablist.
15. Kui sisselülitatud seadet kasutatakse sisselülitatud teleri läheduses võib see osutuda ekraanil joontena nähtavate häirete allikaks. Sõltub TV ülekande laineribast. See ei tähenda aga ei seadme ega teleri väärat töötamist. Selliste joonte ilmnmisel tuleb seade telerist eemale nihutada.
16. Võrgupistikut kasutatakse toitepinge lahti ühendamiseks ja see peab alati juurdepääsetav olema.
17. Võimalike kuulmiskahjustuste vältimiseks ei tohi muusikat pikemat aega valjult kuulata.



TÄHELEPANU



Deklaratsioon

Blaupunkt Competence Center 2N-Everpol Sp. z o.o. teavitab käesolevaga, et seade vastab direktiivi 2014/53 / EL nõuetele ja selle muudele asjakohastele sätetele. Täielik vastavusdeklaratsioon asub leheküljel www.blaupunkt.com toote järjehoidjas.

Vastutav ettevõtte: 2N-Everpol Sp. Z O.O.

Puławska 403A, 02-801 Varssavi, Poola

Telefon: +48 22 331 99 59, e-mail: info@everpol.pl



Toode on toodetud kõrgkvaliteetsetest taastootmisesse suunatavatest ja taaskasutatavatest materjalidest ning allüksustest.



Seadmel paiknev läbitõmmatud prügikorvi sümbol tähendab, et toode on hõlmatud Euroopa direktiivi 2012/19/EU sätetega. Tutvuda kohaliku süsteemi elektriliste ja elektrooniliste jäätmete käitlemist puudutavate nõuetega. Toimida kooskõlas kehtivate eeskirjadega. Käesolevat toodet ei tohi ära visata koos tavaliste olmejäätmetega. Vana toote õige kõrvaldamine väldib potentsiaalseid looduskeskkonnale ja inimestervisele kahju tekitavaid tagajärgi.



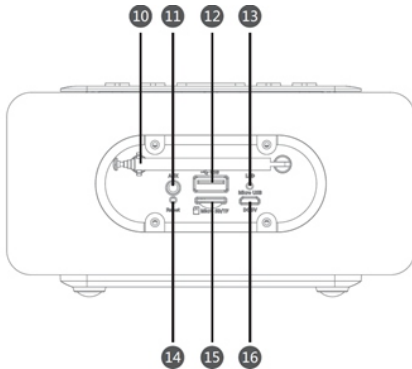
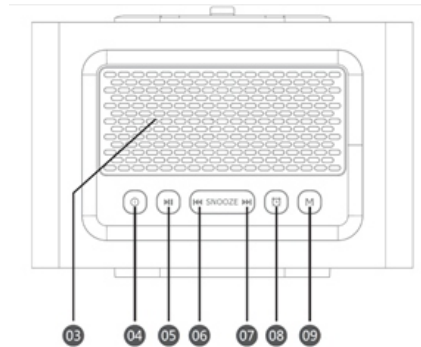
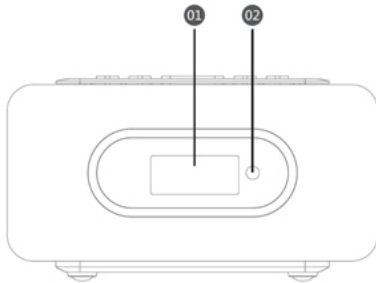
Seade on varustatud Euroopa direktiiviga 2013/56/EU hõlmatud patareidega. Patareide äraviskamine koos kodumajapidamisjäätmetega on keelatud. Tutvuda patareide eraldiasetsevalt kogumist käsitlevate kohalike eeskirjadega, sest õige utiliseerimine väldib potentsiaalseid looduskeskkonnale ja inimestervisele kahju tekitavaid tagajärgi.

Looduskeskkonna kaitset käsitlev teave

Pakend sisaldab ainult vajalikke elemente. Tehtud on kõik endast olenev, et kolm koostismaterjali oleks hõlpsasti eraldatavad: papp (kast), polüstüreenvaht (seesmine kaitse) ja polüetüleen (kotid, kaitsepooغن). Toode on toodetud materjalidest, mida saab suunata taastootmisesse ja peale nende eriotstarbelise ettevõtte poolt demonteerimist, uuesti kasutada. Järgida pakendmaterjalide, patareide ja kasutatud seadmete utiliseerimist käsitlevaid kohalikke ettekirjutusi.

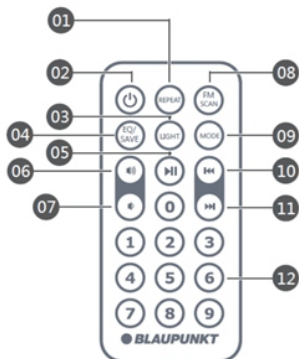
Materjalide salvestamiseks ja esitamiseks võib vaja minna nõusolekut. Tutvuge autoriõiguse ja esinejate/kunstnike õiguste seadusega.

Juhtelementide asetus



- | | |
|---|---|
| 01 - Displei. | 02 - Kaugjuhtimisandur. |
| 03 - Kõlar. | 04 - Toitenupp. |
| 05 - Nupp Play / Pause (Taasesitamine / Paus) võimaldab taasesitamist / peatamist ja heli välja lülitamist. | |
| 06 - Nupp „eelmine”/ helitugevus – eelmise raja valiku ja helitugevuse reguleerimise nupp. | |
| 07 - Nupp „järgmine”/ helitugevus + järgmise raja valiku ja helitugevuse reguleerimise nupp. | |
| 08 – Kella nupp. | 09 - USB / microSD / FM / AUX IN taasesitamise režiimi nupud. |
| 10 - Antenn FM. | 11 - AUX IN pesa. |
| 12 - USB-port. | 13 – Toite näidik LED. |
| 14 – Süsteemi taaskäivitamine. | 15 – microSD kaardi pesa. |
| 16 - DC5V toitepesa. | |

Kaugjuhtimispuult



01— Kordamise nupp (korda kõike, juhuslikult ja korda üks kord).

02— Toite sisse-, väljalülitamise nupp.

03— Nupp LIGHT taustvalguse heleduse reguleerimiseks.

04— Nupp EQ/SAVE graafilise korrektori seadistuste valikuks (töötab ainult USB-mälu/microSD taasesitamise režiimil).

05— Nupp Taasesitamine/paus.

06— Helitugevuse suurendamine.

07— Helitugevuse vähendamine.

08— FM skaneerimise nupp.

09— Signaali allika valiku töörežiimi nupp.

11— Järgmise pala nupp.

10— Eelmise pala nupp.

12— Numbritega nupud (0–9).

Tähelepanu!

a. Enne kaugjuhtimispuuldi kasutama hakkamist tuleb kontrollida, kas sellesse on paigaldatud patarei Cr2025 õigete poolustega.

b. Enne kaugjuhtimispuuldi kasutamist tuleb sellelt eemaldada isoleerikile.

c. Kasutatud patareid tuleb visata ära selleks ettenähtud mahutitesse. Teavet patareide taaskasutamise kohta võib saada kohalikult omavalitsuselt.

d. Kaugjuhtimispuuldi tööraadius on 5 meetrit (ilma tõketeta seadmete vahel). Suunake kaugjuhtimispuult eesmisel paneelil paikneva anduri suunas.

Seade seadistamine ning sisse/välja lülitamine

DC toide: Ühendage seadmele lisatud USB-juhe võrguadapteriga ja juhtme teine ots microUSB-pesaga seadme tagapaneelil. Seejärel ühendage võrguadapter seinakontakti. Pärast õnnestunud ühendamist lülitub seadmel sisse punane LED märgutuli.

Aku laadimine: seade alustab laadimist pärast selle ühendamist alalisvoolu allikaga.

Tagapaneelil olev LED märgutuli muutub roheliseks juhul, kui seade on täis laaditud. Aku laadimise taset on võimalik kontrollida, jälgides displei paremal üleval nurgas olevat ikooni. Seade lülitub välja automaatselt, kui aku on tühjaks saanud. Sellisel juhul tuleb seade ühendada laadima.

Seadme sisse- ja välja lülitamine: Seadme sisse/välja lülitamiseks vajutage ja hoidke 2 sekundit all seadme ülemisel paneelil olevat nuppu. Lühike ülemisel paneelil või puldil olevale toitenupule vajutamine võib lülitada sisse / välja standby režiimi (kella kuvamine, ilma heli väljumiseta). Pärast toite sisselülitumist tekib displeile taustvalgus, seejärel võib alustada teiste valikutega.

Märkused:

- a. Lisatud USB-juhtmel on kaks pistikut — universaalne USB ja microUSB. Universaalset USB pistikut saab kasutada seadme ühendamiseks toiteadapteriga, microUSB alalisvooluga ühendamiseks seadme pesaga.
- b. Seadet on võimalik toita ainult sellele lisatud adapteriga või identsete nimiparameetritega adapteriga.
- c. Pärast toite välja lülitamist toitenupu kasutamisega seadme ülemisel paneelil ei ole seadet võimalik sisse lülitada kaugjuhtimispuldiga, kuna toide on täielikult välja lülitatud. Seadme uuesti sisse lülitamiseks vajutage uuesti ülemisel paneelil olevale toitenupule.
- d. Seade võib taasesitada ka laadimise ajal. Ühekordse täieliku laadimistsükli ajaks on soovitatav seadme välja lülitamine.

Displei taustvalguse reguleerimine (hämardi)

Vajutage nupule "LIGHT" kaugjuhtimispuldil, et seadistada displei taustvalguse heledus tugeva / keskmise või nõrgana.

Helitugevuse reguleerimine:

Vajutage ja hoidke all ülemisel paneelil paiknevat eelmise või järgmise raja nuppu, et suurendada või vähendada helitugevust suure kiirusega; lühiajaline eelmise või järgmise raja nupule vajutamine võimaldab astmelist reguleerimist; jätke eelmise või järgmise raja nupud 3 sekundiks kasutamata, et kasutada neid uuesti eelmise või järgmise raja valiku funktsiooniga.

Kellaaja seadistused

Kell: Kella seadistuste juurde minemiseks lülitage seade sisse ja vajutage seejärel lühidalt Toitenupule. Kolmekordne, lühike „mode“ nupule vajutamine alustab kella seadistamist ja tundide arvud hakkavad displeil vilkuma; vajutage nupule eelmine / järgmine, et seadistada tundi; vajutage kella nupule, et minna üle minutite seadistamisele või vajutage vajadusel uuesti kella nupule, et minna tagasi tundide seadistamise juurde; vajutage nupule eelmine / järgmine, et seadistada minutid , seejärel vajutage lühidalt toitenupule, et lõpetada kellaaja seadistused.

Äratus: Äratuse seadistamise juurde minekuks lülitage seade sisse, seejärel vajutage lühidalt toitenupule. Lühike nupule „mode“ vajutamine alustab äratuse 1 seadistamist, 1 äratuse ikoon (kell numbriga 1) süttib; vajutage nupule eelmise / järgmise, et seadistada tunde: vajutage kella nupule, et minna üle minutite seadistamisele või vajutage vajadusel uuesti kella nupule, et minna tagasi tundide seadistamise juurde; vajutage nupule eelmise / järgmise, et seadistada minuteid; vajutage kella nupule, et minna üle äratuse allika valikule, vajutage nupule eelmise / järgmise, et valida äratuse allikana helisignaali / USB / microSD / raadio; äratuse seadistamise kinnitamiseks ja lõpetamiseks vajutage lühidalt taasesitamise / pausi nupule ja toitenupule.

Äratuse nr 2 seadistamisel vajutage „mode“ nupule kahekordselt, et käivitada seadistuste programm. Edasine protseduur on sama, kui äratuse nr 1 seadistamisel.

Nõuanded:

- a. Kell ja äratus toimivad, kui seadet toidetakse akutoitega või see on ühendatud võrgutoitega. Pikaajalise seadme kasutamise korral soovitage võrgutoite ühendamist.
- b. Äratuskella aktiveerimisel pöörake äratuse heli välja lülitamiseks vajutage suvalisele nupule, v.a nupp eelmise / järgmise. Äratus lülitub uuesti sisse järgmisel päeval samal kellaajal. Äratuse kestus on 5 minutit ja see lülitub edasise töö puudumise korral automaatselt välja.
- c. Pärast äratuse aktiveerumist vajutagel lühidalt uinaku nupule, et minne edasi uinaku režiimile. Äratus lülitub uuesti sisse 5 minuti pärast. Vajutage suvalisele nupule pööra helitugevuse pöördnuppu.
- d. Lühike, ühekordne kella nupule vajutamine ülemisel paneelil võib põhjustada äratuse nr 1 sisse või välja lülitamist; lühike, kahekordne kella nupule vajutamine võib põhjustada äratuse nr 2 sisse või välja lülitamist; selle pikemaajaline all hoidmine võib lülitada sisse ja välja samaaegselt nii äratuse 1 kui 2.
- e. Kui valite äratuse allikateks / microSD / raadio, vajutage lühidalt taasesitamise / pausi nupule, et kuvada, milline pala või raadiojaam lülitub äratuse ajal sisse, keerake vajutage lühidalt nupule eelmise / järgmise, et vahetada pala või raadiojaama, äratuse seadistuste juurde tagasi pöördumiseks vajutage taasesitamise / pausi nupule.
- f. Kui valite äratuse allikaks taasesitamise, tähendab see, et seade lülitab automaatselt sisse raadio / USB / microSD mängimise eelnevalt seadistatud ajal. Lühike taasesitamise / pausi nupule vajutamine võimaldab äratusallika ümberlülitust raadio / USB / microSD vahel. Seade lülitub sisse 120 minutiks ja lülitub välja automaatselt.
- g. Kontrollige, kas muusikaga USB / microSD kandjad on korrektselt ühendatud, kui valite äratuse allikaks USB / microSD.
- h. Äratust on võimalik kasutada ka siis, kui seade on välja lülitatud (displei on välja lülitatud).

Puhkefunktsioon Sleep: Sleep: Kui seade on ooterežiimil (displeil kuvatakse kellaaega), aktiveerib lühiajaline vajutamine nupule play / pause puhkerežiimi, vajutage lühidalt nupule eelmine / järgmine, et seadistada puhkefunktsiooni kestus, vastavalt 15/30/45/60/75/90/120 minutit või välja lülitatud olekuga, vajutage lühiajaliselt nupule taasesitamine / paus, et kinnitada valikut. Heli taasesitamise režiimil (raadio / USB / microSD / Bluetooth / aux) lülitub heli välja automaatselt pärast eelnevalt seadistatud aega. Pärast ooterežiimile tagasiminekut vajutage lühidalt nupule taasesitamine / paus, et kontrollida, kui palju aega on jäänud puhkefunktsiooni lõpuni.

FM raadio kasutamine

Seadmepoolne lahtivõetav antenn Fm raadio kuulamiseks. Enne FM raadio kasutamist tuleb antenn täielikult lahti teha ja paigaldada raadio akna lähedusse, et saavutada parem raadiosignaal.

Lülitage sisse seadme toide ja vajutage ülemisel või kaugjuhtimispuldil paiknevale nupule „mode“ kuni kuvatakse raadio režiimi.

1. Automaatne jaamade otsimine ja salvestamine: automaatse FM raadiojaamade skaneerimise ja salvestamise eesmärgil vajutage lühidalt nupule FM SCAN või vajutage ja hoidke 3 sekundit all kaugjuhtimispuldil või ülemisel paiknevat nuppu taasesitamine/paus. Seade võimaldab maksimaalselt 60 jaama salvestamist. oksva jaama salvestamiseks vajutage kaugjuhtimispuldil olevale nupule SAV.

2. Automaatne skaneerimine: vajutage ja või kaugjuhtimispuldil paiknevalt eelmise või järgmise pala nupule, et automaatselt skaneerida saadaval olevaid jaamu sageduste vahemiku piires. Seade peatub ja taasesitab automaatselt saadaval olevaid raadiojaame. Jooksva jaama salvestamiseks vajutage kaugjuhtimispuldil olevale nupule SAV.

3. Manuaalne raadiojaamade salvestamine: Automaatse skaneerimise abil valige välja lemmikjaam ja seejärel vajutage nupule SAVE kaugjuhtimispuldil, et sisestada see mällu. Vajutage lühiajaliselt nupule "REPEAT" kaugjuhtimispuldil, seejärel vajutage nupule helitugevus+ või – kaugjuhtimispuldil, et muuta raadiosagedust 0,1 MHz võrra, vajutage nupule "SAVE", et salvestada jooksev jaam manuaalselt; pärast 10 sekundi möödumist taastavad helitugevuse nupud volume +/- oma helitugevuse reguleerimise funktsiooni automaatselt.

4. Nõrga signaaliga automaatselt salvestatud jaamade eemaldamine: juhul, kui automaatse salvestamise ajal säilitab seade mällu nõrga signaaliga jaamad, on võimalik nende kõrvaldamine. Selleks on vaja antud jaama mängimise ajal vajutada kaugjuhtimispuldil pikalt nupule „0“. Jaam eemaldatakse ja selle asemele ilmub järgmine seadistatud jaam.

5. Antud jaama otsimine: kindla sagedusega jaama seadistamiseks võib vajutada numbrilistele nuppudele kaugjuhtimispuldil. 104,3 MHz sagedusega jaama seadistamiseks vajutage numbrilistele nuppudele 1-0-4-3 kaugjuhtimispuldil. Seade ühildub ja mängib antud raadiojaama.

6. Salvestatud jaamade valik: vajutage lühidalt eelmise või järgmise pala nupule esipaneelil või kaugjuhtimispuldil, et valida salvestatud jaam; jaama võib valida ka numbriliste nuppudega kaugjuhtimispuldilt. Salvestatud jaama nr 12 kuulamiseks vajutage numbrilisi nuppe 1-2 kaugjuhtimispuldil; kuulete raadiojaama.

USB-mälult/microSD kaardilt kuulamine

Enne MP3 taasesitamist tuleb kontrollida, kas USB-mälu on ühendatud USB pesaga või on sisestatud microSD kaart seadme taga paiknevasse pesa. Mäluseadmetele peavad olema kopeeritud MP3-failid. Antud seade toetab mälu mahuga kuni 32 GB.

1. Vajutage nupule MODE või M, et minna üle USB-mälult või microSD kaardilt esitamise režiimile. Seade avastab kohe muusika ja alustab selle esitamist pärast failide koguarvu kuvamist.
2. Vajutage lühidalt eelmise või järgmise pala nupule, et valida eelmine või järgmine pala: vajutage ja hoidke all eelmise või järgmise pala nuppu kaugjuhtimispuldil, et kerida pala kiiresti tagasi või edasi.
3. Vajutage numbrilise nuppe kaugjuhtimispuldil, et valida ja taasesitada antud numbriga pala.
4. Vajutage lühidalt nupule REPEAT kaugjuhtimispuldil, et valida kordamise režiim: ühe, kõikide või juhusliku kordamise režiim. Vajutage ja hoidke 3 sekundit all esipaneelil paiknevat nuppu play/paus, kuna sama operatsiooni saavutamiseni.
5. Kui tahate korrata teatud pala fragmenti, vajutage ja hoidke 3 sekundit all nuppu REPEAT, kuni kuvatakse sümbolit P–A, et valida fragmendi algus; seejärel vajutage ja hoidke 3 sekundit all nuppu REPEAT nuppu REPEAT, kuni kuvatakse sümbolit P–b, et valida fragmendi lõpp. Seade hakkab kordama valitud fragmenti. Vajutage ja hoidke 3 sekundit all nuppu REPEAT, kuni kuvatakse sümbolit P–E; see põhjustab korduse funktsiooni tühistamist.
6. MP3-failide taasesitamise ajal vajutage lühidalt nupule EQ na kaugjuhtimispuldil, et valida graafilise korrektori seadistused: NORMAL/ROCK/POP/CLASS/JAZZ/BASS.

Märkused:

- a. Ei ole soovitatav USB pikendusjuhtme kasutamine, kuna see avaldab mõju audiosignaali kvaliteedile ja häirete (müra) tekkele.
- b. Seade loeb automaatselt faile pärast USB-mälu ühendamist või microSD kaardi sisestamist.

AUX IN sisendi kasutamine (Mp3 ühendused)

Ühenda üks lisatud stereofoonilise juhtme 3,5 mm–3,5 mm ots AUX IN pesasse seadme tagapaneelil, teine otsik välisesse mängijasse (nt MP3 mängijasse). Raadio töörežiim muutub automaatselt AUX IN režiimiks. Valige sobiv muusika välisel mängijal ja alustage selle taasesitamist. Kõlar esitab muusikat.

AUX IN sisendiga ühendatud mängijat kasutatakse selle nuppude abil. AUX IN režiimil võib kasutada helitugevuse reguleerimise pöördnuppu ja taasesituse/pausi nuppu.

Spetsifikatsioon:

Toiteallikas: DC IN 5V / 600mA

3.7V / 1800mA (patarei maht)

RMS Väljundvõimsus: 2 x 2,5 W RMS.

Sageduste vahemik FM: 87,5 ~ 108,0 MHz.

Nimiaandmed USB: 150 mA.

Energiatarve: 9,5 W

Energiatarve ooterežiimil: <0,5 W

Vabrikuseadistused:

Süsteemne aeg: 00:00

Aja vorming: 24 tundi.

Puhkeaeg: välja lülitatud

Äratuse kestmise aeg: 5 minutit

Helitugevus: 15

Probleemide lahendamine

1. Displei ei lülitu sisse.

- Kontrollige, kas on korrektselt ühendatud alalisvooluga toide.
- Vajutage alla ja hoidke 3 sekundit toitenuppu, et seade välja lülitada.
- Kui probleem ei kao, võtke ühendust kohaliku teenindusega.

2. Raadiojaama heli halb kvaliteet.

- Parimaks vastuvõtuks tuleb seade panna akna lähedusse.
- Kasutage teist raadiojaama.
- Kui probleem ei kao, võtke ühendust kohaliku teenindusega.

3. Heli halb kvaliteet USB-mälult või microSD kaardilt taasesitamisel.

- Veenduge, kas USB-mälu ja microSD kaart on õigesti ühendatud/sisestatud.
- Kui probleem ei kao, lülitage välja ja sisse raadio toide.
- Kui probleem ei kao, võtke ühendust kohaliku teenindusega.

SVARBIOS SAUGOS INSTRUKCIJOS



SPĖJIMAS



ELEKTROS SMŪGIO
GRĖSMĖ DRAUDŽIAMA ATIDARYTI

Svarbios saugos instrukcijos

Įspėjimas:

Kad sumažintumėte elektros smūgio riziką, draudžiama išmontuoti įrenginio dangtelį ar galinę dalį. Įrenginyje nėra komponentų skirtų vartotojui savarankiškai taisyti. Techninė priežiūra ir remontas aptarnaujami tik kvalifikuoto techninio personalo.

Grafinių simbolių paaiškinimas:



Žaibo simbolis užbaigtas rodykle lygiakraščiame trikampyje įspėja vartotoją apie neizoliuotą "pavojingą įtampą" esančią įrenginio korpusė, kuri gali pasiekti dydį sukeltantį elektros smūgio pavojų.



Šauktuko ženklas lygiakraščiame trikampyje įspėja vartotoją, kad šiame punkte pateikiama svarbi informacija apie įrangos veikimą ir techninę priežiūrą dokumentuose pateikiamuose su įrenginiu.

Prašome perskaityti šias instrukcijas prieš pradėdant įrenginio naudojimą, kad susipažinti su jo funkcijomis ir naudoti jį taip, kaip numatyta. Tai užtikrins ilgalaikį įrenginio veikimą be gedimų ir jo naudojimo malonumą.

Svarbi informacijąspėjimas

- Privaloma išsaugoti šias naudojimo instrukcijas ir saugos informaciją būsimam naudojimui.
- Neleiskite skysčiams lašėti ar išsilieti ant įrenginio.
- Draudžiama taip pat naudoti jį drėgnose vietose, pvz. vonios kambaryje.
- Draudžiama įrengti šį įrenginį tokiose vietose:
- Vietos neapsaugotos nuo tiesioginių saulės spindulių ar šalia radiatorių.
- Dėti jį ant viršaus kitos stereofoninės įrangos, kuri išleidžia šilumą.
- Blokuojant ventiliaciją arba dulkėtoje vietoje.
- Vietose, kuriose vyksta nuolatinė vibracija.
- Vietose, kur yra didelė drėgmė.
- Draudžiama dėti įrenginį arti žvakių ar atviros liepsnos.
- Įrenginys gali būti naudojamas tik šiame vadove aprašytu būdu.
- Prieš įjungdami maitinimą pirmą kartą, įsitikinkite, kad srovės adapteris yra tinkamai prijungtas.
- USB atmintinė jungiama tiesiogiai arba su USB pratęsimo laidu iki 25 cm ilgio.

Dėl saugumo priešasčių, draudžiamas gaubtų išmontavimas bei įrenginio vidaus atskleidimas. Įrenginio remontas turėtų būti aptarnaujamas kvalifikuoto techninio personalo.

Draudžiama ardyti įrenginį bei atidarinti jo korpusą, nes jo viduje nėra jokių dalių, kurias galėtų naudotojas pataisyti. Techninė priežiūra ir remontas aptarnaujami tik kvalifikuoto techninio personalo.

SAUGOS INSTRUKCIJOS

1. Perskaitykite instrukcijas – prieš naudodami įrenginį perskaitykite visą naudojimo instrukciją ir saugos informaciją.

2. Išsaugokite instrukcijas – privaloma išsaugoti naudojimo ir valdymo instrukcijas būsimam naudojimui.

3. Laikykitės įspėjimų – privaloma laikytis visų prietaiso įspėjimų pateiktų ant įrenginio ir vadovautis naudojimo instrukcijomis.

4. Laikykitės instrukcijų – privaloma vadovautis naudojimo instrukcijomis bei nurodymais vartotojui.

5. Diegimas – nustatykite įrenginį pagal gamintojo instrukcijas.

6. Maitinimo šaltiniai – įrenginys turi būti maitinamas tik iš šaltinių, kurių parametrai nurodyti maitinimo laido žymenyse. Jei vartotojas nėra tikras, kokios energijos tipą turi namuose, turėtų susisiekti su savo įrenginio platintoju arba vietiniu elektros energijos tiekėju.

7. Maitinimo šaltinio įžeminimas arba poliarizacija – įrenginys neturi būti įžemintas. Privaloma įsitikinti, kad kištukas yra visiškai įdėtas į elektros tinklo lizdą arba pratęsimo laidą, kad išvengti kaiščių ar kontaktų ekspozicijos. Kai kuriose įrenginio versijose gali būti polarizuotas kintamosios srovės maitinimo kaištis (su vienu platesniu kaiščiu). Šis kištukas gali būti įjungtas į elektros tinklo lizdą tik vienu būdu. Tai apsaugos funkcija. Jei negalite įkišti kištuko į lizdą, pabandykite jį apsukti. Jei kištukas vis dar netelpa į lizdą, elektrikas turėtų jį pakeisti. Draudžiama nuimti apsaugos priemonės nuo polarizuoto kištuko. Jeigu naudojamas pratęsimo laidas ar maitinimo laidas kitokie nei pateikti kartu su įrenginiu, jie turėtų turėti tinkamus kištukus ir saugos sertifikatus reikalaujamam tam tikroje šalyje.

8. Maitinimo laido apsaugos priemonės – maitinimo kabeliai turi būti nuvesti taip, kad po juos negalėtumėte vaikščioti, jų prispausti ar prikirsti padėtais objektais. Atkreipkite ypatingą dėmesį į kištukus, maitinimo lizdus ir vietas, kuriose laidai išvesti iš įrenginio.

9. Perkrovimas – draudžiama perkrauti sieninius lizdus, pratęsimo laidus ir elektros skirstytuvus, nes tai gali sukelti gaisrą arba elektros smūgį.

10. Vėdinimas – įrenginys turi būti tinkamai vėdinamas. Draudžiama dėti įrenginį ant lovos, sofos ar ant panašių paviršių. Draudžiama pridengti įrenginį staltiesėmis, servetėlėmis, laikraščiais ir pan.

11. Šiluma – nedėkite įrenginio arti šilumos šaltinių, tokių kaip šildytuvai, radiatoriai, krosnys ar kiti prietaisai (įskaitant stipriklus), kurie gamina šilumą. Nedėkite ant įrenginio uždegtų žvakių ar kitokių atviros ugnies šaltinių.

12. Vanduo ir drėgmė – norėdami sumažinti gaisro ar elektros smūgio pavojų, saugokite įrenginį nuo tiesioginio lietaus, vandens ir drėgmės poveikio, tokio kaip pvz. saunoje ar vonioje. Nenaudokite šio įrenginio šalia vandens, pavyzdžiui, prie vonios, kriauklės, virtuvės ar kubelio, šlapiame rūsyje arba prie baseino (ar panašiose vietose).

- 13. Objektai ir skysčiai įrenginyje** – draudžiama kišti bet kokius daiktus per įrenginio angas, nes jie gali liestis su pavojingos įtampos taškais ir komponentais, dėl ko gali kilti gaisras arba įvykti elektros smūgis. Griežtai draudžiama išpilti bet kokius skysčius ant įrenginio paviršiaus. Draudžiama dėti ant įrenginio viršaus objektus, kuriuose yra skysčių.
- 14. Valymas** – prieš valydami visada išjunkite įrenginį iš elektros tinklo lizdo. Dulkes aplink garsiakalbį galima nuvalyti sausu skudurėliu. Jei valymui naudojamas aerozolis, nepartartina kreipti purškimo srauto tiesiai į prietaisą, bet ant skudurėlio. Būkite atsargūs, kad nesuadintumėte pavaros įtaisų.
- 15. Papildoma įranga** – draudžiama naudoti priedus, kurie nėra patvirtinti gamintojo, nes jie gali kelti pavojų.
- 16. Priedai** – draudžiama statyti įrenginį ant nestabilaus vežimėlio, stovo, trikojo, atramos ar stalo. Prietaisas gali apsversti ir susigadinti, bei sunkiai sužeisti vaiką ar suaugusį asmenį. Privaloma naudoti tik gamintojo nurodytus vežimėlius, stovus, trikojus, atramas ar stalus arba parduodamus kartu su įrenginiu. Įrenginio surinkimą privaloma atlikti pagal gamintojo instrukcijas naudodami gamintojo rekomenduojamą surinkimo komplektą.
- 17. Prietaiso perkėlimas** – ant vežimėlio padėtą įrenginį būtina stumti labai atsargiai. Staigus stabdymas, per didelė jėga arba netolygūs paviršiai gali sukelti vežimėlio išsivertimą kartu su įrenginiu.
- 18. Įrenginio nenaudojimo laikas** – atjunkite maitinimo laidą nuo elektros lizdo audros su žaibais metu arba jeigu įrenginys nebus naudojamas ilgą laiką.
- 19. Techninis aptarnavimas** – draudžiama savarankiškai bandyti asmeniškai naršyti įrenginį. Dangčio atidarymas gali sukelti kontaktą su pavojinga įtampa ir sukelti vartotojui kitus pavojus. Techninė priežiūra ir remontas aptarnaujami tik kvalifikuoto techninio personalo.
- 20. Kai įrenginys nenaudojamas**, atjunkite jo maitinimo kištuką nuo elektros lizdo. Kai prietaisas prijungtas prie maitinimo šaltinio, jis veikia budėjimo režime ir nėra visiškai išjungtas.
- 21. Atsarginės dalys** – keičiant dalis, įsitinkinkite, kad techninės priežiūros darbuotojas panaudojo gamintojo rekomenduotas atsargines dalis arba kad dalys yra identiškos originalioms dalims. Nepatvirtintų dalių panaudojimas sukelia gaisro, elektros smūgio pavojų ar kitus pavojus.
- 22. Pagrindiniai saugikliai** – kad prietaisas būtų nuolat apsaugotas nuo gaisro, naudokite tinkamo tipo ir parametru saugiklius. Saugiklių parametrai tam tikrame įtampos diapazone yra pažymėti ant įrenginio.
23. Draudžiama didinti garsumą klausydami nedidelio garsumo kūrinio dalies arba nesant įvesties audio signalui. Kitaip garsiakalbis gali sugesti jei signalo stiprumas sparčiai padidėja.
24. Vienintelis būdas visiškai atjungti įrenginį nuo maitinimo šaltinio tai ištraukti maitinimo laidą iš elektros srovės lizdo arba iš įrenginio. Naudojant įrenginį, visada turi būti prieinamas elektros tinklo lizdas arba maitinimo laido jėgimas į įrenginį.
25. Įrenginys turi būti dedamas šalia maitinimo tinklo lizdo arba pratęsimo laido taip, kad jis visada būtų prieinamas.

26. Didžiausia įrenginio aplinkos temperatūra tai 35°C.

27. Patarimai dėl elektrostatiinių iškrovų - jei prietaiso veiksmingumas yra veikiamas elektrostatiinių iškrovimų, išjunkite jį ir vėl įjunkite arba perkelkite įrenginį į kitą vietą.

28. Baterija

- Baterijos negali būti veikiamos per didelės temperatūros, pavyzdžiui, saulės spindulių, ugnies ir tt.
- Išmesdami baterijas, atkreipkite dėmesį į aplinkosaugos aspektus.
- Įspėjimas dėl baterijų naudojimo: norėdami išvengti baterijų nutekėjimo, dėl kurio galite sužaloti savo kūną ar sugadinti įrenginį:
 - Įdėdami bateriją atkreipkite dėmesį į jos poliarizaciją (+ ir -).
 - Nenaudokite skirtingų baterijų tuo pačiu laiku - senų ir naujų, standartinių ir šarminių baterijų ir kt.
 - Ilgesnį laiką nesinaudojant įrenginiu, išimkite iš jo baterijas.

Pastaba apie ERP2 (su energija susijusią įrangą)

Šis ekologinio projektavimo įrenginys atitinka Komisijos reglamento (EB) Nr. 1275/2008, kuriuo įgyvendinama Direktyva 2009/125/EB dėl nenaudojamų ir budėjimo režimo elektroninių prietaisų energijos vartojimo biure ir buities reikmėms, 2 etapui.

ĮSPĖJIMAS

Įrenginiu neturėtų naudotis asmenys (įskaitant vaikus), turintys mažesnes fizines, juslines ar psichines galimybes, ir asmenys, neturintys pakankamai žinių ir patirties, jei jie nėra prižiūrimi asmenų atsakingų už jų saugą, ir nebuvo jiems nurodyta, kaip saugiai naudoti įrenginį. Suaugusių asmenų buvimas reikalingas, jei vaikai naudoja prietaisą; tai užtikrins saugų įrenginio naudojimą.

- Niekada nepalikite veikiančio įrenginio be priežiūros. Išjunkite prietaisą, kai jis nenaudojamas, net trumpą laiką.
- Prietaiso negalima valdyti per išorinį laikrodį su sinchronizavimo grandinėmis arba per atskirą nuotolinio valdymo sistemą.
- Norėdami išvengti pavojaus maitinimo laido sužalojimo atveju, jį pakeisti turėtų gamintojas, įgaliotas aptarnavimo centras ar kitas kvalifikuotas asmuo.
- Prieš pradėdant įrenginio naudojimą patikrinkite, ar jo įtampa atitinka vietos maitinimo įtampą.
- Draudžiama uždengti prietaiso ventiliacijos angas, pvz. laikraščiais, staltiese, užuolaidomis ir pan. Įsitinkite, kad virš įrenginio yra ne mažiau kaip 20 cm laisvos vietos ir bent 5 cm iš kiekvienos jo pusės.
- Neleiskite, kad ant įrenginio nutekėtų ar išsilietų skystis, be to, nedėkite ant jo pripildytų skysčiais objektų, tokių kaip vazos.
- Norėdami išvengti gaisro ar elektros smūgio, apsaugokite prietaisą nuo karštų vietų, lietaus, drėgmės ir dulkių poveikio.
- Draudžiama statyti įrenginį arti bent kokių vandens šaltinių, pvz. čiaupų, vonių, skalbimo mašinų ar plaukiojimo baseinų. Įrenginį dėkite ant lygaus ir stabilaus paviršiaus.
- Saugokite įrenginį nuo stipraus magnetinio lauko.
- Draudžiama statyti įrenginį tiesiai ant stiprintuvo ar AV imtuvo.

11. Draudžiama statyti įrenginį drėgnoje vietoje, nes drėgmė neigiamai veikia elektrinius komponentus.
12. Kai įrenginys atnešamas iš šaltos į šiltą vietą arba į drėgną vietą, ant objektyvo, esančio grotuvo viduje, gali įvykti drėgmės kondensacija. Tokiu atveju įrenginys dirbs netinkamai. Palikite įrenginį maždaug vienai valandai, kad drėgmė išgaruotų.
13. Draudžiama valyti įrenginį cheminiais tirpikliais, nes jie gali pažeisti dengiamąjį laką. Prietaisą valykite švariu, sausu arba šiek tiek drėgnu skudurėliu.
14. Ištraukdami kištuką iš sieninio lizdo, visada traukite už kištuko, niekadus už maitinimo laido.
15. Jeigu įjungtas įrenginys naudojamas šalia įjungto televizoriaus, jis gali sukelti vaizdo iškreipimą linijos ekrane pavidalu. Tai priklauso nuo TV transliacijos bangų juostos. Tai nereiškia, kad įrenginys arba televizorius yra sutrikę. Jei matote tokias linijas, atitinkite įrenginį nuo televizoriaus.
16. Maitinimo kištukas naudojamas maitinimo įtampos atjungimui ir visada turėtų būti prieinamas.
17. Norėdami išvengti galimo klausos praradimo, ilgai neklausykite garsios muzikos.



DĖMESIO



Deklaracija

Šiuo Blaupunkt Competence Center 2N-Everpol Sp. z o.o. deklaruoja, kad šis įrenginys atitinka Direktyvos 2014/53 / ES reikalavimus ir kitas atitinkamas nuostatas. Visą atitikties deklaraciją galite rasti interneto svetainėje www.blaupunkt.com gaminio skyriuje.

Atsakingas subjektas 2N-Everpol Sp. Z o.o.

Puławska 403A, 02-801 Warszawa, Polska

Telefonas: +48 22 331 99 59, e. paštas: info@everpol.pl



Produktas pagamintas iš aukštos kokybės medžiagų ir komponentų, kuriuos galima perdirbti ir pakartotinai naudoti.



Jei ant jūsų įrenginio randasi išbrauktas šiukšliadėžės žymeklis, tai reiškia, kad gaminį reglamentuoja Europos direktyvos 2012/19/ES nuostatos. Privaloma susipažinti su vietos elektros ir elektroninių atliekų surinkimo sistemos reikalavimais. Privaloma laikytis vietinių taisyklių. Draudžiama išmesti šį įrenginį kartu su įprastomis buitinėmis atliekomis. Tinkamas senojo produkto pašalinimas užtikrins galimų neigiamų pasekmių aplinkai ir žmonių sveikatai prevenciją.



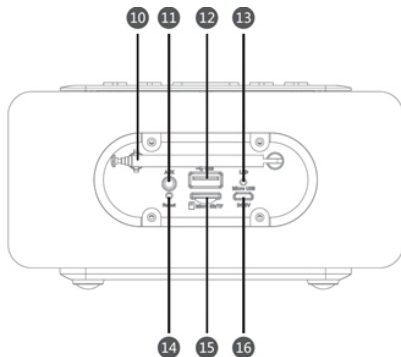
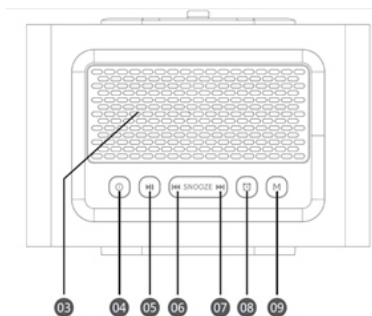
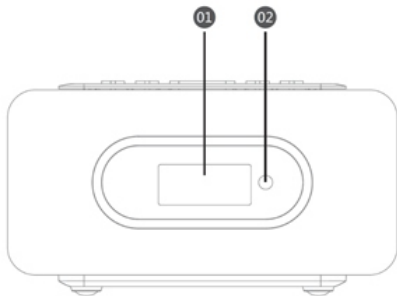
Šiame įrenginyje yra baterijos, kurioms taikoma Europos direktyva 2013/56/ES. Baterijas draudžiama išmesti kartu su buitinėmis atliekomis. Privaloma susipažinti su vietos atskirų medžiagų rinkimo reglamentus, nes dėl teisingo šalinimo bus išvengta galimų neigiamų pasekmių aplinkai ir žmonių sveikatai.

Informacija apie aplinkos apsaugą

Pakuotėje yra tik būtini elementai. Buvo imtasi visų pastangų, kad būtų galima lengvai atskirti tris pakuotės sudedamąsias dalis: kartoną (dėžė), polistirolo putplastį (apsauginė danga) ir polietileną (krepšeliai, apsauginis lakštas). Prietaisas pagamintas iš medžiagų, kurios gali būti perdirbamos ir pakartotinai panaudotos, kai jas išmontuoja specializuota įmonė. Privaloma laikytis vietinių pakavimo medžiagų, sunaudotų baterijų ir nereikalingų įrenginių šalinimo taisyklių.

Medžiagų įrašymui ir atkūrimui gali reikėti sutikimo. Žr. autorių teisių ir atlikėjų/artistų teisių įstatymą

Valdymo elementų išdėstymas



01 - Ekranas.

02 - Nuotolinio valdymo jutiklis.

03 - Garsiakalbis.

04 - Maitinimo mygtukas.

05 - Play / Pause (Atkūrimo / Pauzės) mygtukas įjungiantis atkūrimą / sustabdymą ir garso išjungimo funkciją.

06 - Mygtukas „ankstesnis“ / garsumas - ankstesnio takelio pasirinkimo ir garsumo reguliavimo mygtukas.

07 - Mygtukas „sekantis“ / garsumas + sekančio takelio pasirinkimo ir garsumo reguliavimo mygtukas.

08 - Laikrodžio mygtukas. 09 - USB / microSD / FM / AUX IN atkūrimo režimo mygtukas.

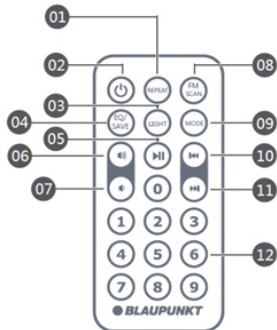
10 - FM antena. 11 - AUX IN lizdas.

12 - USB jungtis. 13 - LED maitinimo indikatorius.

14 - Sistemos atkūrimas. 15 - MicroSD kortelių lizdas.

16 - Maitinimo lizdas DC 5V.

Nuotolinio valdymo pultelis



- 01— Pakartojimo mygtukas (pakartoti viską, atsitiktine tvarka ir pakartoti vieną kartą).
 02— Maitinimo įjungimo ir išjungimo mygtukas.
 03— Mygtukas LIGHT apšvietimo ryškumo reguliavimui.
 04— Ekranu ekvalaizerio nustatymų pasirinkimo mygtukas EQ/SAVE (veikia tik atkūrimo režimu iš USB atmintinės/microSD kortelės).
 05— Atkūrimo/pauzės mygtukas. 06— Garsumo padidinimas.
 07— Garsumo sumažinimas. 08— FM skenavimo mygtukas.
 09— Darbo režimo mygtukas signalo šaltinio pasirinkimui.
 10— Ankstesnio kūrinio mygtukas. 11— Sekančio kūrinio mygtukas.
 12— Skaitmeniniai mygtukai (0–9).

Dėmesio!

- Prieš naudodamiesi nuotolinio valdymo pultu, būtinai įdėkite bateriją Cr2025 išlaikant poliarizaciją.
- Prieš naudodami nuotolinio valdymo pultą, nuimkite izoliacinę foliją.
- Naudotas baterijas utilizuokite šiam tikslui skirtuose konteneriuose. Informacija apie baterijų antrinį perdirbimą gali būti pateikta vietos valdžios institucijose.
- Nuotolinio valdymo pulto darbo diapazonas - 5 metrai (be trukdžių tarp įrenginių). Nukreipkite nuotolinį valdiklį į priekiniame skydelyje esantį jutiklį.

Įrenginio konfigūravimas ir įjungimas/išjungimas

DC maitinimas: Prijunkite komplektuojamąjį USB kabelį prie kintamosios srovės adapterio, o jo kitą USB kabelio galą prie maitinimo microUSB lizdo įrenginio galiniame skydelyje. Po to prijunkite kintamosios srovės adapterį prie sieninio lizdo. Kai prietaisas bus sėkmingai prijungtas, įrenginyje įsijungs raudonas šviesos diodas LED.

Baterijos įkrovimas: prijungtas prie nuolatinės srovės maitinimo įrenginys pradės krovimą. Kai įrenginys visiškai įkrautas, diodas LED galiniame įrenginio skydelyje šviečia žaliai. Baterijos įkrovo būseną galite patikrinti baterijos piktograma viršutiniame dešiniajame ekrano kampe. Įrenginys automatiškai išsijungia, kai baterija išsikrauna. Tada vėl prijunkite įrenginį įkrovimui.

Įrenginio įjungimas ir išjungimas: Paspauskite ir prilaikykite maitinimo mygtuką vieno viršutiniame skydelyje 2 sekundes, kad įjungtumėte / išjungtumėte įrenginį. Trumpas maitinimo mygtuko paspaudimas viršutiniame skydelyje arba su nuotolinio valdymo pultu gali įjungti / išjungti standby režimą (laikrodžio rodymas, be garso išvesties). Įjungus maitinimą ekranas apšviečiamas ir galima pradėti kitus veiksmus.

Pastabos:

- Pridėtas USB kabelis turi du kištukus - universalų USB ir microUSB. Universalus USB kištukas naudojamas kintamosios srovės adapteriui prijungti, o microUSB kištukas - nuolatinės srovės maitinimui prijungti prie įrenginio lizdo.
- Įrenginį galite maitinti tik su pridėtu srovės adapteriu arba su adapteriu, kurio nominalūs parametrai identiški.
- Išjungus maitinimą su maitinimo mygtuku viršutiniame įrenginio skydelyje, nuotolinio valdymo pultas negali jo įjungti, nes maitinimas išsijungia visiškai. Norėdami iš naujo įjungti įrenginį, dar kartą paspauskite maitinimo mygtuką viršutiniame skydelyje.
- Įkrovimo metu įrenginys gali atkurti garsą. Vieno pilno įkrovimo ciklo atveju rekomenduojama visiškai išjungti įrenginį.

Ekraną apšvietimo reguliavimas (dimeris)

Paspauskite "LIGHT" mygtuką nuotolinio valdymo pulte, norėdami nustatyti ekraną apšvietimo ryškumą tarp didelio / vidutinio ir žemo lygio.

Garsumo reguliavimas:

Paspauskite ir prilaikykite mygtuką „ankstesnis“ arba „sekantis“ viršutiniame skydelyje, kad padidintumėte arba sumažintumėte garsumo lygį dideliu greičiu; trumpas mygtuko „ankstesnis“ arba „sekantis“ paspaudimas betarpiškai po garsumo reguliavimo dideliu greičiu, leidžia reguliuoti palaipsniui; palikite mygtukus „ankstesnis“ arba „sekantis“ 3 sekundėms be tolesnio veiksmo, kad grįžtumėte prie jų naudojimo paskutinio arba sekančio kūrinio pasirinkimo režime.

Laiko nustatymai

Laikrodis: Įjunkite įrenginį, ir po to trumpai paspauskite maitinimo mygtuką, kad įeitumėte į laikrodžio nustatymų režimą. Trumpai paspaudus mygtuką "mode" tris kartus pradedamas laikrodžio nustatymas ir valandų skaičiai pradeda mirksėti ekrane; paspauskite mygtuką ankstesnis / sekantis, kad sureguliuotumėte valandą; paspauskite laikrodžio mygtuką, kad pereitite prie minučių nustatymų, arba prirėikus dar kartą paspauskite laikrodžio mygtuką, kad grįžtumėte į valandos nustatymus; paspauskite mygtuką ankstesnis / sekantis, kad sureguliuotumėte minutes, ir trumpai paspauskite maitinimo mygtuką, kad baigtumėte laikrodžio nustatymą.

Žadintuvas: Įjunkite įrenginį, po to trumpai paspauskite maitinimo mygtuką, kad įjuntumėte į žadintuvo nustatymus. Trumpas „mode“ mygtuko paspaudimas pradeda žadintuvo 1 nustatymą, o žadintuvo 1 piktograma (skambutis su skaičiumi 1) užsižiebia; paspauskite mygtuką ankstesnis / sekantis, kad sureguliuotumėte valandą; paspauskite laikrodžio mygtuką, kad pereiti prie minučių nustatymų, arba prirėikus dar kartą paspauskite laikrodžio mygtuką, kad grįžtumėte į valandos nustatymus; paspauskite mygtuką ankstesnis / sekantis, kad sureguliuotumėte minutes;; paspauskite laikrodžio mygtuką, kad pereiti prie žadintuvo šaltinio pasirinkimo, paspauskite mygtuką ankstesnis / sekantis, kad perjungti žadintuvo šaltinį pasirinkdami garsinius signalus / USB / microSD / radiją; trumpai paspauskite atkūrimo / pauzės mygtuką ir maitinimo mygtuką, kad patvirtintumėte ir užbaigtumėte žadintuvo nustatymą. Žadintuvo nr 2 nustatymo atveju paspauskite „mode“ mygtuką du kartus, kad įjungtumėte nustatymų programą. Toliau procedūra yra tokia pati kaip ir žadintuvo nr 1 nustatymų atveju.

Patarimai:

- Laikrodis ir žadintuvas veikia naudojant akumuliatorių arba prijungus prie maitinimo šaltinio. Ilgalaiakiam naudojimui rekomenduojame prijungti prie maitinimo tinklo.
- Kai įjungtas žadintuvas, paspauskite pasirinktą mygtuką išskyrus mygtuką ankstesnis / sekantis, kad išjungtumėte garso signalą. Žadintuvas, kitą dieną tą pačią valandą vėl suskambės. Žadintuvas skamba 5 minutės ir automatiškai išsijungia, jei nereikia toliau suveikti.
- Kai žadintuvas suveikia, trumpai paspauskite snaudimo mygtuką, kad įjungtumėte snaudimo režimą. Žadintuvas vėl suskambės po sekančių 5 minučių. Paspauskite pasirinktą kitą mygtuką, kad išjungtumėte snaudimą.
- Trumpas, vienas laikrodžio mygtuko paspaudimas viršutiniame skydelyje gali įjungti arba išjungti žadintuvą nr 1; trumpai paspaudus šį mygtuką du kartus, galima įjungti arba išjungti signalą nr 2; ilgas mygtuko paspaudimas gali vienu metu įjungti arba išjungti žadintuvą 1 ir žadintuvą 2.
- Jei pasirinksite USB / microSD / radiją kaip žadintuvo šaltinį, trumpai paspauskite atkūrimo / pauzės mygtuką, norėdami pamatyti, kuris kūrinys ar radijo stotis įjungtama kaip žadintuvo signalas, trumpai paspauskite mygtuką ankstesnis / sekantis, kad perjungti kūrinį ar radijo stotį, paspauskite atkūrimo / pauzės mygtuką, kad grįžtumėte į žadintuvo nustatymus.
- Kai pasirinksime atkūrimą kaip žadintuvo šaltinį, tai reiškia, kad vienetas automatiškai įjungs radiją / USB / microSD atkūrimą iš anksto nustatytu laiku. Trumpai paspausdami atkūrimo / pauzės mygtuką, galite perjungti žadinimo šaltinį tarp radijo / USB / microSD. Įrenginys įjungiamas 120 minučių laikui ir automatiškai išsijungia.
- Įsitikinkite, kad USB / microSD laikmenos su muzika yra teisingai prijungtos, jei kaip žadintuvo šaltinį pasirenkate USB / microSD.
- Žadintuvas taip pat prieinamas, kai įrenginys išjungtas (ekranas išjungtas).

Snaudimo funkcija Sleep: Sleep: Kai įrenginys veikia budėjimo režime (ekrane rodoma valanda), trumpas mygtuko play / pause paspaudimas suaktyvina miego režimo nustatymą, trumpai paspauskite mygtuką ankstesnis / sekantis, kad sureguliuotumėte miego režimo laiką tarp 15/30/45/60/75/90/120 minučių arba išjungimo režimo, trumpai paspauskite atkūrimo / pauzės mygtuką, kad patvirtintumėte pasirinkimą. Garso atkūrimo režime (radijas / USB / microSD / Bluetooth / aux) garsas automatiškai išjungiamas praėjus anksčiau nustatytam laikui. Sugrįžus į budėjimo režimą, trumpai paspauskite atkūrimo / pauzės mygtuką, kad patikrintumėte likusį miego funkcijos laiką.

FM radijo naudojimas

Įrenginys turi sulankstomą anteną, kad galėtumėte klausytis FM stočių. Prieš klausydamiesi FM stoties visiškai ištraukite anteną ir pastatykite imtuvą šalia lango, kad geriau gautumėte radijo signalą.

Įjunkite įrenginio maitinimą ir paspauskite „mode“ mygtuką viršutiniame skydelyje arba MODE mygtuką nuotolinio valdymo pulte, kol pasirodys radijo režimas.

1. Automatinis nustatymas ir stočių programavimas: trumpai paspauskite FM SCAN mygtuką arba paspauskite ir prilaikykite 3 sekundes atkūrimo/pauzės mygtuką nuotolinio valdymo pulte arba viršutiniame skydelyje, kad pradėtumėte automatinį FM radijo stočių skenavimą ir išsaugojimą. Įrenginys gali išsaugoti iki 60 stočių.

2. Automatinis skenavimas: paspauskite ir prilaikykite ankstesnio ir sekančio kūrinio mygtuką arba nuotolinio valdymo pulte, kad automatiškai nuskenuoti prieinamas stotis į viršų arba žemyn. Įrenginys sustos ir automatiškai įjungs prieinamą stotį. Paspauskite SAVE mygtuką nuotolinio valdymo pulte, kad išsaugoti esamą stotį.

3. Rankinis stočių programavimas: Naudodami automatinį skenavimą pasirinkite mėgstamą radijo stotį, po to paspauskite nuotolinio valdymo pulte mygtuką SAVE, kad įvestumėte ją į atmintį. Trumpai paspauskite mygtuką „REPEAT“ nuotolinio valdymo pulte, po to paspauskite garsumo + arba - mygtuką nuotolinio valdymo pulte, kad pakeistumėte radijo dažnį 0,1 MHz, paspauskite mygtuką "SAVE", kad rankiniu būdu išsaugotumėte esamą stotį; po 10 sekundžių be veikimo, garsumo reguliavimo mygtukai volume +/- atnaujins garsumo reguliavimo funkciją.

4. Automatiškai užprogramuotų silpno signalo stočių ištrynimai: jei automatiškai programuojant įrenginys atmintyje nustato silpno signalo programas, jas įmanoma ištrinti. Norėdami tai padaryti, stoties atkūrimo metu, ilgai paspauskite "0" mygtuką nuotolinio valdymo pulte. Stotis bus ištrinta, o kita programuojama stotis bus rodoma jos vietoje.

5. Tam tikros stoties nustatymas: kad nustatyti nurodyto dažnio stotį, paspauskite skaičių mygtukus nuotolinio valdymo pulte. Norėdami nustatyti 104,3 MHz dažnio stotį, nuotolinio valdymo pulte paspauskite skaičių mygtukus 1-0-4-3. Įrenginys sureguliuos ir atkurs šią stotį.

6. Užprogramuotų stočių pasirinkimas: trumpai paspauskite ankstesnio arba sekančio kūrinio mygtuką priekiniame skydelyje arba nuotolinio valdymo pulte, norėdami pasirinkti užprogramuotą stotį; taip pat galite pasirinkti stotį paspausdami nuotolinio valdymo pulto skaičių mygtukus. Norėdami klausytis užprogramuotos stoties nr 12, paspauskite skaičių mygtukus 1-2 nuotolinio valdymo pulte; stotis bus atkuriamą.

Atkūrimas iš USB atmintinės/microSD kortelių

Prieš pradėdami atkūrimą MP3, įsitikinkite, kad prie USB jungties prijungta USB atmintinė arba į įrenginio gale esantį lizdą įdėta microSD kortelė. MP3 muzikos failai turi būti nukopijuoti į atminties įrenginius. Šis įrenginys palaiko atmintis iki 32 GB talpos.

1. Paspauskite MODE arba M mygtuką, norėdami pereiti prie USB arba microSD kortelės atkūrimo režimo. Įrenginys automatiškai suranda muziką ir pradeda atkūrimą, kai rodomas bendras failų skaičius.

2. Trumpai paspauskite ankstesnio arba sekančio kūrinio mygtuką, norėdami pasirinkti ankstesnį ar sekantį kūrinį; paspauskite ir prilaikykite ankstesnio arba sekančio kūrinio mygtuką, nuotolinio valdymo pulte, kad greitai pervynioti kūrinį atgal arba pirmyn.

3. Paspauskite nuotolinio valdymo pulto skaičių mygtukus, kad greitai pasirinktumėte ir atkurtumėte kūrinį su tam tikru numeriu.

4. Trumpai paspauskite nuotolinio valdymo pulto mygtuką REPEAT, kad pasirinktumėte kartojimo režimą: vieno kūrinio, visų kūrinių arba atsitiktinio atkūrimo. Paspauskite ir prilaikykite play/pauzės mygtuką priekiniame skydelyje 3 sekundes, kol gausite tą pačią operaciją.

5. Jei norite pakartoti tam tikrą dainos dalį, paspauskite mygtuką REPEAT ir laikykite jį nuspaudę 3 sekundes, kol ekrane pasirodys simbolis P-A, kad pasirinktumėte dalies pradžią; po to paspauskite ir prilaikykite mygtuką REPEAT 3 sekundes, kol pasirodys simbolis P-b, kad pasirinktumėte pabaigą. Įrenginys pakartos pasirinktą dalį. Paspauskite ir prilaikykite mygtuką REPEAT, kol ekrane pasirodys simbolis P-E; tai panaikins pakartojimo funkciją.

6. MP3 failų atkūrimo metu trumpai paspauskite mygtuką EQ nuotolinio valdymo pulte, kad pasirinktumėte ekrano ekvalaizerio nustatymą: NORMAL/ROCK/POP/CLASS/JAZZ/BASS.

Pastabos:

a. Nerekomenduojama naudoti USB pratęsimo laido, nes jis veikia audio signalo kokybę ir trikdžių (triukšmo) atsiradimą.

b. Prietaisas automatiškai nuskaitys failus tik prijungus USB atmintinę arba įdėjus microSD kortelę.

AUX IN įvesties palaikymas (Mp3 susijungimai)

Prijunkite vieną komplekte esančio 3,5 mm-3,5 mm stereo kabelio galą prie AUX IN lizdo galiniame įrenginio skydelyje, o kitą galą prie išorinio grotuvo (pvz. MP3 grotuvo). Radijo grotuvo darbo režimas automatiškai pakeičiamas į AUX IN. Pasirinkite išoriniame grotuve muziką ir pradėkite jos atkūrimą. Garsiakalbis atkurs muziką.

Grotuvas prijungtas prie AUX IN įvesties valdomas jo mygtukais. AUX IN režime galite naudoti garso reguliavimo ir atkūrimo/pauzės mygtukus.

Specifikacija:

Maitinimo šaltinis: DC IN 5V / 600mA

3.7V / 1800mA (baterijos talpa)

RMS Išėjimo galia: 2 x 2,5 W RMS.

FM dažnis: 87,5 ~ 108,0 MHz.

USB vardiniai duomenys: 150 mA.

Vartojamoji galia: 9,5 W

Galios sąnaudos parengties režime: <0,5 W

Gamyklos nustatymai:

Sistemos laikas: 00:00

Laiko formatas: 24 valandos.

Miego laikas: išjungtas

Žadintuvo signalo trukmė: 5 minutės

Garsumas: 15

(Nurodytos specifikacijos gali būti keičiamos be įspėjimo)

Trikčių šalinimas

1. Ekranas neįsijungia.

- Patikrinkite, ar nuolatinės srovės maitinimas yra tinkamai prijungtas.
- Paspauskite ir prilaiykite maitinimo mygtuką 3 sekundes, kad įjungtumėte įrenginį.
- Jei problema išlieka, kreipkitės į vietinę paslaugų punktą.

2. Nepakankama radijo stoties garso kokybė.

- Kad gautumėte geriausią priėmimą, įrenginį pastatykite prie lango.
- Prisijunkite prie kitos radijo stoties.
- Jei problema išlieka, kreipkitės į vietinę paslaugų punktą.

3. Nepatenkinama garso kokybė atkuriant iš USB atmintinės arba microSD kortelės.

- Įsitikinkite, kad USB atmintinė ir microSD kortelė gerai prijungtos/įdėtos.
- Jei problema išlieka, išjunkite ir įjunkite radijo grotuvo maitinimą.
- Jei problema išlieka, kreipkitės į vietinę paslaugų punktą.

POMEMBNA POROČILA O VARNOSTI



POZOR



NEVARNOST ELEKTRIČNEGA
UDARA NE ODPIRATI

Pomembna poročila o varnosti

Pozor:

Da bi zmanjšali nevarnost električnega udara, ne razstavljajte pokrova in zadnjega dela naprave. Znotraj naprave ni elementov, ki bi jih lahko uporabnik samostojno popravil. Vzdrževalna dela in popravila lahko opravljajo le usposobljeni serviserji.

Razlaga grafičnih simbolov:



Simbol strele s puščico na koncu, v enakostraničnem trikotniku opozarja uporabnika na neizolirano »nevarno napetost« v ohišju naprave. Napetost lahko doseže vrednost, ki predstavlja tveganje električnega udara.



Klicaj v enakostraničnem trikotniku opozarja uporabnika na pomembne informacije o uporabi in vzdrževanju naprave, ki jih vsebuje dokumentacija, priložena napravi.

Prosimo, da pred uporabo naprave preberete ta navodila, da bi se seznanili s funkcijami naprave in jo uporabljali skladno z namenom. S tem lahko zagotovite dolgotrajno, nemoteno in prijetno uporabo naprave.

Pomembni podatki

- Shranite ta navodila za uporabo in poročila o varnosti, ker jih boste lahko potrebovali v prihodnosti.
- Ne dovolite, da se na napravo razlije oziroma nanjo kaplja tekočina.
- Naprave ne uporabljajte v vlažnih prostorih, kot je na primer kopalnica.
- Naprave ne smete namestiti na naslednji način:
- Naprava ne sme biti izpostavljena neposrednemu vplivu sončnih žarkov oz. se ne sme nahajati v bližini grelcev.
- Naprava se ne sme postaviti na drugo stereofonsko napravo, ki oddaja toploto.
- Naprava ne sme ovirati prežračevanja oz. se ne sme nahajati v zaprašenem prostoru.
- Naprava ne sme biti izpostavljena stalnim vibracijam.
- Naprava se ne sme nahajati v prostorih z visoko vlažnostjo.
- Naprava se ne sme nahajati v bližini sveč ali odprtega ognja.
- Napravo uporabljajte le na način, opisan v teh navodilih.
- Pred prvim vklopom napajanja se je treba prepričati, da je napajalnik pravilno priklopljen.
- USB-spomin se priklopi neposredno oz. s pomočjo USB-podaljška z dolžino do 25 cm.

Zaradi varnosti ni dovoljeno razstavljanje ohišja oz. pronicanje v notranjost naprave. Napravo lahko popravi le usposobljeno servisno osebje.

Ne razstavljajte in ne odpirajte ohišja naprave, kajti noter ni delov, ki bi jih lahko popravil uporabnik. Vzdrževalna dela in popravila lahko opravljajo le usposobljeni serviserji.

POROČILA O VARNOSTI

1. Preberite navodila za uporabo – pred uporabo naprave je treba prebrati vsa navodila za uporabo in poročila o varnosti.

2. Shranite navodila za uporabo – navodila za uporabo je treba shraniti za primer kasnejše uporabe.

3. Upoštevajte opozorila – ukrepajte skladno z vsemi opozorili, ki jih vidite na napravi ter z opozorili, omenjenimi v navodilih za uporabo.

4. Sledite navodilom – ukrepajte skladno z navodili za uporabo in nasveti za uporabnika.

5. Namestitev – napravo postavite skladno s proizvajalčevimi navodili.

6. Viri napajanja – napravo napajajte izključno iz virov, ki odgovarjajo parametrom, navedenim na napajalnem kablu. Če niste prepričani, kakšno napajanje imate doma, obrnite se na prodajalca naprave oz. lokalnega dobavitelja električne energije.

7. Ozemljitev in polarizacija napajanja – napravo lahko uporabljate brez ozemljitve. Prepričajte se, da je vtič v celoti nameščen v omrežni vtičnici oz. podaljšku, tako da se stiki ne vidijo. Nekatere različice naprave so lahko opremljene s polariziranim vtičem za izmenični tok (en stik je debelejši). Takšen vtič lahko vklopite v omrežno vtičnico le na en način. To je zavarovalna funkcija. Če vtiča ne morete vklopiti v vtičnico, ga poskusite obrniti. Če se vtič še vedno ne ujema z vtičnico, naj vam jo električar zamenja. Zavarovanja iz polariziranega vtiča ne smete odstranjevati. Če uporabljate podaljšek ali napajalni kabel, ki nista priložena napravi, se prepričajte, da imata ustrezne vtiče in potrdilo o varnosti, ki se zahteva v določeni državi.

8. Zavarovanje napajalnega kabla – napajalni kabel je treba namestiti na način, ki omejuje nevarnost poteptanja, pritiskanja oz. naključnega razrezanja. Bodite posebej pozorni na vtiče, omrežne vtičnice in mesta, kjer kabli izhajajo iz naprave.

9. Preobremenitev – preobremenitev zidnih vtičnic, podaljškov in električnih razdelilnikov ni dovoljena, saj lahko to privede do požara ali električnega udara.

10. Prezračevanje – napravo je treba pravilno prezračevati. Ne postavite je na posteljo, kavč ali podobne površine. Ne prekrivajte je s prti, robci, revijami idr.

11. Toplota – naprave ne postavite v bližino virov toplote, kot so grelci, sevalniki, peči in druge naprave (tudi ojačevalniki), ki oddajajo toploto. Na napravo ne postavite gorečih svečk in drugih virov odprtega ognja.

12. Voda in vlaga – da bi zmanjšali tveganje požara ali električnega udara, naprave ne izpostavite neposrednemu vplivu dežja, vode in vlage, na primer ne postavite je v savni ali kopalnici. Te naprave ne smete uporabljati v bližini vode, na primer zraven kadi, umivalnika, korita oz. škafo, v vlažni kleti oz. v bližini bazena (in podobnih mest).

13. Predmeti in tekočine v napravi – skozi odprtine v napravi ne potiskajte nobenih predmetov, saj se tisti predmeti lahko dotaknejo točk z nevarno napetostjo in s komponentami, kar lahko privede do požara oz. električnega udara. Nikakor ne razlijte nobenih tekočin na površino naprave. Na napravo ne smete postaviti predmetov, ki vsebujejo tekočine.

14. Čiščenje – preden začnete s čiščenjem, napravo vedno odklopite iz omrežne vtičnice. Prah, ki je okoli zvočnika, lahko obrišete s suho krpo. Če za čiščenje uporabljate aerosol, razpršilo usmerite na krpo, ne pa neposredno na napravo. Pazite, da se ne poškodujejo pogonske enote.

15. Dodatna oprema – ne uporabljajte pripomočkov, ki jih proizvajalec ne potrdi, ker lahko predstavljajo nevarnost.

16. Pripomočki – naprave ne postavite na nestabilen voziček, stojalo, stativo, konzolo ali mizo. Naprava se lahko prevrne in poškoduje, lahko tudi hudo poškoduje otroka ali odraslo osebo. Uporabite le vozičke, stojala, stative, konzole in mize, ki jih priporoča proizvajalec oz. ki se prodajajo skupaj z napravo. Namestitev naprave mora potekati skladno z navodili proizvajalca, ob uporabi montažnega seta, ki ga priporoča proizvajalec.

17. Prestavljanje naprave – napravo postavite na voziček in zelo previdno prestavite. Nenadna ustavitev vozička, prevelika moč oz. neravne površine lahko pripeljejo do prevrnitve vozička z napravo.

18. Obdobje mirovanja naprave – napajalni kabel je treba odklopiti iz omrežne vtičnice v primeru neviht s strelami oz. ko naprave ne boste dlje časa uporabljali.

19. Servisiranje – naprave ne smete servisirati samostojno. Po odpiranju ohišja je uporabnik izpostavljen visoki napetosti in drugi nevarnosti. Vzdrževalna dela in popravila lahko opravljajo le usposobljeni serviserji.

20. Ko naprave ne uporabljate, odklopite njen vtič iz omrežne vtičnice. Ko je naprava priklopljena na vir napajanja, ni nikoli popolnoma izklopljena, vendar je v stanju pripravljenosti.

21. Nadomestni deli – ob zamenjavi delov je treba preveriti, ali je serviser uporabil nadomestne dele proizvajalca oz. ali nadomestni deli ustrezajo originalnim delom. Uporaba nepotrjenih delov lahko privede do požara, električnega udara oz. drugih nevarnih razmer.

22. Glavne varovalke – da bi napravo trajno zavarovali pred požarom, uporabite varovalke ustrezne vrste in parametrov. Parametri varovalk glede napetosti so označeni na napravi.

23. Ne povečajte glasnosti ob poslušanju tihega posnetka oz. ko ni vhodnega zvočnega signala. Z nenadnim povečanjem intenzitete signala lahko poškodujete zvočnik.

24. Edini način popolnega odklopa naprave iz vira napajanja je odklop napajalnega kabla iz omrežne vtičnice oz. iz naprave. Omrežna vtičnica oz. vhod za napajalni kabel morata biti vedno dostopna med uporabo naprave.

25. Napravo je treba postaviti v bližini omrežne vtičnice oz. podaljška, na tak način, da je vtičnica vedno dostopna.

26. Maksimalna temperatura v prostoru, kje je naprava, je 35 °C.

27. Nasveti glede električnih razelektritev – če delovanje naprave motijo električne razelektritve, je treba napravo izklopiti in ponovno vklopiti oz. jo prestaviti na drugo mesto.

28, Baterija

- a. Baterije ne smejo biti izpostavljene vplivu prekomerne toplote, npr. sončnih žarkov, ognja idr.
- b. Pri odstranjevanju baterij je treba biti posebno pozoren na okoljevarstvena vprašanja.
- c. Opozorilo glede uporabe baterije: da se prepreči puščanje baterije, ki lahko privede do poškodb telesa oz. naprave:
 - Ob namestitvi baterij pazite na polarizacijo (+ in -).
 - Skupaj ne smete uporabljati novih in starih baterij, standardnih in alkalnih idr.
 - Če naprave več časa ne uporabljate, odstranite baterije.

Opomba glede ERP2 (naprav, povezanih z energijo)

Ta naprava z ekonačrtom izpolnjuje zahteve 2. etape Uredbe Komisije (ES) št. 1275/2008 o izvajanju Uredbe 2009/125/ES glede porabe energije o vzpostavitvi okvira za določanje zahtev za primerno okoljsko zasnovo izdelkov, povezanih z energijo.

OPOZORILO

Naprave ne smejo uporabljati osebe (vključno z otroki) z zmanjšano fizično, senzorično ali mentalno sposobnostjo ali brez izkušenj oz. znanja, razen če so pod nadzorom osebe, ki je odgovorna za njihovo varnost, oz. če so se poučile z navodili o varni uporabi naprave. Prisotnost odraslih je obvezna, če napravo uporabljajo otroci. S tem se lahko zagotovi varna uporaba naprave.

1. Vklapljene naprave ne sme pustiti brez nadzora! Napravo izklopite, tudi če naprava le nekaj časa počiva.

2. Naprave ne smete uporabljati preko zunanje ure s časovnim sistemom oz. preko ločenega sistema z daljinskim upravljanjem.

3. Da bi se izognili nevarnosti v primeru poškodovanja napajalnega kabla, zamenjave lahko opravi le proizvajalec, pooblaščen servisno podjetje oz. ustrezno usposobljen strokovnjak.

4. Pred začetkom uporabe naprave je treba preveriti, ali napetost naprave ustreza napetosti lokalnega električnega omrežja.

5. Prezračevalnih odprtin ne prekrivajte, npr. z revijami, prti, zavesami idr. Prepričajte se, da je nad napravo ohranjenega najmanj 20 cm prostega prostora, na straneh pa vsaj 5 cm.

6. Ne dovolite, da na napravo kaplja oz. da se nanjo razlije tekočina, na napravo ne postavite predmetov s tekočino, npr. vaz.

7. Da se prepreči nastajanje požara ali nevarnost električnega udara, napravo zaščitite pred vročino, vplivom dežja, vlage in praha.

8. Naprave ne postavite v bližini katerih koli virov vode, npr. umivalnikov, kadi, pralnih strojev oz. bazenov. Napravo postavite na ravno in stabilno podlago.

9. Naprave ne izpostavite močnemu magnetnemu polju.

10. Naprave ne postavite neposredno na ojačevalnik ali sprejemnik.

11. Naprave ne postavite na vlažno mesto, ker ima vlaga negativni vpliv na električne komponente.

12. Ko napravo prestavite iz hladnega prostora v topel oz. vlažen prostor, lahko pride do kondenzacije vlage na leči znotraj predvajalnika. To lahko povzroči nepravilno delovanje naprave. Napravo pustite vklapljeno vsaj na eno uro, da vlaga izpari.

13. Naprave ne čistite s kemijskimi topili, ker se lahko na ta način poškoduje lakirana površina ohišja. Napravo obrišite s čisto, suho oz. rahlo navlaženo krpicico.
14. Med odklopom vtiča iz omrežne vtičnice je treba vedno vleči za vtič, nikoli za napajalni kabel.
15. Ko se vklopljena naprava uporablja v bližini vklopljenega TV-ja, lahko pride do motenj slike v obliki črt na zaslonu. To je odvisno od valov TV-prenosa. To ne pomeni, da naprava oz. TV ne delujeta pravilno. Če se vidijo črte, premaknite napravo stran od TV-ja.
16. Omrežni vtič se uporablja za odklop napajanja in zato mora biti vedno dostopen.
17. Da bi preprečili nevarnost izgube sluha, glasne glasbe ne poslušajte dlje časa.



POZOR



Izjava

S tem Blaupunkt Competence Center 2N-Everpol Sp. z o.o. izjavlja, da je ta naprava v skladu z zahtevami in drugimi ustreznimi določili uredbe 2014/53/EU. Celotno izjavo o skladnosti si lahko ogledate na spletni strani www.blaupunkt.com v zavihku izdelka.

Odgovorni subjekt: 2N-Everpol Sp. Z o.o.

Puławska 403A, 02-801 Warszawa, Polska

Telefon: +48 22 331 99 59, e-naslov: info@everpol.pl



Naprava je izdelana iz visokokakovostnih materialov ter komponent, ki se lahko reciklirajo in ponovno uporabijo.



Če je na napravi oznaka prekrížan zabochnik za odpadke, to pomeni, da za izdelek veljajo določila evropske smernice 2012/19/EU. Seznaniti se je treba z lokalnimi zahtevami za zbiranje električnih ter elektronskih odpadkov. Ukrepati je treba v skladu z lokalnimi predpisi. Izdelek se ne sme odstranjevati skupaj z navadnimi odpadki. Ustrezno odstranjevanje starega izdelka pomaga izključiti morebitne negativne učinke na okolje in človekovo zdravje.



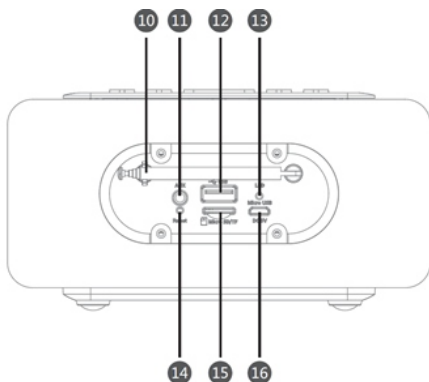
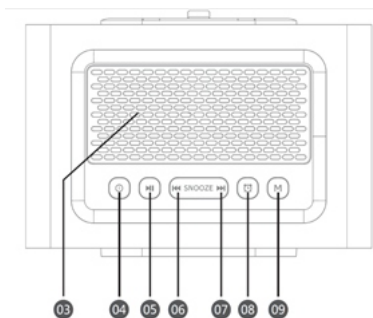
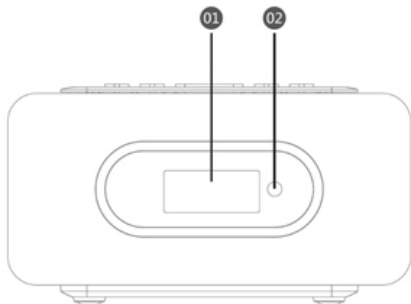
Naprava je opremljena z baterijo, ki jo določa evropska smernica 2013/56/EU. Baterija se ne sme odstranjevati skupaj z gospodinjskimi odpadki. Treba se je seznaniti z lokalnimi predpisi za ločeno zbiranje odpadnih baterij, ker le ustrezna odstranitev preprečuje morebitne negativne učinke za okolje in človekovo zdravje.

Podatki za varovanje okolja

Komplet vsebuje samo potrebne elemente. Prizadevali smo si, da bodo vsi trije elementi embalaže lahko odstranljivi: karton (škatla), polistirenska pena (zunanja zaščita) in polietilen (vreče, zaščitna plast). Naprava je izvedena iz materialov, ki se lahko reciklirajo, ter jih lahko po demontaži s strani strokovnega podjetja ponovno uporabljamo. Upoštevati je treba lokalne predpise za odstranjevanje embalaž, porabljenih baterij ter nepotrebnih naprav.

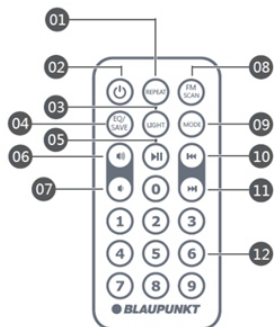
Za zapisovanje in predvajanje je treba obvezno pridobiti soglasje. Glej Zakon o avtorskih pravicah in pravicah izvajalcev/umetnikov.

Razporeditev upravljalnih elementov



- | | |
|---|--|
| 01 - Zaslon. | 02 - Senzor za daljinsko upravljanje. |
| 03 - Zvočnik. | 04 - Tipka za napajanje. |
| 05 - Tipka Play / Pause (Predvajanje / Pavza) omogoča predvajanje / ustavitev in utišanje. | |
| 06 - Tipka »prejšnji« / glasnost - tipka za izbiro prejšnjega posnetka in nastavitve glasnosti. | |
| 07 - Tipka »naslednji« / glasnost - tipka za izbiro naslednjega posnetka in nastavitve glasnosti. | |
| 08 - Tipka ure. | 09 - Tipka za USB / microSD / FM / AUX IN način predvajanja. |
| 10 - FM antena. | 11 - Vtičnica AUX IN. |
| 12 - Vtičnica za USB. | 13 - Indikator napajanja LED. |
| 14 - Ponastavitev sistema. 15 - Reža za microSD kartice. | |
| 16 - Vtičnica za napajanje DC5V | |

Daljski upravljalnik



- 01 - Tipka za ponovitev posnetka (ponovi vse, naključno in ponovi enkrat).
 02 - Tipka za vklop in izklop napajanja. 03 - Tipka LIGHT za nastavev jakosti osvetlitve.
 04 - Tipka EQ/SaVE za izbiro nastavev grafičnega izenačevalnika (deluje le v načinu predvajanja iz spomina USB/kartice microSD).
 05 - Tipka za predvajanje/ustavitev. 06 - Povečanje glasnosti.
 07 - Tipka za zmanjšanje glasnosti. 08 - Tipka za FM skeniranje.
 09 - Tipka načina delovanja za izbiro vira signala.
 10 - Tipka prejšnjega posnetka. 11 - Tipka naslednjega posnetka.
 12 - Številčne tipke (0-9).

Pozor!

- Pred začetkom uporabe daljinskega upravljalnika se je treba prepričati, da se v njem nahaja baterija Cr2025 ter da je uporabljena ustrezna polarizacija.
- Pred uporabo upravljalnika odstranite izolacijsko folijo.
- Porabljene baterije odstranite v za to namenjene zabojnike. O reciklaži porabljenih baterij se lahko posvetujete pri javni upravi.
- Opravnino območje daljinskega upravljalnika znaša 5 metrov (če ni ovir). Upravljalnik usmerite proti senzorju na sprednjem panelu.

Konfiguriranje in vklop/izklop naprave

Napajanje DC: Priklopite priložen USB kabel na omrežni napajalnik, drugi konec kabla pa priklopite na microUSB vtičnico na zadnjem panelu naprave. Nato priklopite omrežni napajalnik v vtičnico. Po uspešnem priklopu naprave sveti rdeča dioda LED.

Polnjenje akumulatorja: naprava se začne polniti po priklopu na napajanje s stalnim tokom. Ko je akumulator napolnjen, LED dioda na zadnjem panelu sveti zeleno. Status napoljenosti akumulatorja se lahko preveri s pomočjo ikone baterije v desnem zgornjem kotu zaslona. Ko je baterija prazna, se naprava samodejno izklopi. Takrat je treba napravo ponovno priklopiti na napajanje. opu napajanja zaslon zasveti in nato lahko začnete z drugimi opravili.

Vklop in izklop naprave: Pritisnite in za 2 sekundi držite tipko za napajanje na zgornjem panelu enote, da bi vklopili / izklopili napravo. Kratki pritisk na tipko za napajanje na zgornjem panelu ali daljinskem upravljalniku lahko vklopi / izklopi način standby (prikaz ure, brez zvoka). Po vklopu napajanja zaslon zasveti in nato lahko začnete z drugimi opravili.

Opombe:

- a. Priložen USB kabel ima dva vtiča - univerzalen USB vtič in vtič microUSB. Univerzalen USB vtič je namenjen priklopu omrežnega napajalnika, medtem ko je microUSB vtič namenjen priklopu napajanja s stalnim tokom v vtičnico na napravi.
- b. Naprava se lahko napaja le preko priloženega napajalnika oz. napajalnika z istimi nazivnimi parametri.
- c. Po izklopu napajanja s pomočjo tipke za napajanje na zgornjem panelu, naprave zaradi popolnega izklopa napajanja ni mogoče ponovno vklopiti z daljinskim. Za ponovni vklop naprave še enkrat pritisnite tipko za napajanje.
- d. Naprava lahko med polnjenjem predvaja posnetke. V primeru enkratnega polnega ciklusa polnjenja je priporočeno napravo popolnoma izklopiti.

Nastavitev osvetlitve zaslona (zatemnilnik)

Za nastavitev jakosti osvetlitve zaslona na visoko / srednjo ali nizko raven na daljinskem upravljalniku, oz na sprednjem panelu pritisnite tipko »LIGHT.

Nastavitev glasnosti:

Da bi hitro povečali ali zmanjšali glasnost, pritisnite in pridržite tipko prejšnji oz. naslednji na zgornjem panelu; kratek pritisk na tipko prejšnji oz. naslednji neposredno po nastavitvi glasnosti z veliko hitrostjo omogoča postopno nastavitev; 3 sekunde ne pritisnjate tipk prejšnji oz. naslednji za povrnitev na način izbire prejšnjega ali naslednjega posnetka.

Nastavitev časa

Ura: Vklopite napravo, nato na kratko pritisnite tipko za napajanje za prehod na nastavitev ure. Trije kratki pritiski na tipko »mode« sprožijo nastavljanje ure, številke ur utripajo na zaslonu: da bi izbrali uro, pritisnite tipko prejšnji / naslednji; pritisnite tipko ure za prehod na nastavitve minut, oz. po potrebi ponovno pritisnite tipko ure za povrnitev na nastavljanje ure, pritisnite tipko prejšnji / naslednji, da bi izbrali minute, nato na kratko pritisnite tipko za napajanje, da zaključite nastavljanje ure.

Alarm: Vklpote napravo, nato na kratko pritisnite tipko za napajanje za prehod na nastavitve alarma. Kratki pritisk na tipko »mode« začne nastavljanje alarma št. 1, ikona alarma št. 1 (zvonec s številko 1) sveti; pritisnite tipko prejšnji / naslednji, da bi nastavili uro; pritisnite tipko ure za prehod na nastavitve minut, oz. po potrebi ponovno pritisnite tipko ure za povrnitev na nastavitve ure; za nastavljanje minut pritisnite tipko prejšnji / naslednji; pritisnite tipko ure za prehod na izbiro vrste alarma, pritisnite tipko prejšnji / naslednji za preklp med zvočnimi signali / USB / microSD / radiem; ; kratko pritisnite tipko za predvajanje / ustavitev in tipko za napajanje, da bi potrdili in končali nastavljanje alarma.

V primeru, ko želite nastaviti alarm št. 2, dvakrat pritisnite tipko »mode«, da se vklopijo nastavitve. Nadaljnji postopek je enak kot pri nastavitvah alarma št. 1.

Nasveti:

- a. Ura in alarm bosta delovala v primeru napajanja z akumulatorjem in priklopa omrežnega napajanja. Ob dolgotrajni uporabi naprave priporočamo, da napravo priklopite na omrežno napajanje.
- b. Da bi izklopili zvok, pritisnite katero koli tipko razen tipk prejšnji / naslednji. Alarm se ponovno vklopi naslednji dan ob isti uri. Čas alarma je 5 minut, nato se alarm samodejno izklopi.
- c. Ko se alarm vklopi, kratko pritisnite tipko za dremež, da se aktivira način dremeža. Alarm se spet vklopi po poteku 5 minut. Za izklop dremeža pritisnite katerokoli drugo tipko.
- d. Kratki enkratni pritisk na tipko ure na zgornjem panelu lahko vklopi ali izklopi alarm št. 1; dvakratni kratki pritisk na to tipko lahko vklopi ali izklopi alarm št. 3; dolgi pritisk na tipko lahko zaenkrat izklopi alarma št. 1 in št.2.
- e. Če izberete USB / microSD / radio kot vrsto alarma, kratko pritisnite tipko za predvajanje / ustavitev, da bi prikazali, kateri posnetek oz. katera postaja se vklopi ob vklopu alarma, kratko pritisnite tipko prejšnji / naslednji, da bi preklpili med posnetki ali postajami, pritisnite tipko za predvajanje / ustavitev za povrnitev na nastavljanje alarma.
- f. Izбира predvajanja kot vira alarma pomeni, da ob vnaprej določeni uri enota samodejno vklopi predvajanje radia / USB / microSD. Kratki pritisk na tipko za predvajanje / ustavitev omogoča preklp med radiem / USB / microSD. Naprava se vklopi na 120 minut in nato samodejno izklopi.
- g. Prepričajte se, da so USB / microSD nosilci z glasbo pravilno priklopljeni, če ste izbrali USB / microSD kot vrsto alarma.
- h. Alarm je na voljo tudi, ko je naprava izklopljena (zaslon je ugasnjen).

Funkcija mirovanja Sleep: Sleep: Ko je naprava v stanju pripravljenosti (na zaslonu prikazana ura), kratek pritisk tipke play / pause vklopi nastavitve funkcije mirovanja, na kratko pritisnite tipko prejšnji / naslednji za nastavljanje časa trajanja mirovanja: 15/30/45/60/75/90/120 minut oz. izklopljen način, na kratko pritisnite tipko za predvajanje / ustavitev za potrditev izbire. V načinu predvajanja (radio / USB / microSD / Bluetooth (aux), se zvok samodejno izklopi po vnaprej določenem času. Po vrnitvi v stanje pripravljenosti, na kratko pritisnite tipko za predvajanje / ustavitev, da bi preverili preostali čas.

Uporaba FM radia

Naprava je opremljena z zložljivo anteno za poslušanje FM postaj. Pred začetkom poslušanja FM postaj je treba popolnoma raztegniti anteno in sprejemnik postaviti v bližino okna, da se omogoči sprejem kakovostnega radijskega signala.

Vklopite napajanje naprave in pritisčajte tipko »mode« na zgornjem panelu oz. tipko MODE na daljinskem upravljalniku, dokler se ne pokaže način radia.

1. Avtomatsko prilagajanje in programiranje postaj: na kratko pritisnite tipko FM SCAN oz. pritisnite in 3 sekunde držite tipko za predvajanje / ustavitev na daljinskem upravljalniku, oz. na zgornjem panelu, da bi začeli samodejno pregledovanje in shranjevanje radijskih FM postaj. Naprava lahko shrani maksimalno 60 postaj.

2. Samodejno pregledovanje: pritisnite in držite tipko za prejšnji in naslednji posnetek na upravljalniku za samodejen pregled razpoložljivih postaj radijskega spektra. Naprava se ustavi in začne predvajati razpoložljivo postajo. Da bi shranili to postajo, pritisnite tipko SAVE na upravljalniku,

3. Ročno programiranje postaj: S pomočjo samodejnega pregledovanja izberite priljubljeno radijsko postajo in nato pritisnite tipko SAVE na daljinskem upravljalniku, da bi postajo shranili v spominu. Kratko pritisnite tipko »REPEAT« na daljinskem upravljalniku in nato pritisnite tipko za glasnost + oz. -, da bi spremenili radijsko frekvenco za 0,1 MHz, pritisnite tipko »SAVE« za ročno shranjevanje tekoče postaje; po poteku 10 sekund mirovanja tipke za nastavitev glasnosti volume +/- ponovno dobijo funkcijo nastavljanja glasnosti.

4. Brisanje samodejno programiranih postaj s šibkejšim signalom: v primeru, ko med samodejnim programiranjem radijskih postaj naprava uvede v spomin postajo s šibkim signalom, lahko to postajo zberišete. V ta namen je treba med predvajanjem šibkejše postaje na daljinskem upravljalniku več časa pritisniti tipko »0«. Postaja se zberiše, na njenem mestu pa se pojavi naslednja programirana postaja.

5. Priklic določene postaje: da bi nastavili postajo z določeno frekvenco, lahko pritisnete številčne tipke na daljinskem upravljalniku. Da bi nastavili postajo s frekvenco 104, MHz, na daljinskem upravljalniku pritisnite številčne tipke 1-0-4-3. Naprava se uglaši in začne s predvajanjem izbrane postaje.

6. Izbira programiranih postaj: da bi izbrali programirano postajo, na kratko pritisnite tipko za prejšnji ali naslednji posnetek na srednjem panelu oz. upravljalniku, postajo lahko izberete tudi s pritiskom na številčne tipke na upravljalniku. Da bi poslušali postajo št. 12, na daljinskem upravljalniku pritisnite številke tipke 1-2; naprava predvaja izbrano postajo.

Uporaba predvajanja iz spomina USB/kartice microSD

Pred začetkom predvajanja MP3 je treba preveriti, ali je USB spomin vklopljen v USB vtičnico, oz. ali je kartica microSD nameščena v reži na zadnji strani naprave. Glasbene datoteke MP3 se morajo nahajati na spominskih nosilcih. Ta naprava podpira spomine z kapaciteto do 32 Gb.

1. Pritisnite tipko MODE oz. M, da bi se prekllopili na način predvajanja iz USB spomina oz. microSD. Naprava samodejno zazna glasbo in začne s predvajanjem po prikazu skupnega številka datotek.
2. Da bi izbrali prejšnji oz. naslednji posnetek na kratko pritisnite tipko prejšnjega oz. naslednjega posnetka; pritisnite in držite tipko prejšnjega oz. naslednjega posnetka na daljinskem upravljalniku, za hitro hitro pomikanje nazaj ali naprej.
3. Za hitro izbiro in predvajanje posnetka z določeno številko pritisnite številčne tipke na daljinskem upravljalniku.
4. Da bi izbrali način ponavljanja, na kratko na daljinskem upravljalniku pritisnite tipko REPEAT: (ponovitev) enega posnetka, vseh posnetkov, oz. naključno ponavljanje. Pritisnite in za 3 sekunde držite tipko play/pause na sprednjem panelu, dokler ne priključite istega opravila.
5. Če želite ponavljati določen segment posnetka, pritisnite in pridržite za 3 sekunde tipko REPEAT, dokler se na zaslonu ne pojavi simbol P-A in pojavi možnost izbire začetka segmenta; nato pritisnite in za 3 sekunde držite tipko REPEAT, dokler se na zaslonu ne prikaže simbol P-B in možnost izbire konca segmenta. Naprava bo ponavljala izbran segment. Pritisnite in pridržite tipko REPEAT, dokler se na zaslonu ne pojavi simbol P-E; s tem bo funkcija ponavljanja preklicana.
6. Da vi izbrali nastavljanje grafičnega izenačevalnika, med predvajanjem MP3 datotek na daljinskem upravljalniku na kratko pritisnite tipko EQ na daljinskem upravljalniku. Izbirate lahko med NORMAL/ROCK/POP/CLASS/JAZZ/BASS.

Opombe:

- a. Uporaba USB podaljška ni priporočljiva, saj vpliva na kakovost avdio signala in nastajanje motenj (hrupa).
- b. Naprava samodejno prebere datoteke le po priklopu spomina USB ali namestitvi microSD kartice.

Uporaba AUX IN priključka (Mp3 povezava)

Priklopite en konec priloženega stereofonskega kabla 3,5 mm - 3,5 mm na vtičnico AUX IN na zadnjem panelu naprave, drugega pa priklopite na zunanji predvajalnik (npr. MP3 predvajalnik). Način delovanja radijskega snemalnika se spremeni s samodejnega na AUX IN. Izberite glasbo na zunanjem predvajalniku in začnite s predvajanjem. Zvočnik bo predvajal izbrano glasbo.

Predvajalnik, ki je priklopljen na AUX IN, upravljate s pomočjo tipk. V načinu AUX IN lahko uporabljate gumb za nastavljanje glasnosti ter tipko za predvajanje / ustavitev.

Specifikacija:

Vir napajanja: DC IN 5V / 600mA

3.7V / 1800mA (volumen baterije)

RMS Izhodna moč: 2 x 2,5 W RMS.

FM frekvenca: 87,5 ~ 108,0 MHz.

Nazivni podatki USB: 150 mA.

Poraba moči: 9,5 W

Poraba moči v stanju pripravljenosti: <0,5 W

Tovarniške nastavitve:

Sistemski čas: 00:00

Oblika prikaza časa: 24 ur.

Čas mirovanja: izklopljen

Čas alarma: 5 minut

Glasnost: 15

(Specifikacija se lahko spreminja brez predhodne najave)

Reševanje težav

1. Zaslona se ne vklopi.

- a. Preverite, ali je napajanje s stalnim tokom pravilno priklopljeno.
- b. Za vklop telefona pritisnite in 3 sekunde držite tipko za napajanje.
- c. Če to ne pomaga, se prosimo obrnite na lokalno servisno podjetje.

2. Nezadostna kakovost zvoka radijske postaje.

- a. Da bi sprejemali najboljši signal, postavite napravo v bližino okna.
- b. Uporabite drugo radijsko postajo.
- c. Če to ne pomaga, vas prosimo, da se obrnete na lokalno servisno podjetje.

3. Nezadostna kakovost zvoka ob predvajanju s spomina USB oz. kartice microSD.

- a. Prepričajte se, da sta spomin USB in microSD kartica pravilno nameščena/priklopljena.
- b. Če to ne pomaga, izklopite in vklopite napajanje radijskega snemalnika.
- c. Če to ne pomaga, vas prosimo, da se obrnete na lokalno servisno podjetje.



Competence Centre Audio
2N-Everpol Sp. z o.o.
ul. Puławska 403A
02-801 Warsaw, Poland
phone: +48 22 331 99 59
e-mail: info@everpol.pl
www.blaupunkt.com

W przypadku pytań lub problemów
prosimy o kontakt z naszym serwisem.
In case of questions or problems
please contact our service.
Tel. 00 48 22 331 99 53
E-mail: info@blaupunkt-audio.pl

Wszelkie prawa zastrzeżone. Wszystkie nazwy marek są zarejestrowanymi
znakami towarowymi należącymi do odpowiednich podmiotów.
Dane i parametry techniczne mogą ulec zmianie bez wcześniejszego uprzedzenia.

All rights reserved. All brand names are registered trademarks of their
respective owners. Specifications are subject to change without prior notice.

A solid dark blue horizontal bar spanning the width of the page, containing the text "Enjoy it." in white.

Enjoy it.